

Technische Daten/ Technical Data

KLUDI RENON, ECOPLUS
single lever basin mixer 110
DN 15

Ref.: 422890575

Finishes:
05 chrome

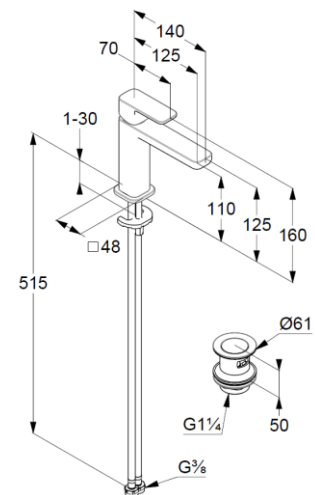
Product description
Manufacturer KLUDI GmbH & Co. KG
Typ: KLUDI RENON, ECOPLUS
single lever basin mixer 110
Ref.: 422890575

basin mixer
single lever mixer
1-hole mounted
solid lever, metal
aerator M18,5 PCA
ceramic cartridge with hot water safety device
middle position cold water
flow rate at 3 bar 4,5 l/min.
flexible hoses G $\frac{3}{8}$ DVGW approved
rapid installation set
push open waste G1 $\frac{1}{4}$

Produktabbildung/ Product picture



Maßzeichnung/ Dimensional drawing



Durchfluss/ Flow rate

