

## Technische Daten/ Technical Data

KLUDI sDIVE  
thermostat dual shower system 3 S  
DN 15

Ref.: 6807905-00

Finishes:  
05 chrome

Product description  
Manufacturer KLUDI GmbH & Co. KG  
Typ: KLUDI sDIVE  
thermostat dual shower system 3 S  
Ref.: 6807905-00

thermostatic shower mixer  
wall mounted  
with ceramic shut-off valve 90°/90°  
temperature handle with hot water safety at 38°C  
shower outlet G½  
protected against back flow  
with integrated back flow preventer  
S-unions G½ x G¾  
with dirt-catcher sieve  
with fixing material  
height-adjustable hand shower holder  
with horizontally and vertically adjustable pipe  
for wall mounting

hand shower 3 S  
flow rate at 3 bar 15 l/min.  
(with possibility of limiting to 9 l/ min.)  
3 spray pattern  
Body/Hair/Skin  
with cleaning system  
connection G½  
sieve seal

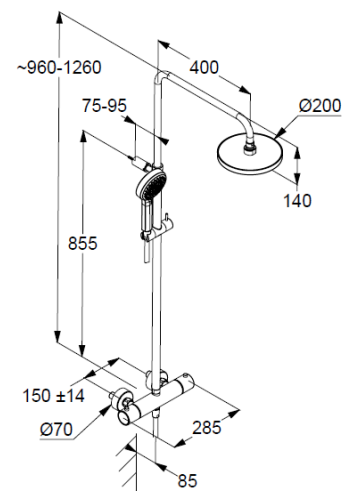
shower hose  
plastic coated  
with metal-effect  
with conical nuts  
anti twist  
G½ x G½ x 1600mm

head shower 1 S  
1 spray pattern  
with cleaning system  
connection G½  
with ball joint  
Ø 250mm  
sieve seal

### Produktabbildung/ Product picture



### Maßzeichnung/ Dimensional drawing



### Durchfluss/ Flow rate

