

Technische Daten/ Technical Data

KLUDI xDIVE
dual shower system
DN 15

Ref.: 6908005-00

Finishes:
05 chrome

Product description
Manufacturer KLUDI GmbH & Co. KG
Typ: KLUDI xDIVE
dual shower system
Ref.: 6908005-00

with horizontally and vertically adjustable pipe
protected against back flow
height-adjustable hand shower holder
with fixing material
for wall mounting
water supply with connecting hose
2-way ceramic diverter
without shower mixer

hand shower 3 S
flow rate at 3 bar 15 l/min.
(with possibility of limiting to 9 l/min.)
switch with button
3 spray pattern
Body/Hair/Skin
with cleaning system
connection G $\frac{1}{2}$
sieve seal

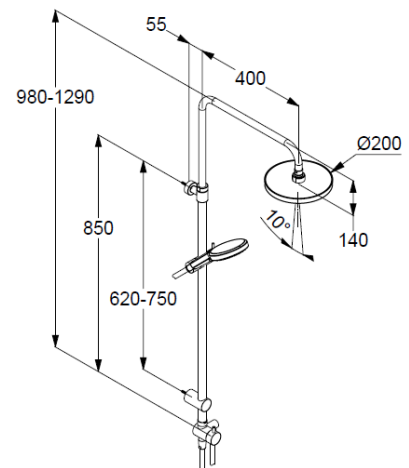
shower hose
plastic coated
with metal-effect
with conical nuts
anti twist
G $\frac{1}{2}$ x G $\frac{1}{2}$ x 1600mm

head shower
flow rate at 3 bar 15 l/min.
1 spray pattern
with cleaning system
connection G $\frac{1}{2}$
with ball joint
 \varnothing 250mm
sieve seal

Produktabbildung/ Product picture



Maßzeichnung/ Dimensional drawing



Durchfluss/ Flow rate

