

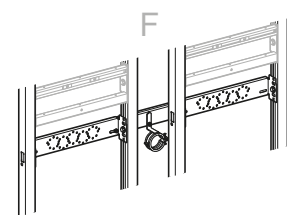
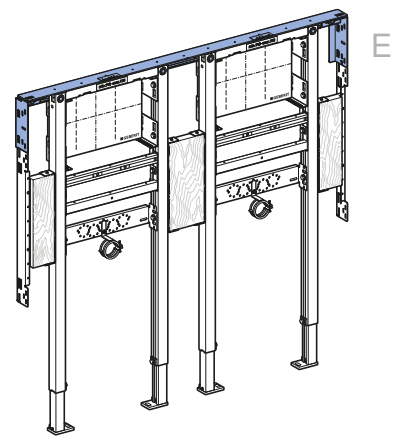
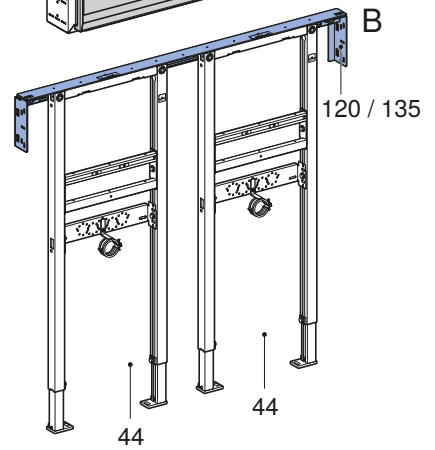
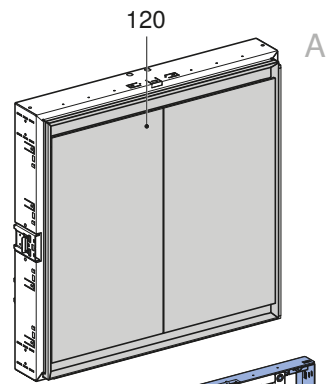
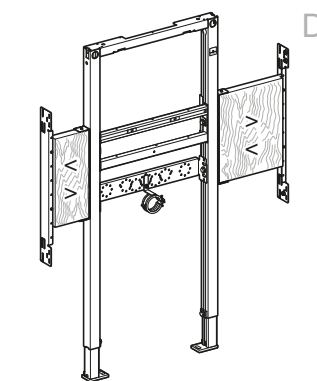
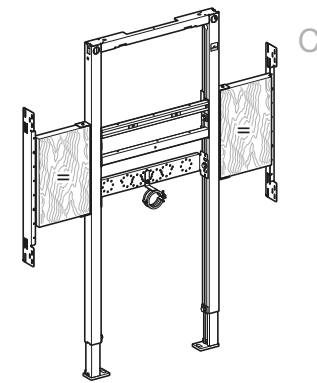
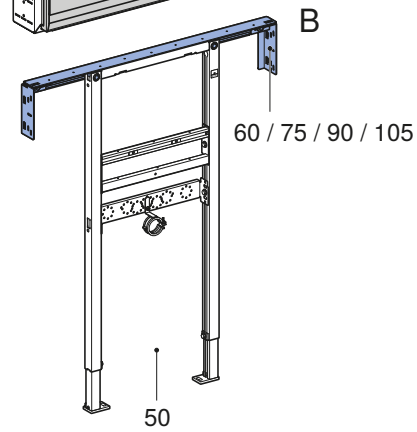
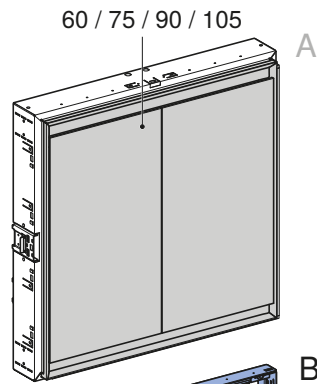
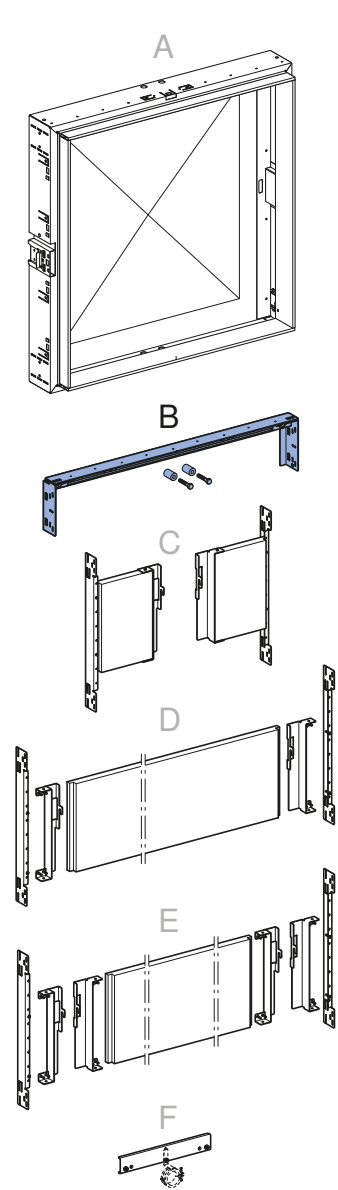
INSTALLATION MANUAL

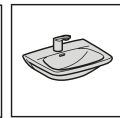
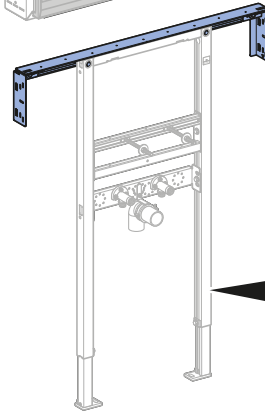
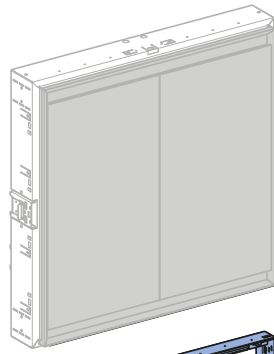
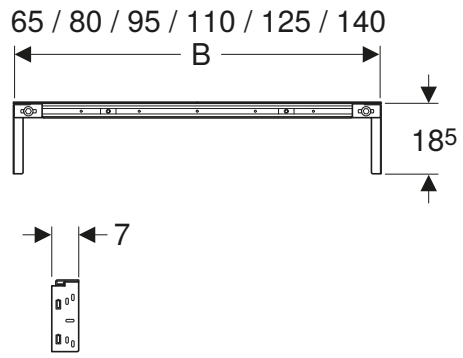
MONTAGEANLEITUNG
INSTRUCTIONS DE MONTAGE
ISTRUZIONI PER IL MONTAGGIO

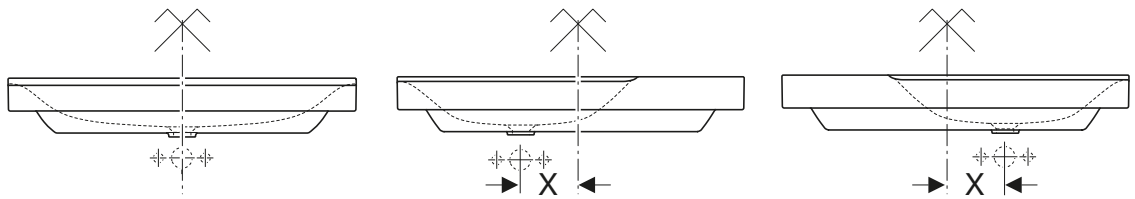
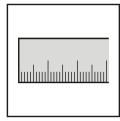


970.215.00.0(00)

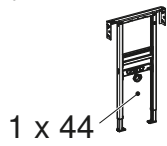




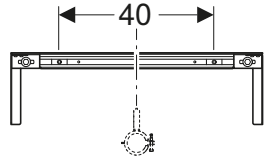




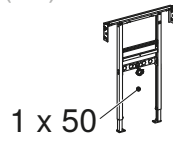
(60)



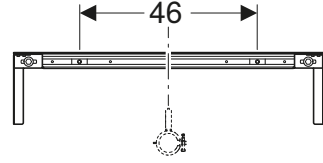
1 x 44



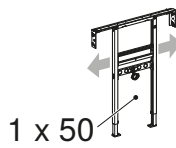
(75)



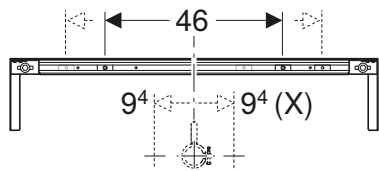
1 x 50



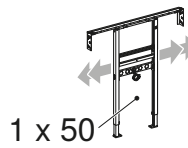
(90)



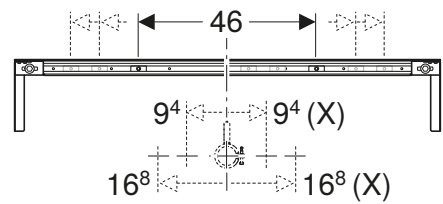
1 x 50



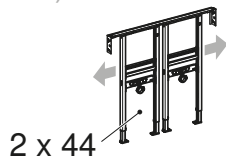
(105)



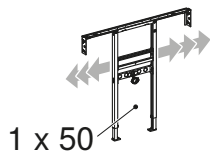
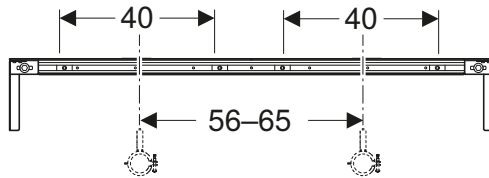
1 x 50



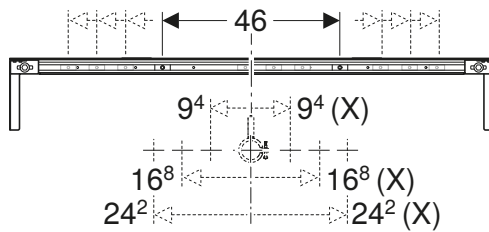
(120)



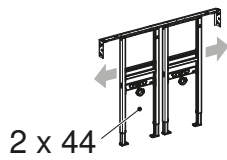
2 x 44



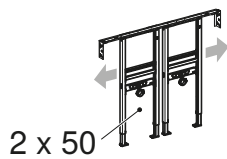
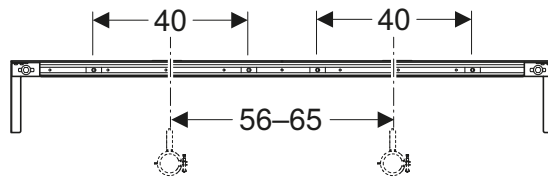
1 x 50



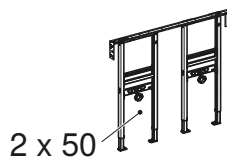
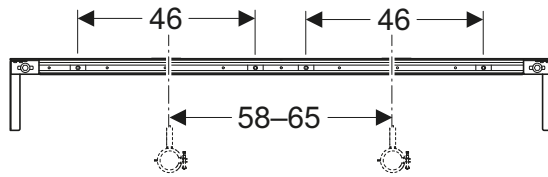
(135)



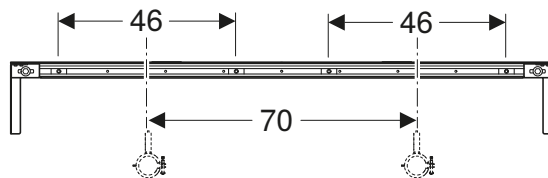
2 x 44



2 x 50



2 x 50

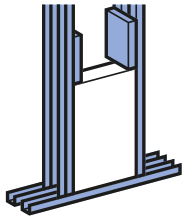




Duofix System



A 5

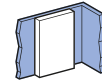


B 9

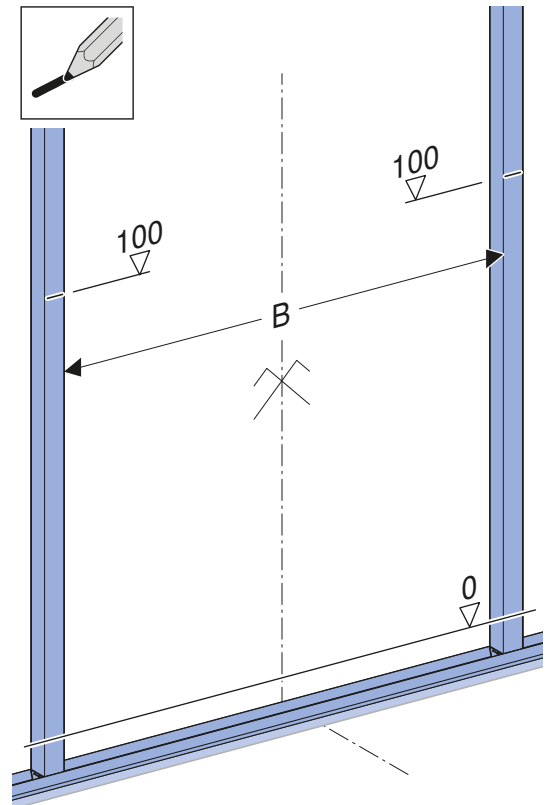
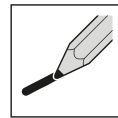
A



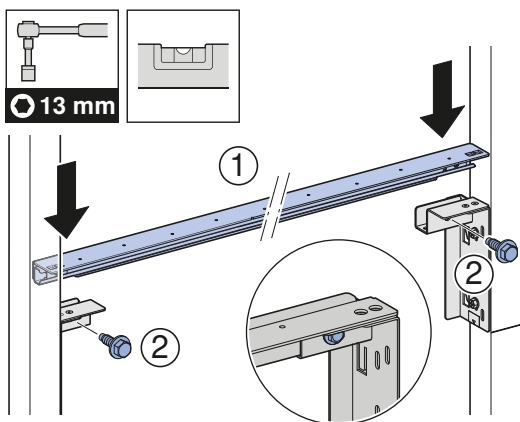
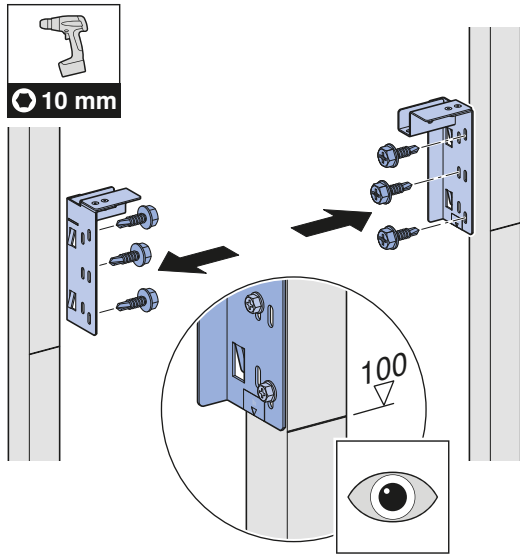
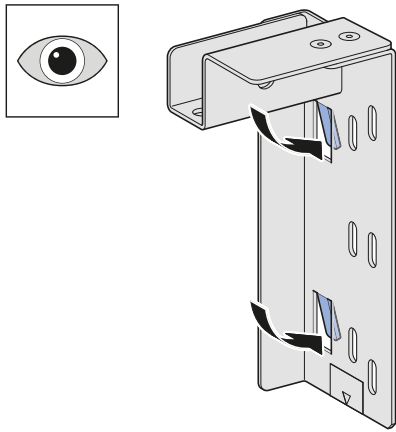
Duofix System



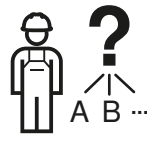
1



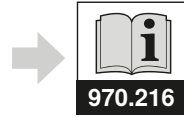
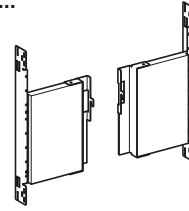
2



i

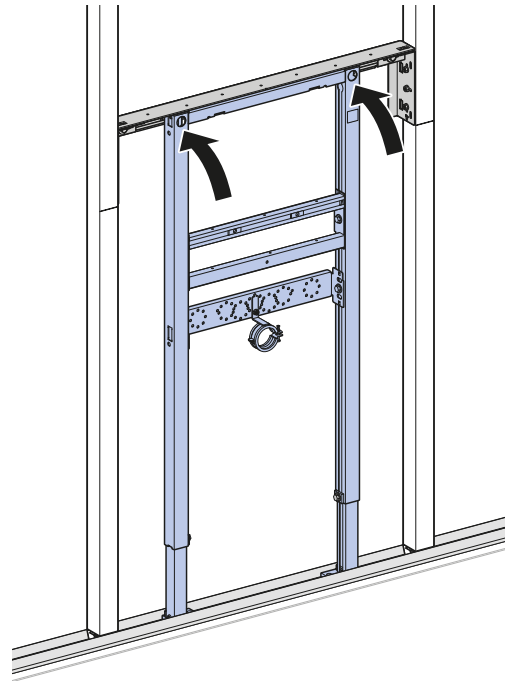


+

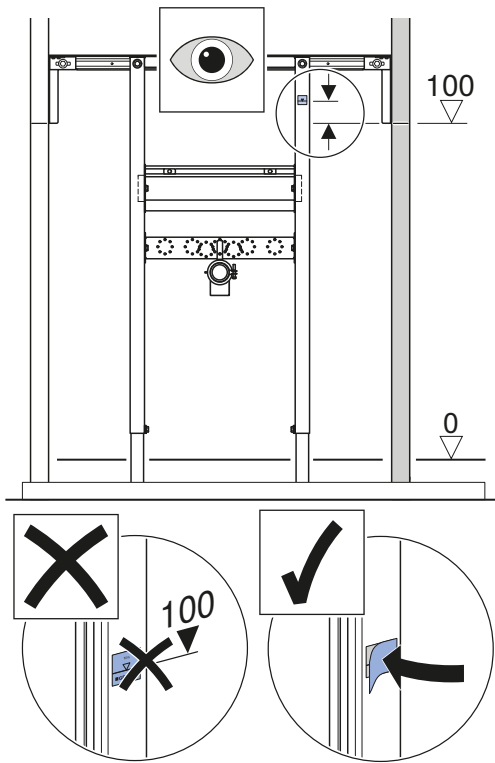


Installation Manual

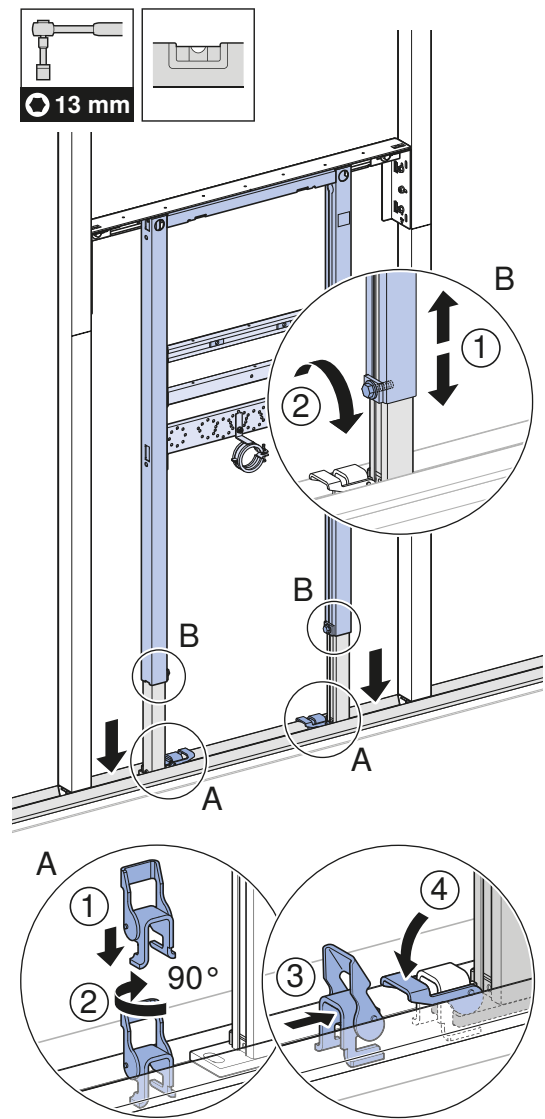
3



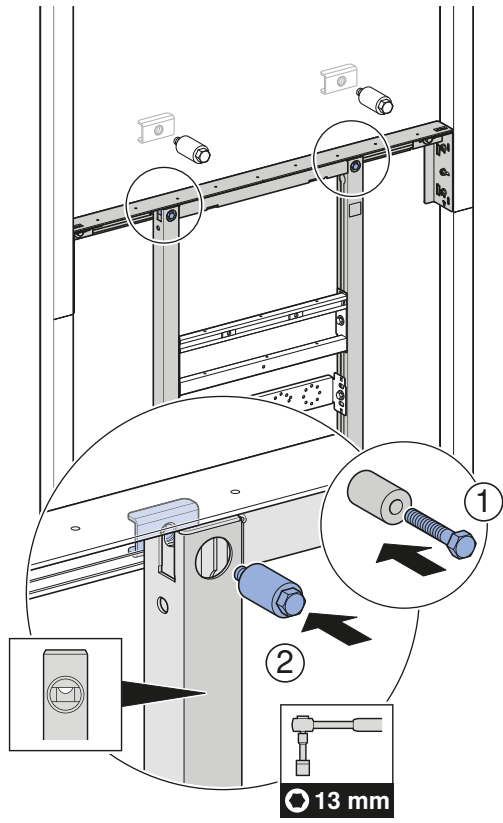
4



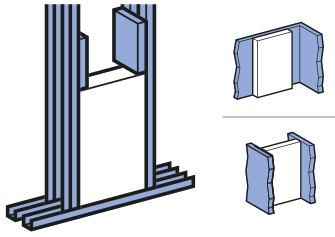
5



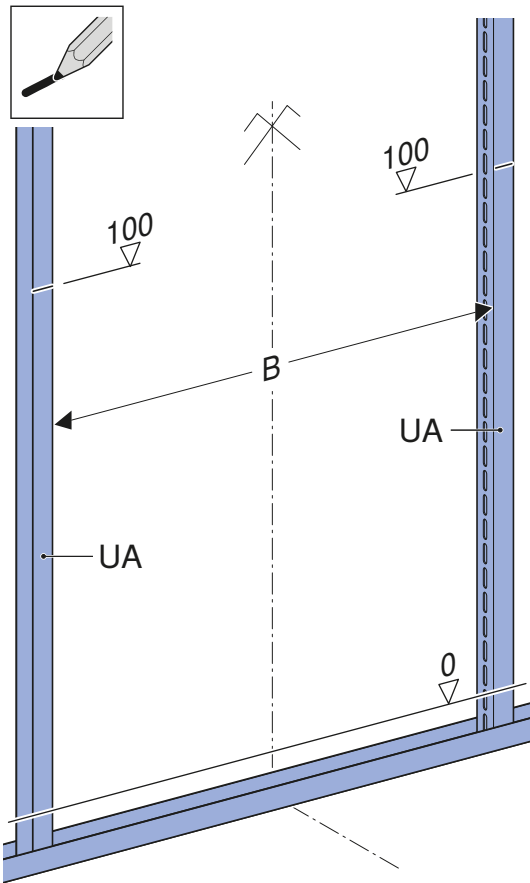
6



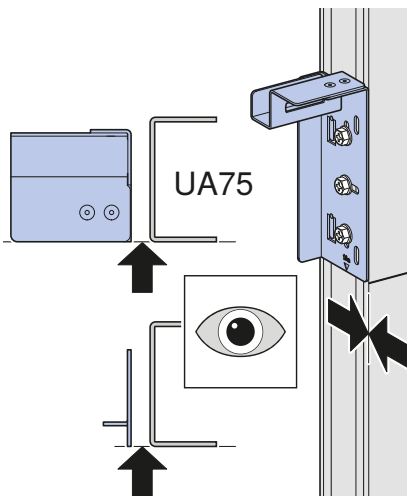
B



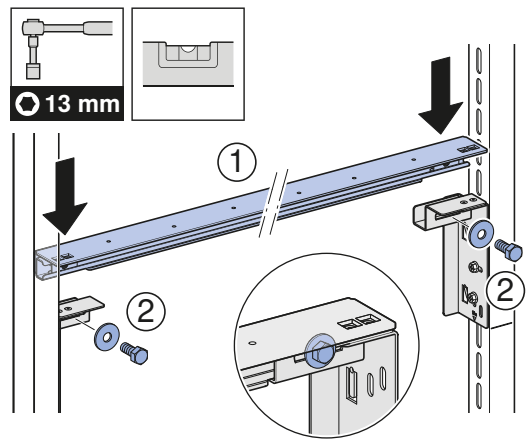
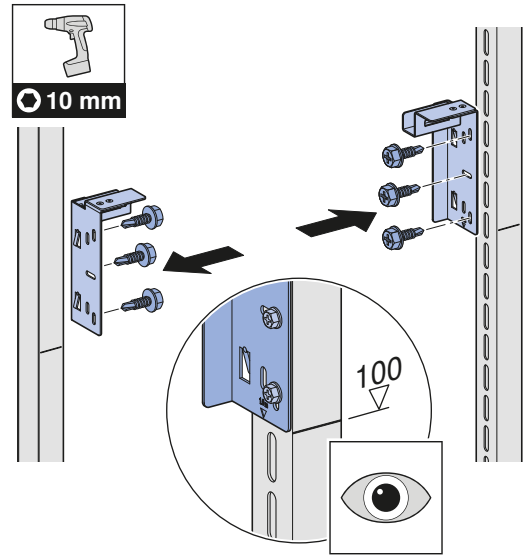
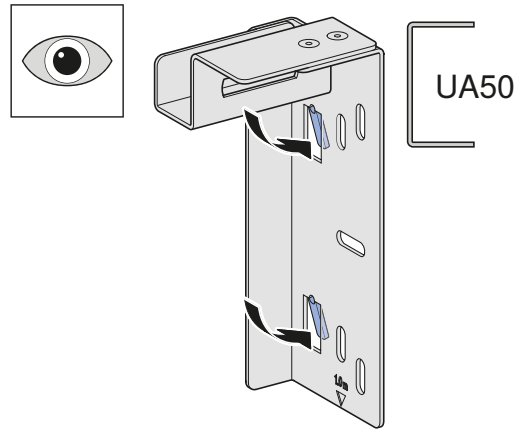
1



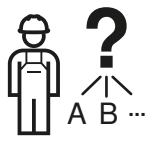
i



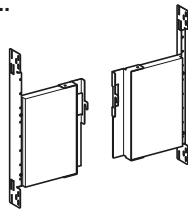
2



i

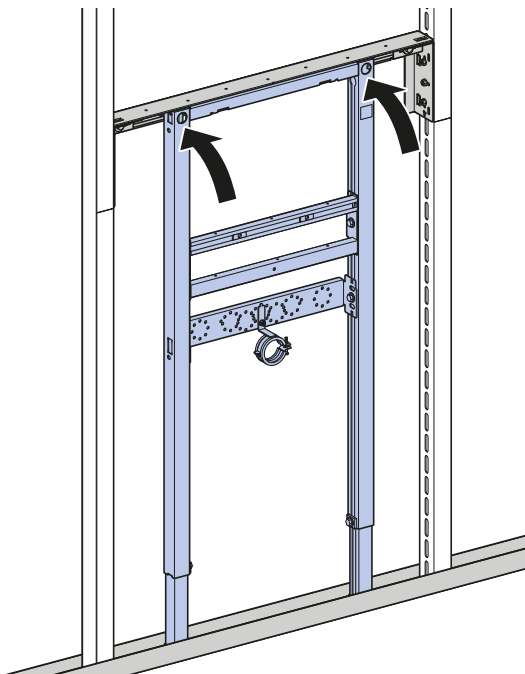


+

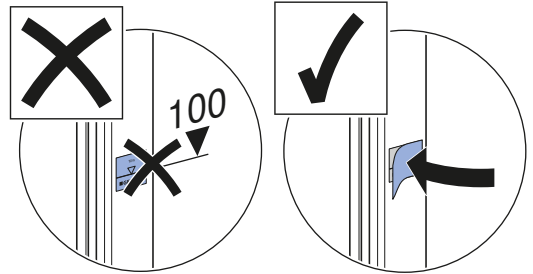
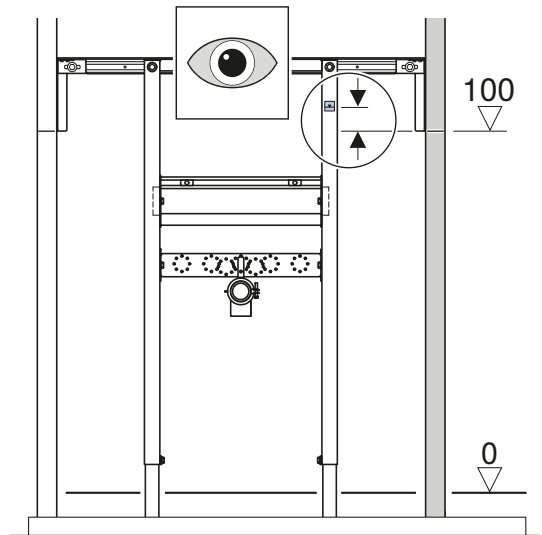


Installation Manual

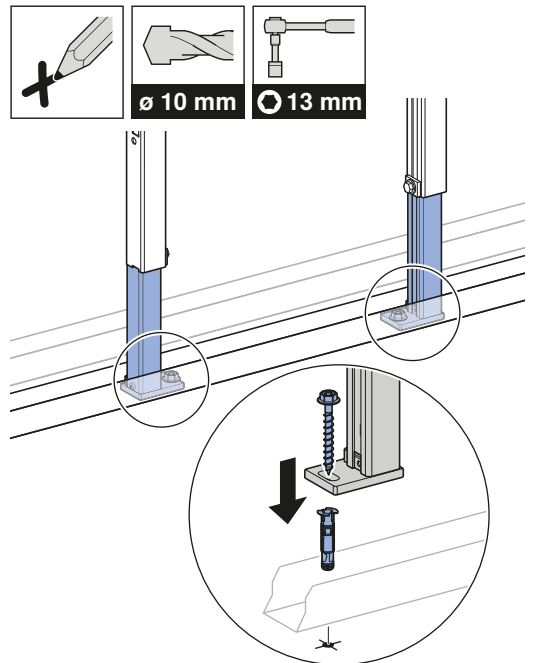
3



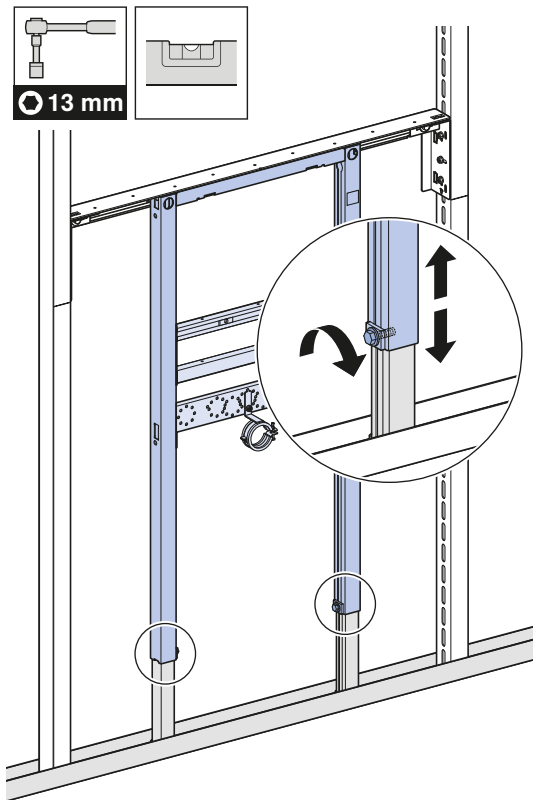
4



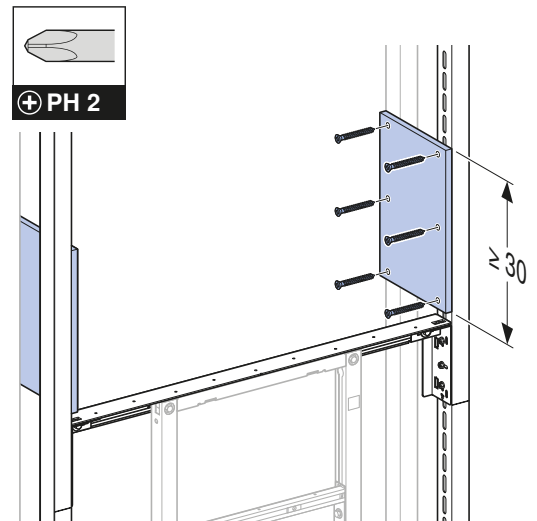
5



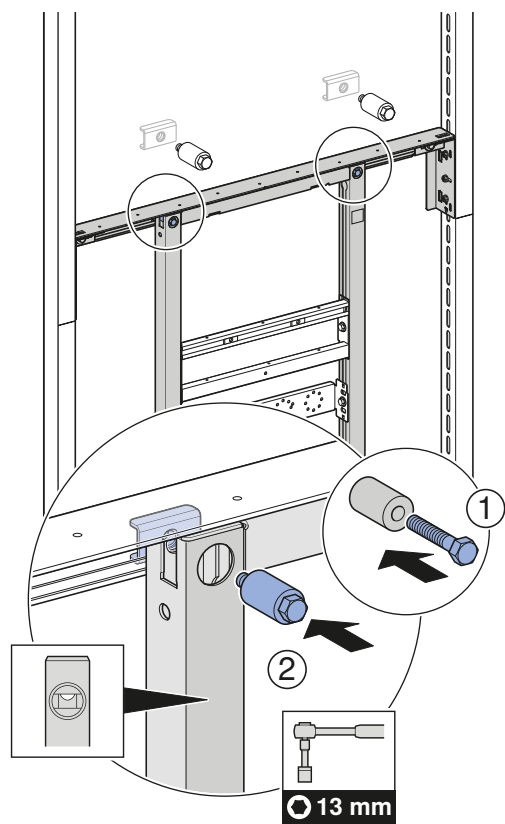
6



8



7



Geberit International AG
Schachenstrasse 77, CH-8645 Jona
documentation@geberit.com
www.geberit.com

