

Technische Daten/ Technical Data

KLUDI sDIVE
hand shower 3 S
DN 15

Ref.: 6883005-00

Finishes:
05 chrome

Product description

Manufacturer KLUDI GmbH & Co. KG

Typ: KLUDI sDIVE

hand shower 3 S

Ref.: 6883005-00

hand shower 3 S

flow rate at 3 bar 15 l/min.

(with possibility of limiting to 9 l/ min.)

3 spray pattern

Body/Hair/Skin

with cleaning system

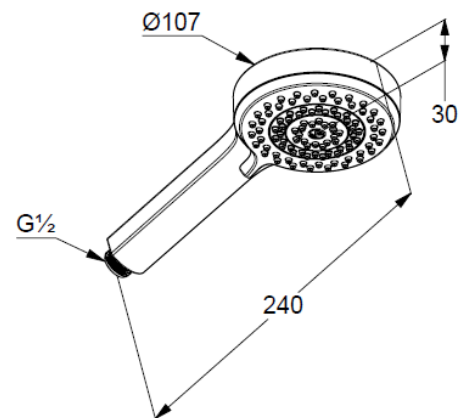
connection G $\frac{1}{2}$

sieve seal

Produktabbildung/ Product picture



Maßzeichnung/ Dimensional drawing



Durchfluss/ Flow rate

