

ANTAO SURFACE-MOUNTED WASHBASIN ASYMMETRIC

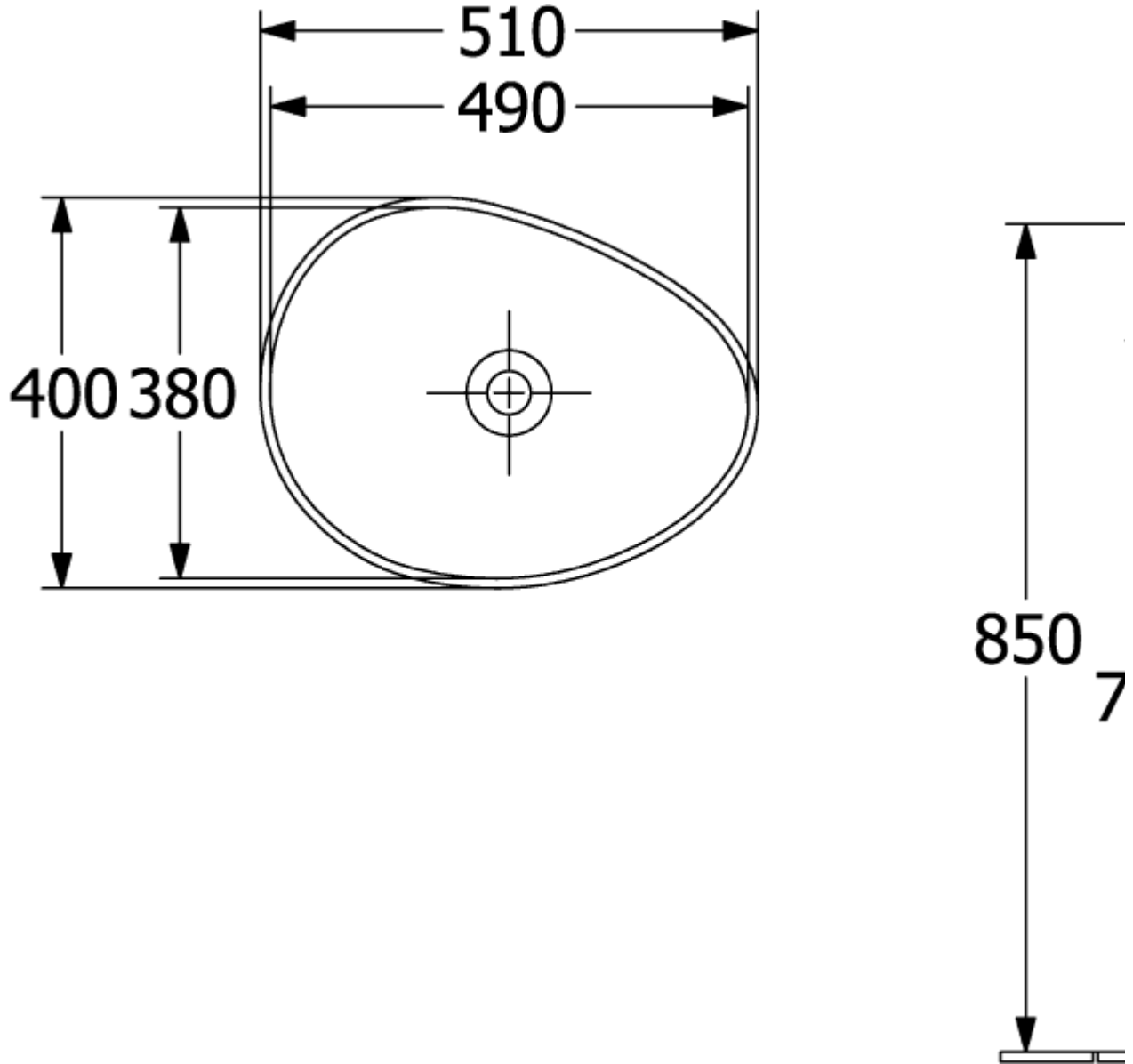
PRODUCT INFORMATION



| | |
|--------------------------------------|--|
| Article title | Villeroy & Boch Antao Surface-mounted washbasin, 510 x 400 x 146 mm, Pure Black CeramicPlus, without overflow |
| Article number | 4A7351R7 |
| Assembly / Assembly type | Surface-mounted |
| Scope of delivery | 1 x surface-mounted washbasin , 1 x fastening set 1 x cut-out template 1 x non-closing outlet valve with ceramic valve cover |
| Depth in mm | 400 |
| Width in mm | 510 |
| Height in mm | 146 |
| Interior depth | 115 |
| Collection | Antao |
| Suitable for | Wall-mounted tap fittings, Matching Villeroy&Boch furniture Tap fitting with raised base |
| Material | TitanCeram |
| surface | matt |
| Colour name | Pure Black CeramicPlus |
| With overflow | No |
| Shape | Asymmetric |
| Colour designation | Pure Black |
| Antibacterial surface (with AntiBac) | No |
| Easy surface cleaning (CeramicPlus) | Yes |
| Underside of washbasin | unpolished |
| Number of bowls | 1 |

TECHNICAL DRAWINGS

4A7351R7



4A7351R7

