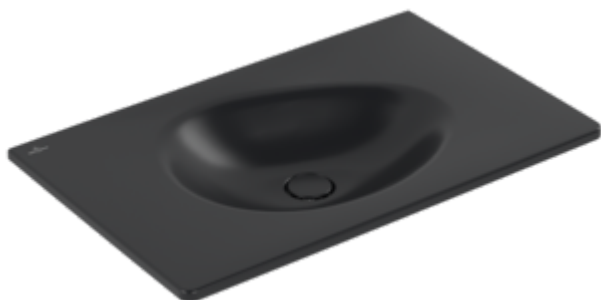


ANTAO VANITY WASHBASIN RECTANGLE

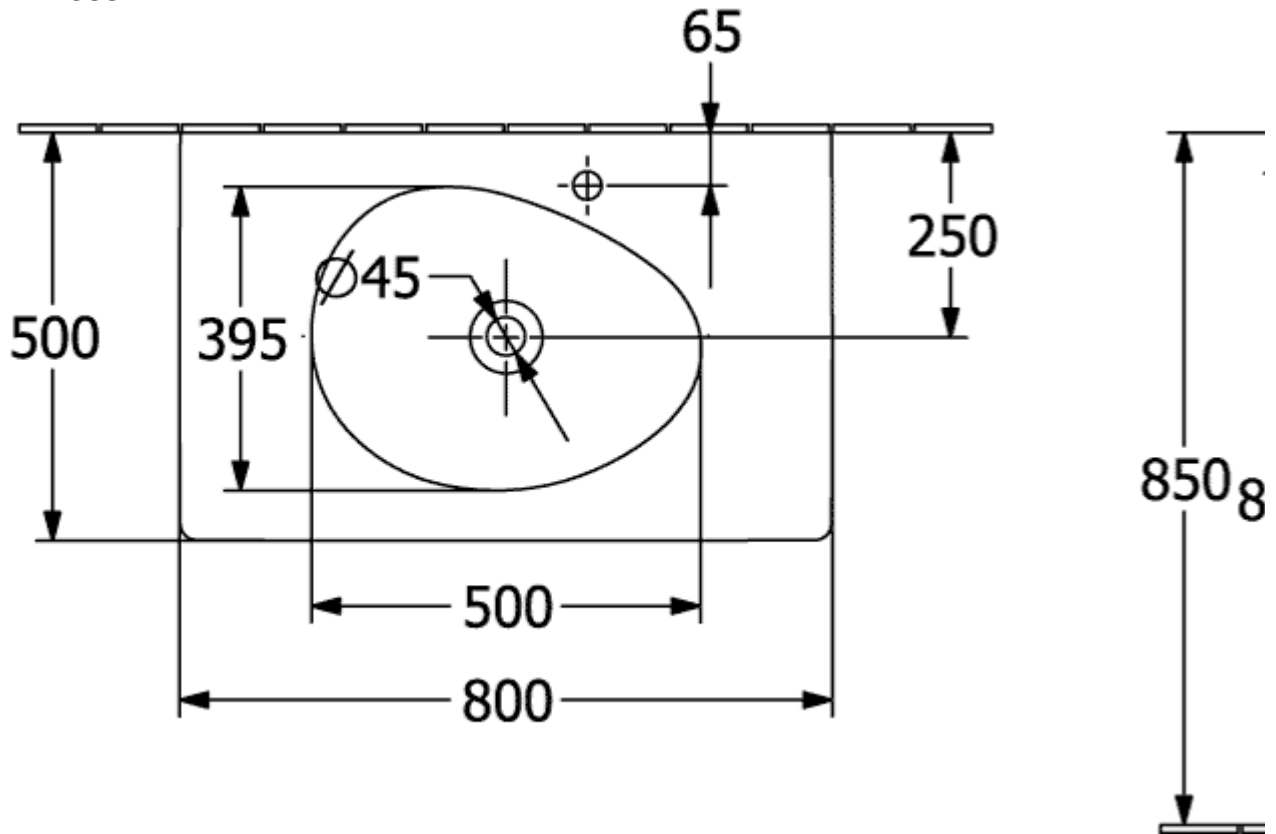
PRODUCT INFORMATION



Article title	Villeroy & Boch Antao Vanity washbasin, 800 x 500 x 150 mm, Pure Black CeramicPlus, without overflow
Article number	4A7583R7
Assembly / Assembly type	wall-mounted
Scope of delivery	1 x vanity washbasin , 1 x non-closing outlet valve with ceramic valve cover
Depth in mm	500
Width in mm	800
Height in mm	150
Interior depth	115
Collection	Antao
Tap fitting / Tap hole information	when using a wall-mounted tap fitting, we recommend a projection of at least 195 mm
Suitable for	without tap hole, Matching Villeroy&Boch furniture
Material	TitanCeram
surface	matt
Colour name	Pure Black CeramicPlus
With overflow	No
Shape	Rectangle
Colour designation	Pure Black
Antibacterial surface (with AntiBac)	No
Easy surface cleaning (CeramicPlus)	Yes
Number of bowls	1

TECHNICAL DRAWINGS

4A7583R7



4A7583R7

