

## Technische Daten/ Technical Data

KLUDI sDIVE  
hand shower 1 S  
DN 15

Ref.: 6881005-00

Finishes:  
05 chrome

### Product description

Manufacturer KLUDI GmbH & Co. KG

Typ: KLUDI sDIVE

hand shower 1 S

Ref.: 6881005-00

hand shower 1 S

flow rate at 3 bar 15 l/min.

(with possibility of limiting to 9 l/ min.)

1 spray pattern

with cleaning system

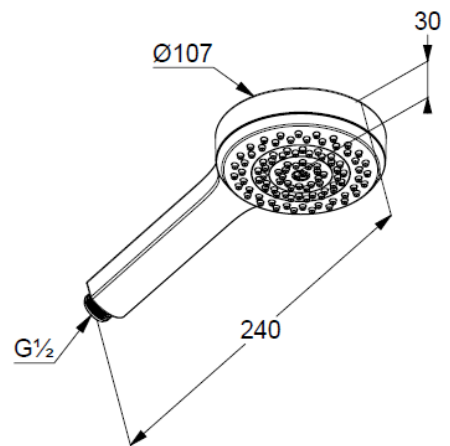
connection G $\frac{1}{2}$

sieve seal

### Produktabbildung/ Product picture



### Maßzeichnung/ Dimensional drawing



### Durchfluss/ Flow rate

