

Product: **KLUDI OBJEKTA single lever shower mixer DN 15**

Ref.: **327640575**

Product description

single lever shower mixer DN 15
 wall-mounted
 solid lever
 ceramic cartridge with hot water safety device
 flow rate 30 l/min at 3 bar
 shower connection 1/2 inch
 protected against back flow
 s-unions 1/2 x 3/4 inch
 noise group II, PA-IX 28194/IIB

Finishes:
 05 chrome

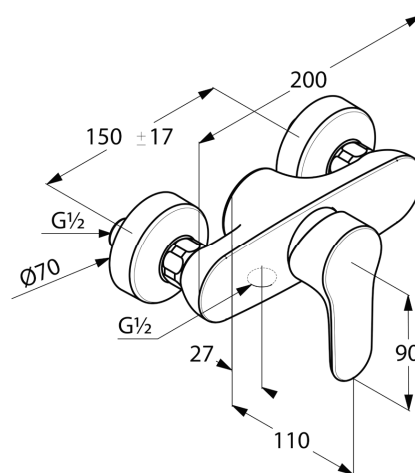
Product picture



Advertisement

single lever shower mixer, manufacturer KLUDI GmbH & Co. KG
 KLUDI OBJEKTA item no. 327640575
 type: single lever shower mixer, DN 15 / PN 10, chrome plated brass, solid lever
 chrome plated metal, ceramic cartridge K-41 with hot water safety device, flow rate
 at shower outlet 30 l/min at 3 bar, protected against back flow DIN EN 1717, shower
 connection 1/2 inch, concealed s-unions 1/2 x 3/4 inch
 noise level DIN 4109 noise group II, report no. PA-IX 28194/IIB
 dimensions: width: 200 mm, projection: 110 mm, lever projection: 90 mm, centers:
 150 mm

Dimensional drawing



Flow rate diagram

