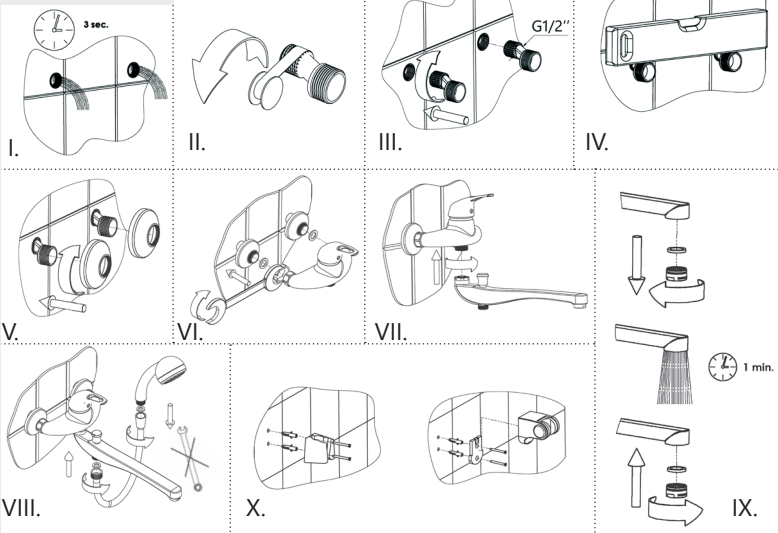
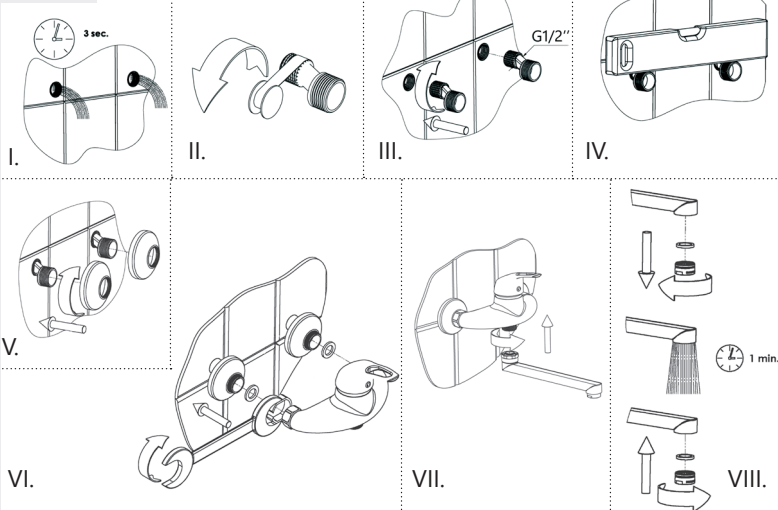


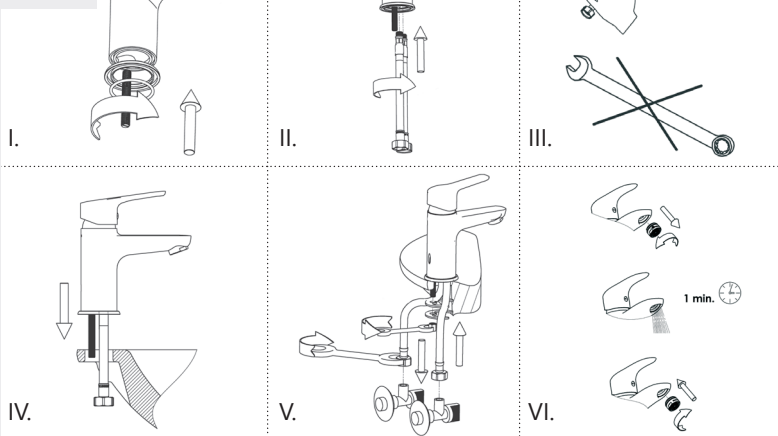
Uno-22/C



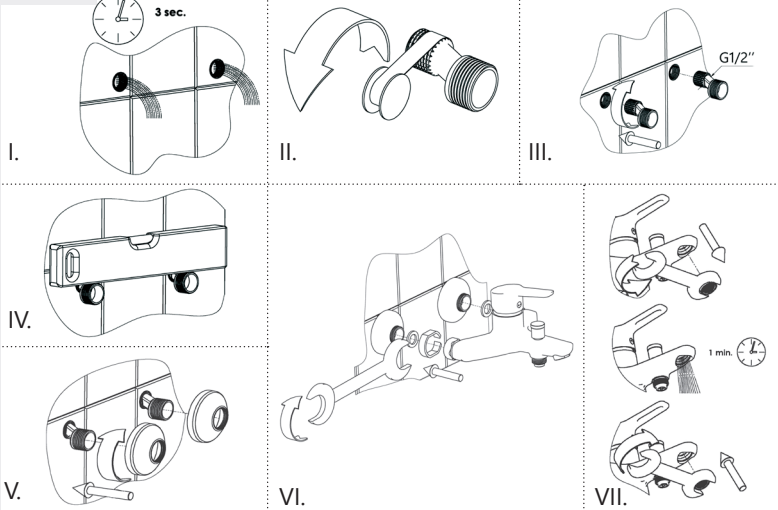
Uno-14



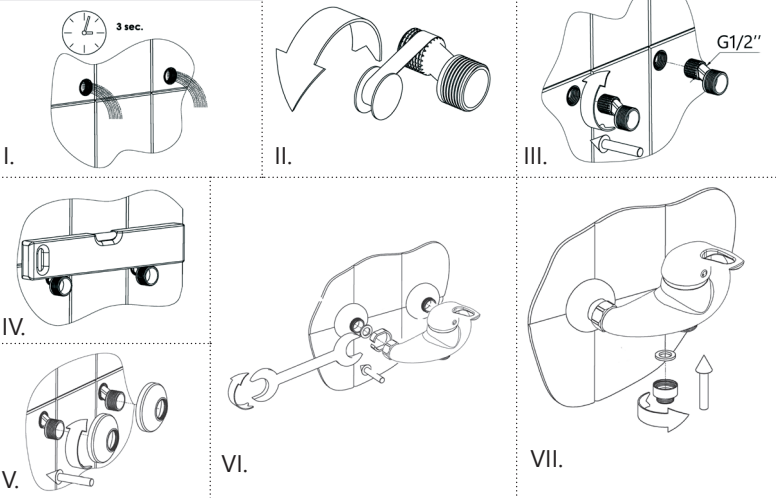
Uno-18
Uno-19
Uno-20
Uno-33



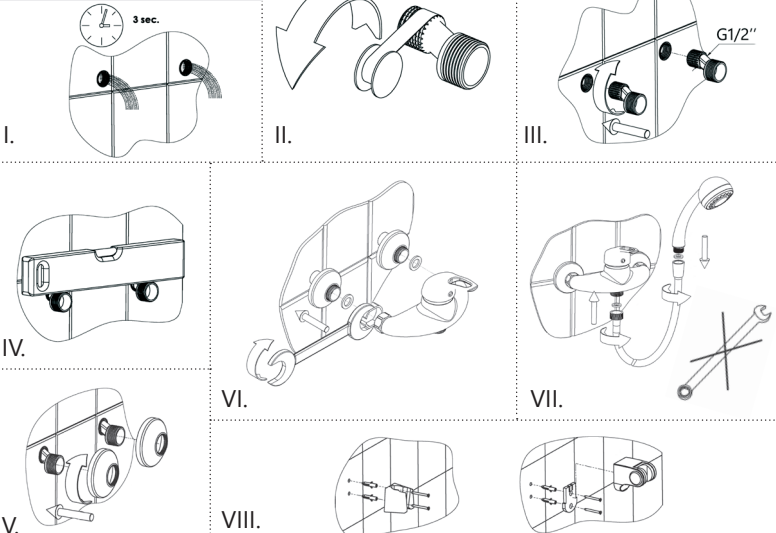
Uno-10



Uno-12



Uno-12/K




RUBINETA

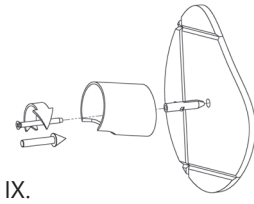
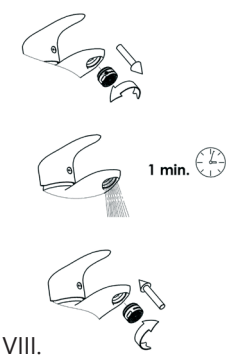
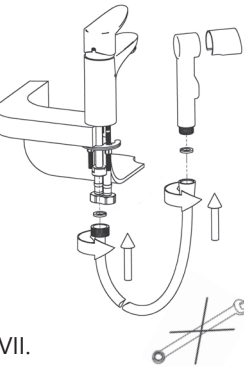
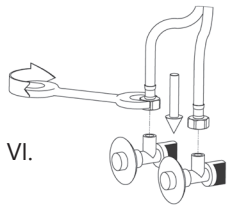
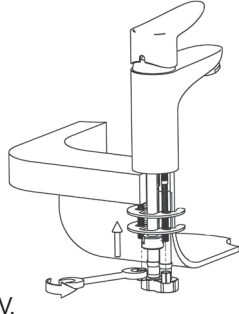
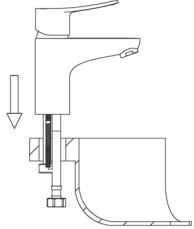
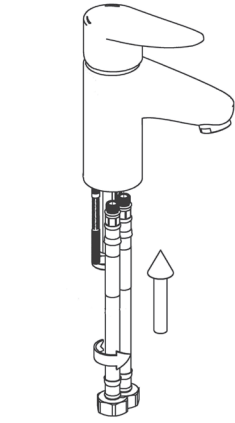
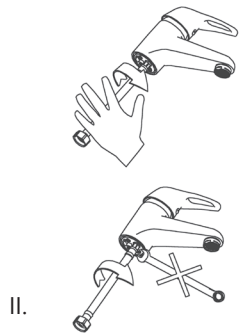
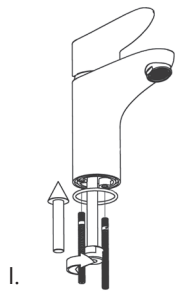


UNO

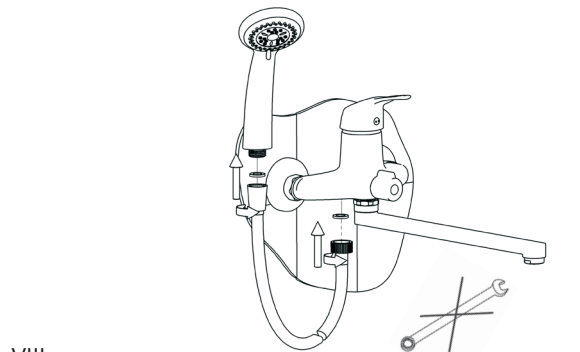
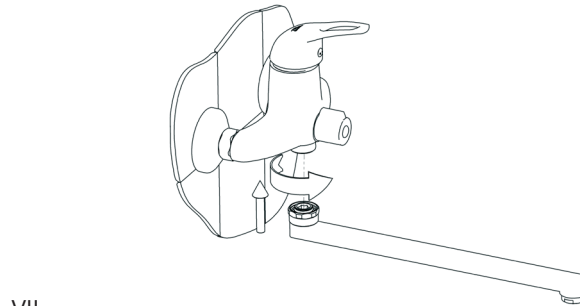
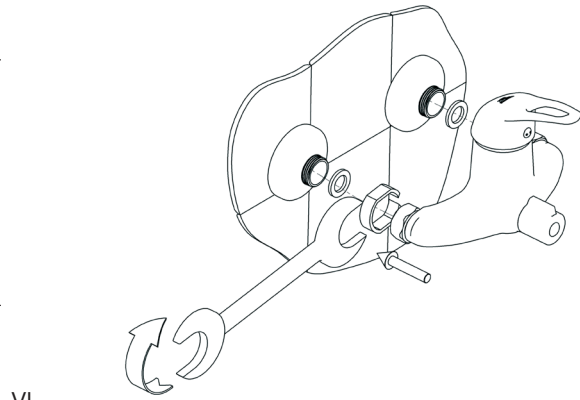
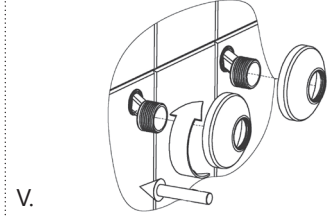
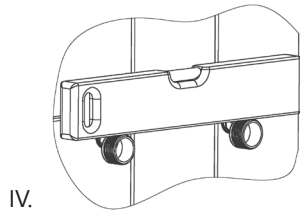
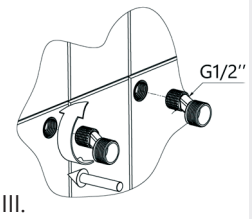
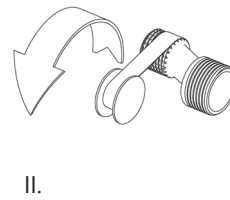
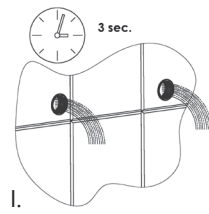
UAB „Rubineta“
Savanorių pr. 180, LT-03154 Vilnius
www.rubineta.com

COMPANY WITH
QUALITY SYSTEM
CERTIFIED BY DNV
= ISO 9001 =

Uno-17



Uno-11/C



Uno-10/K

