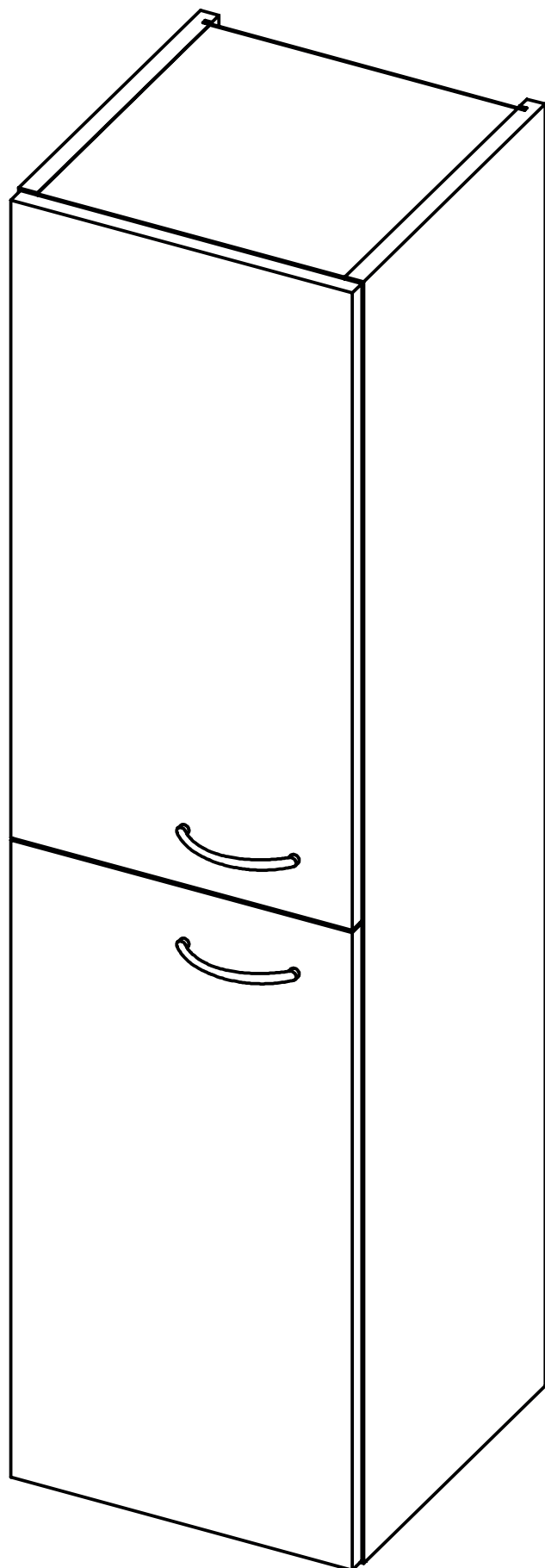
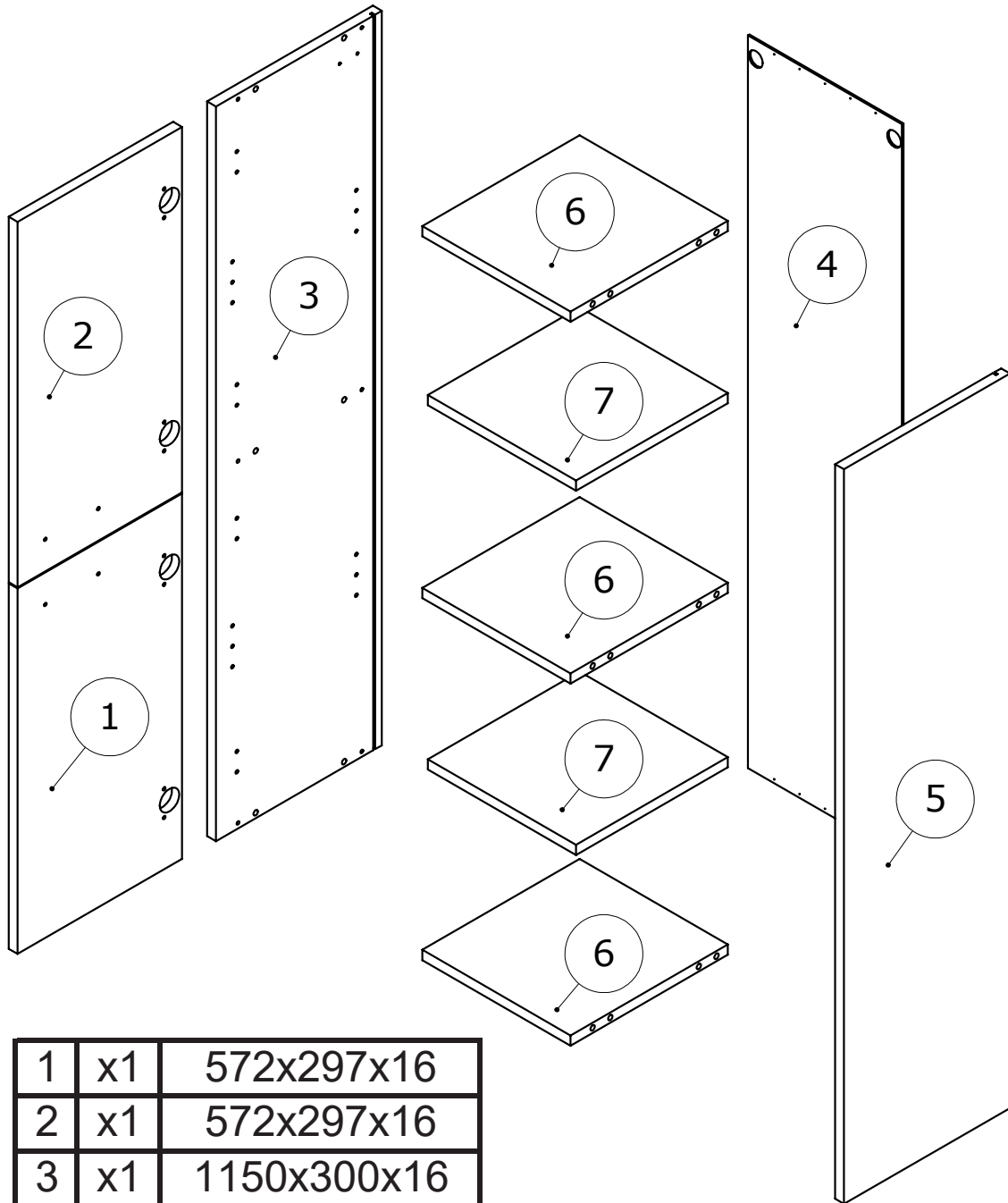
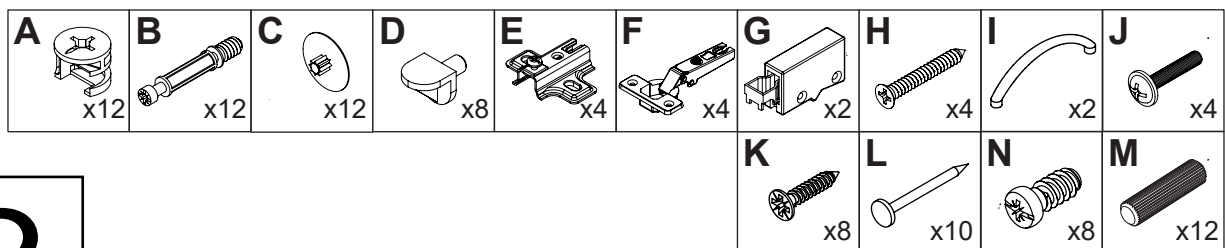


Viki B  
[www.olsen-spa.cz](http://www.olsen-spa.cz)

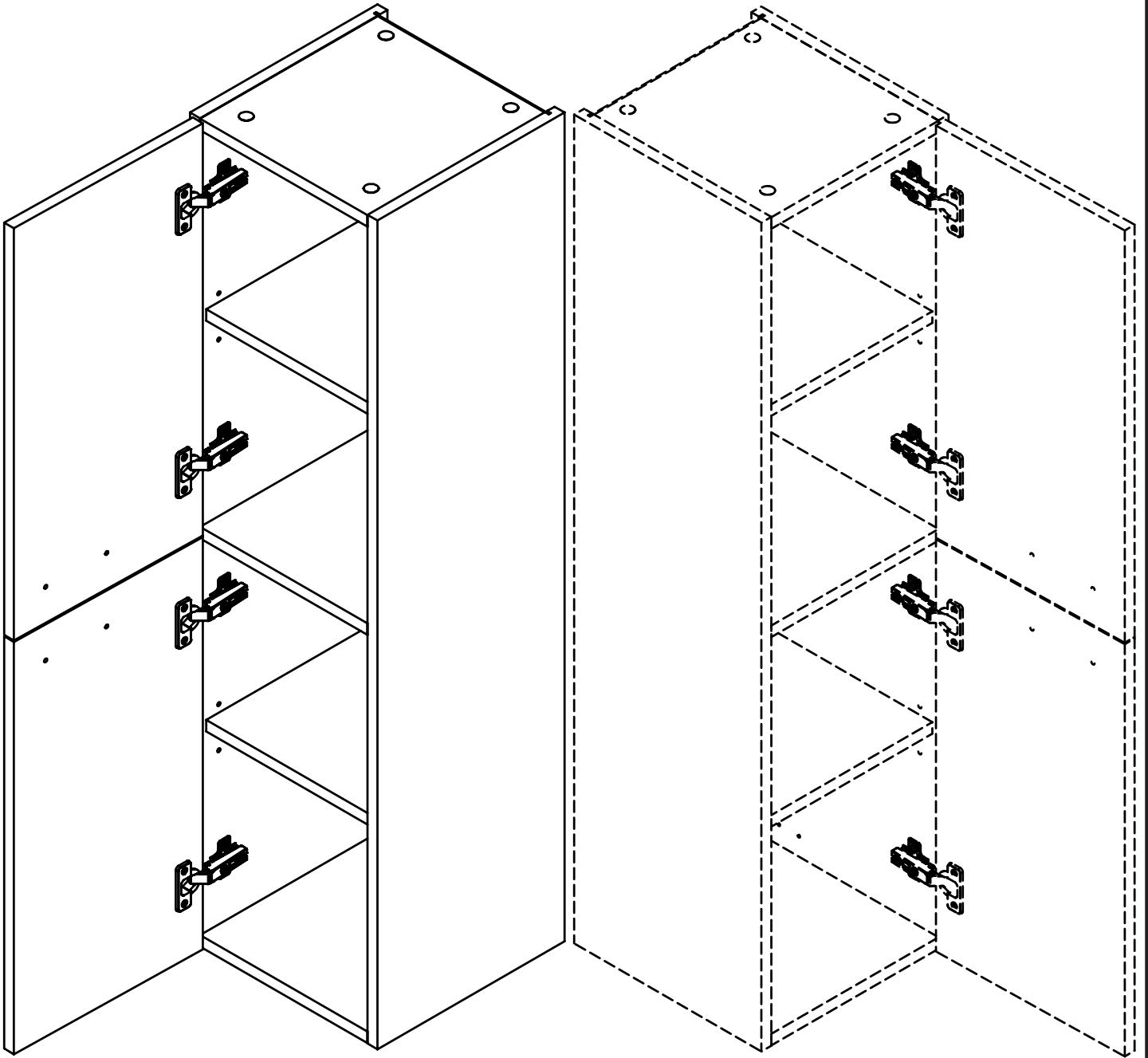




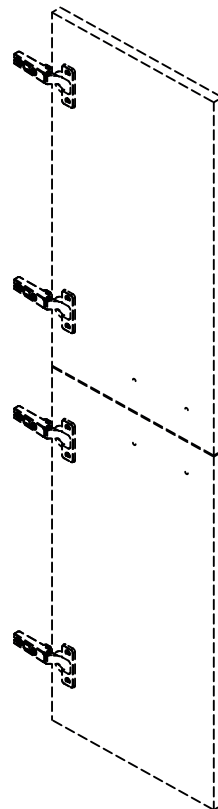
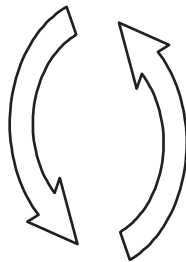
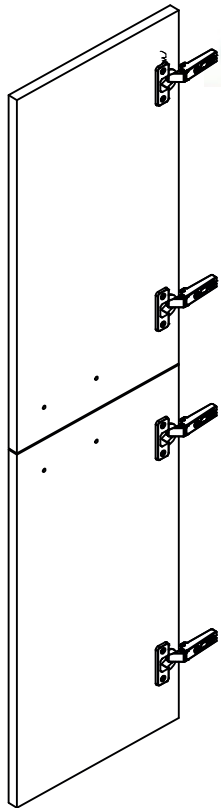
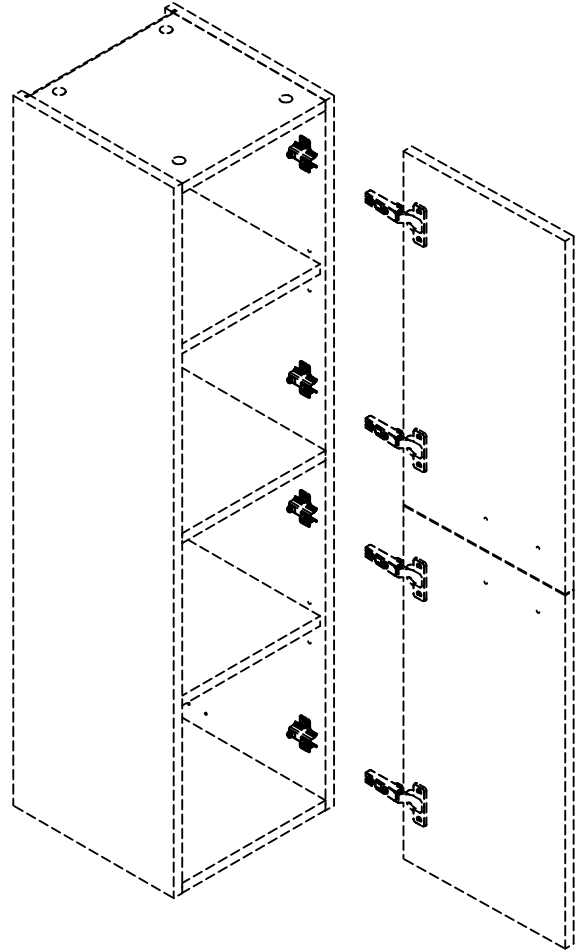
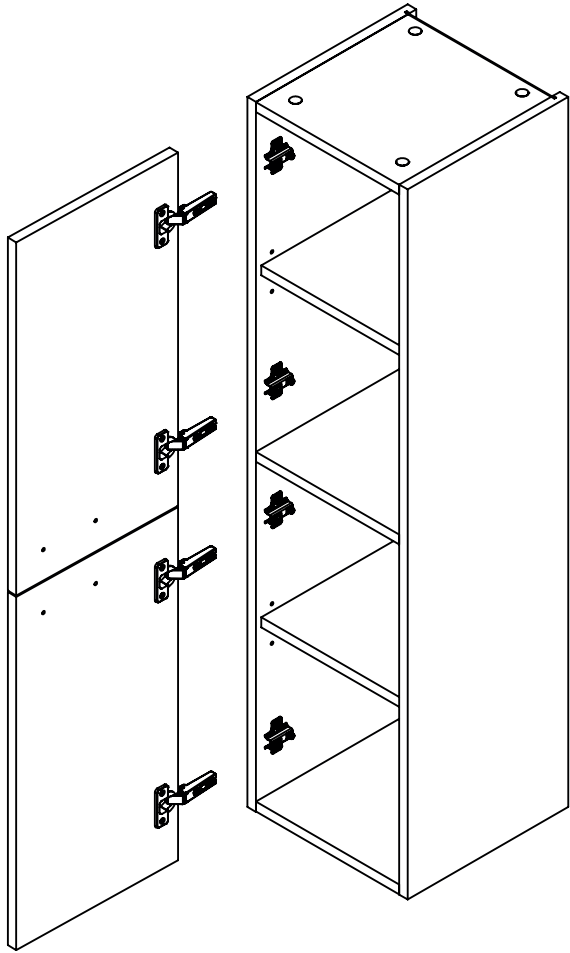
1	x1	572x297x16
2	x1	572x297x16
3	x1	1150x300x16
4	x1	1147x278x3
5	x1	1150x300x16
6	x3	284.5x268x16
7	x3	274.5x268x16



2

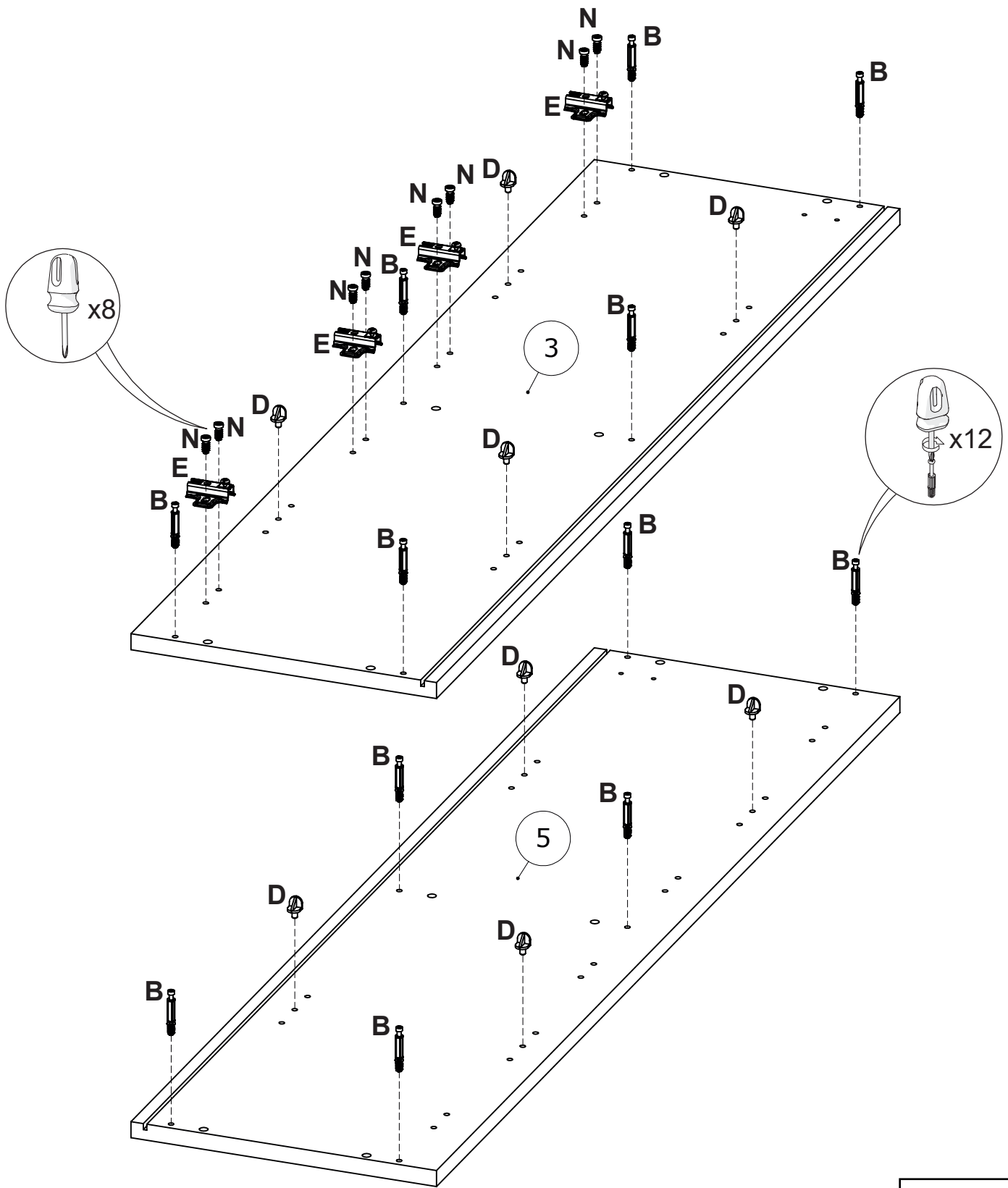


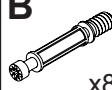



3



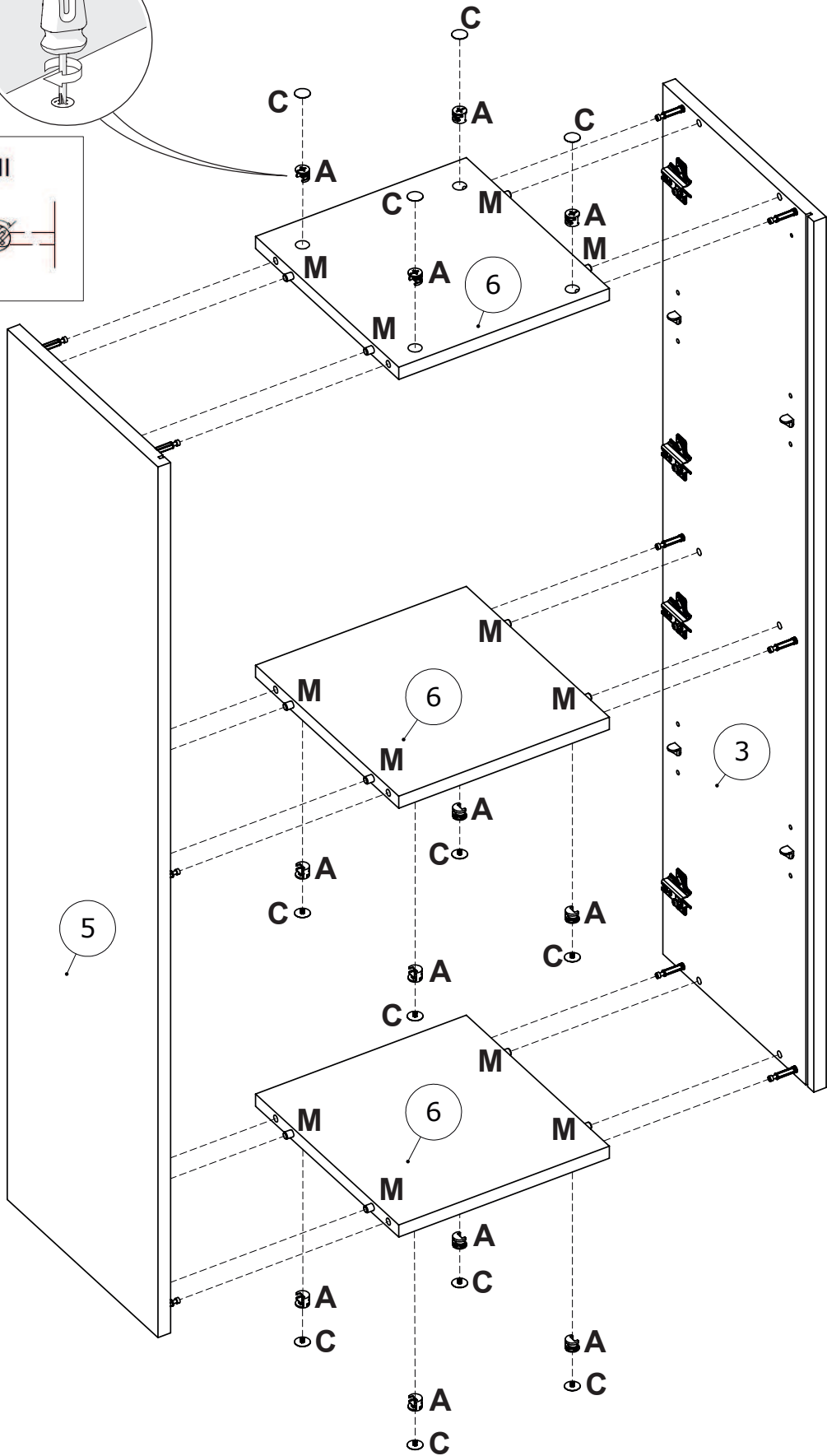
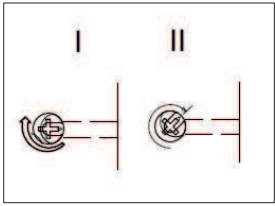
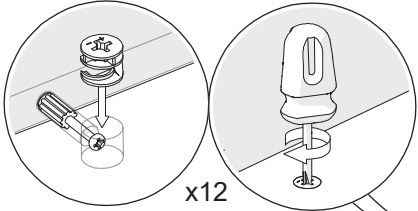
4

L / R

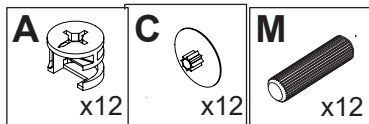


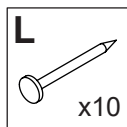
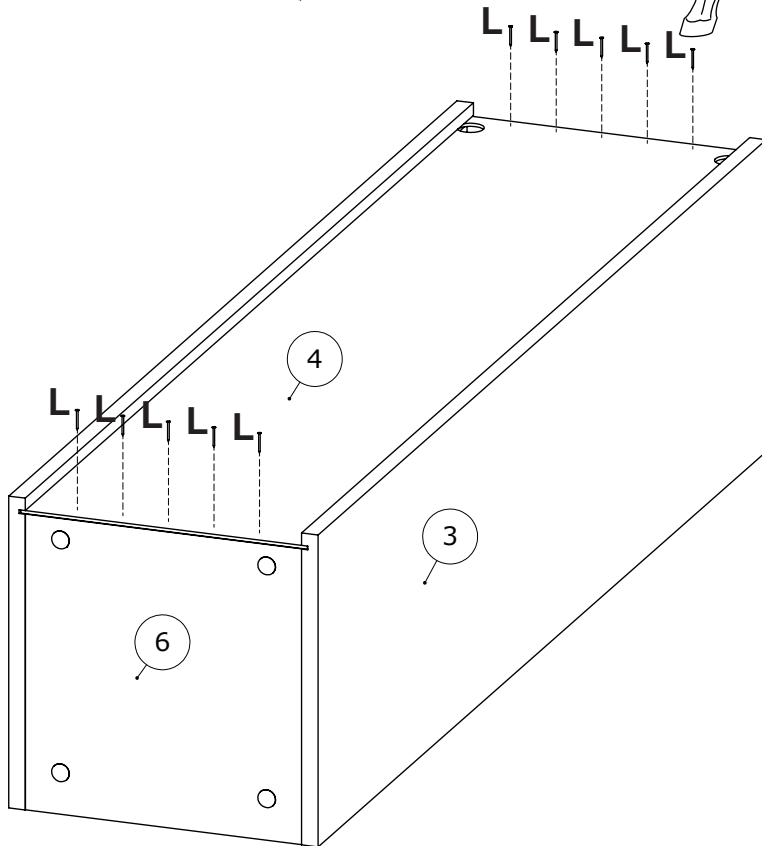
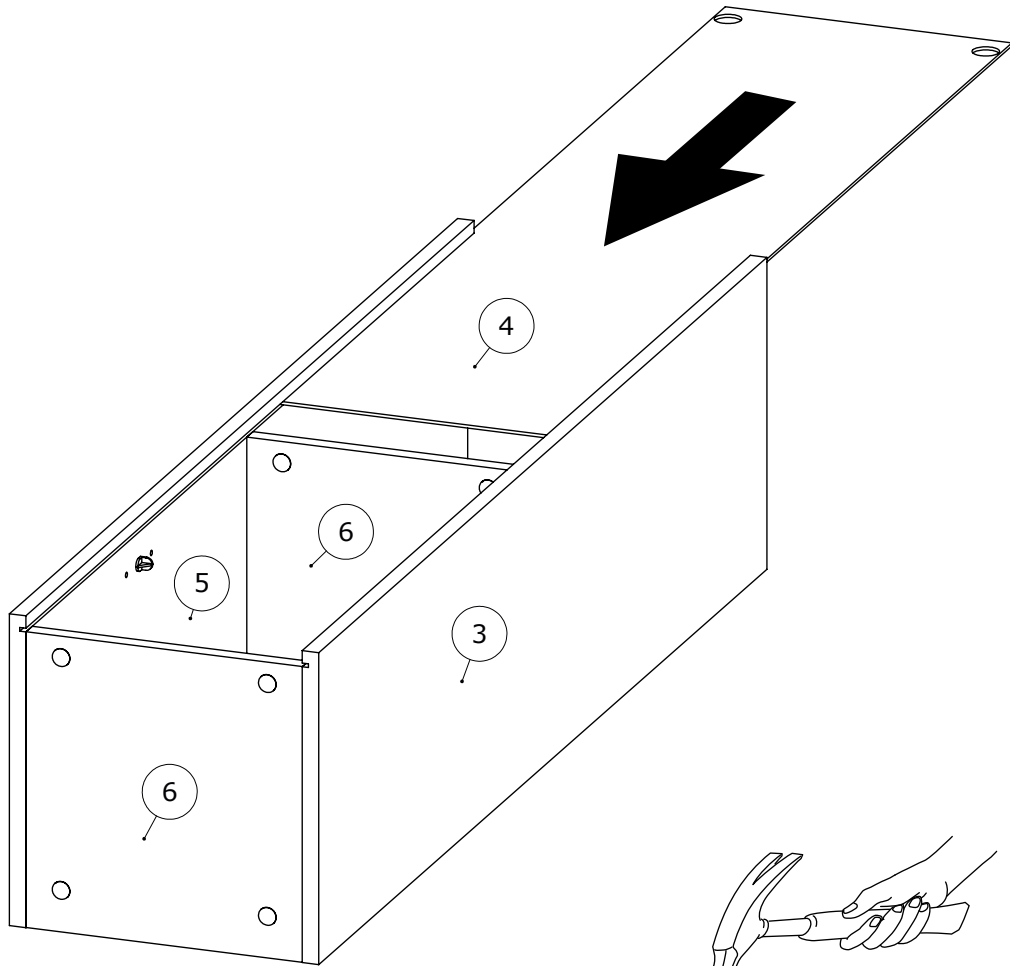
<b>B</b>	<b>D</b>	<b>E</b>	<b>N</b>
			
x8	x8	x4	x8

**5**

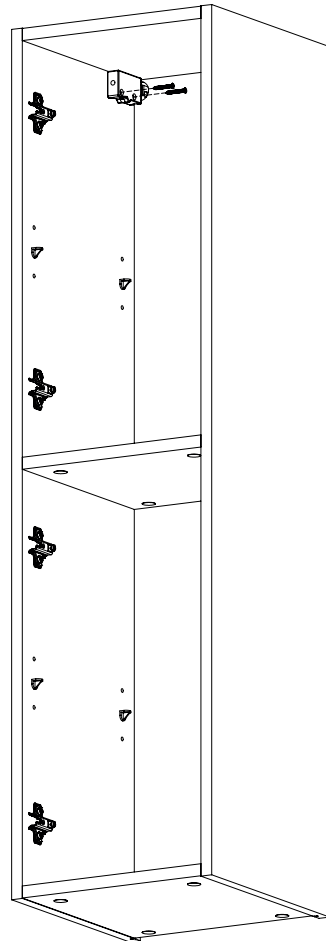
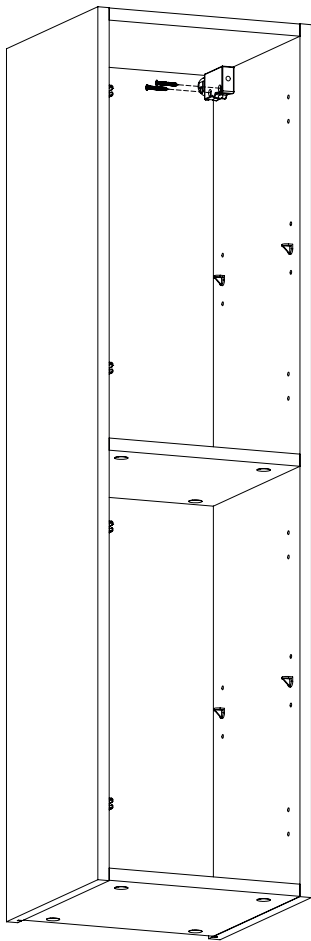
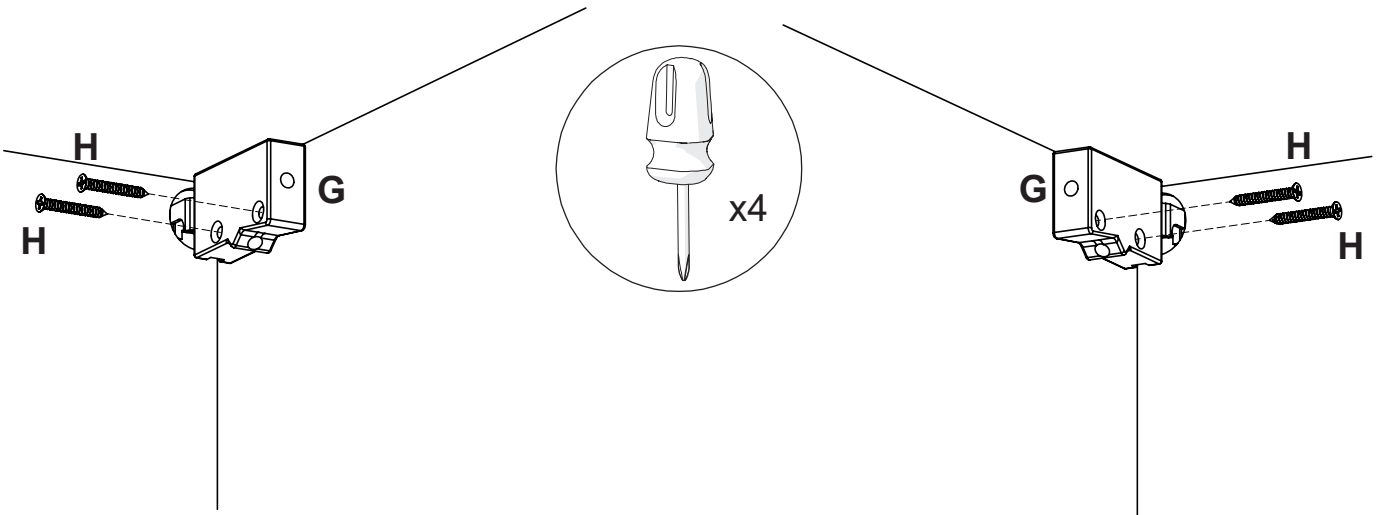


6

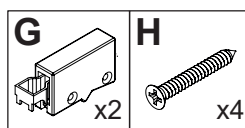




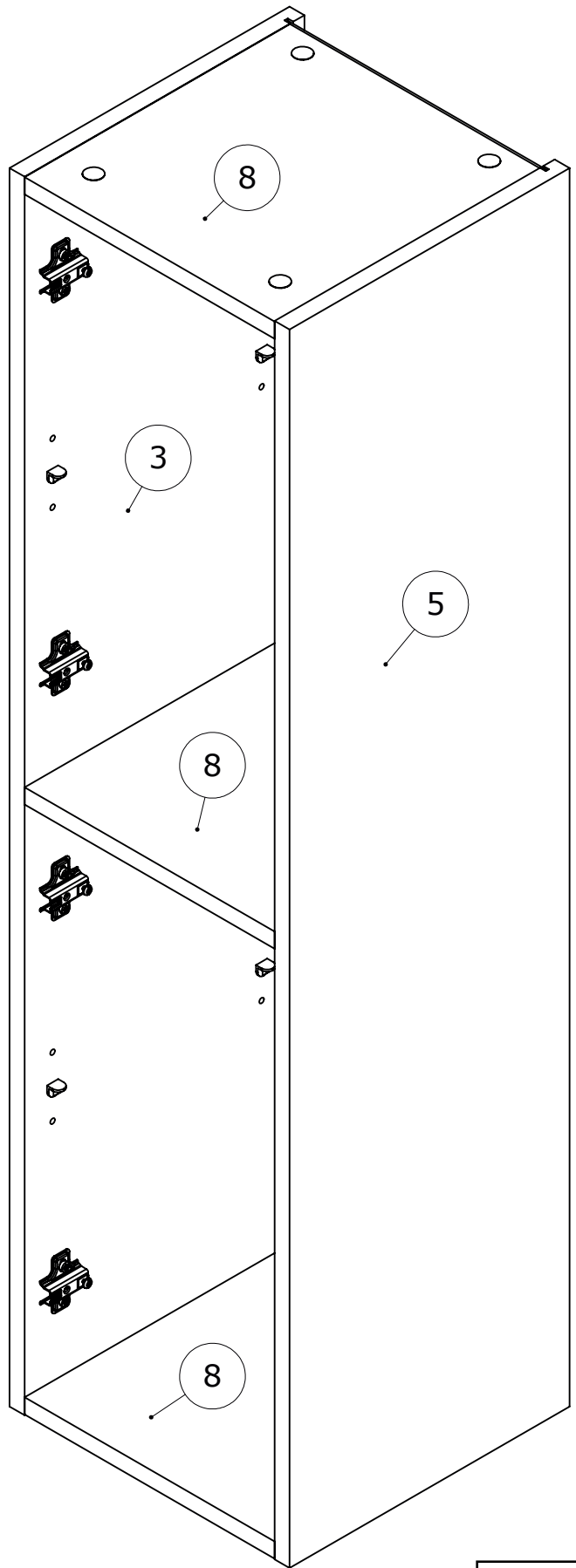
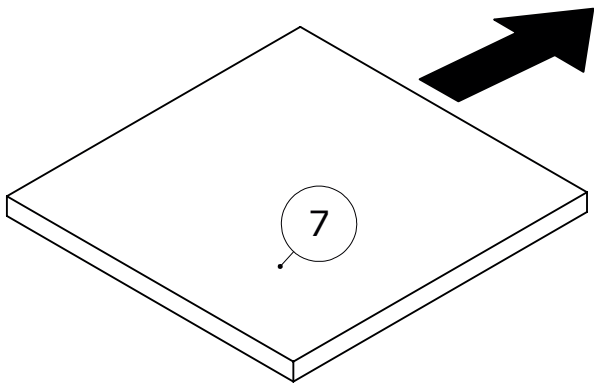
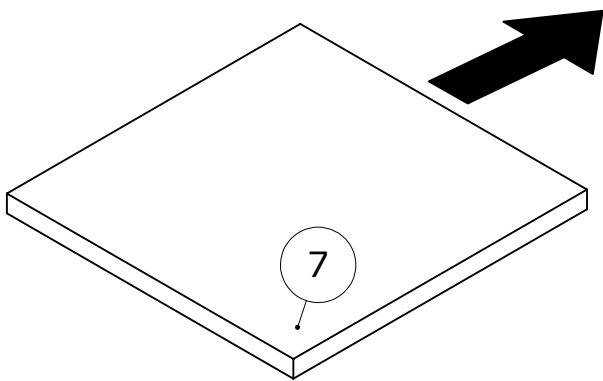
7



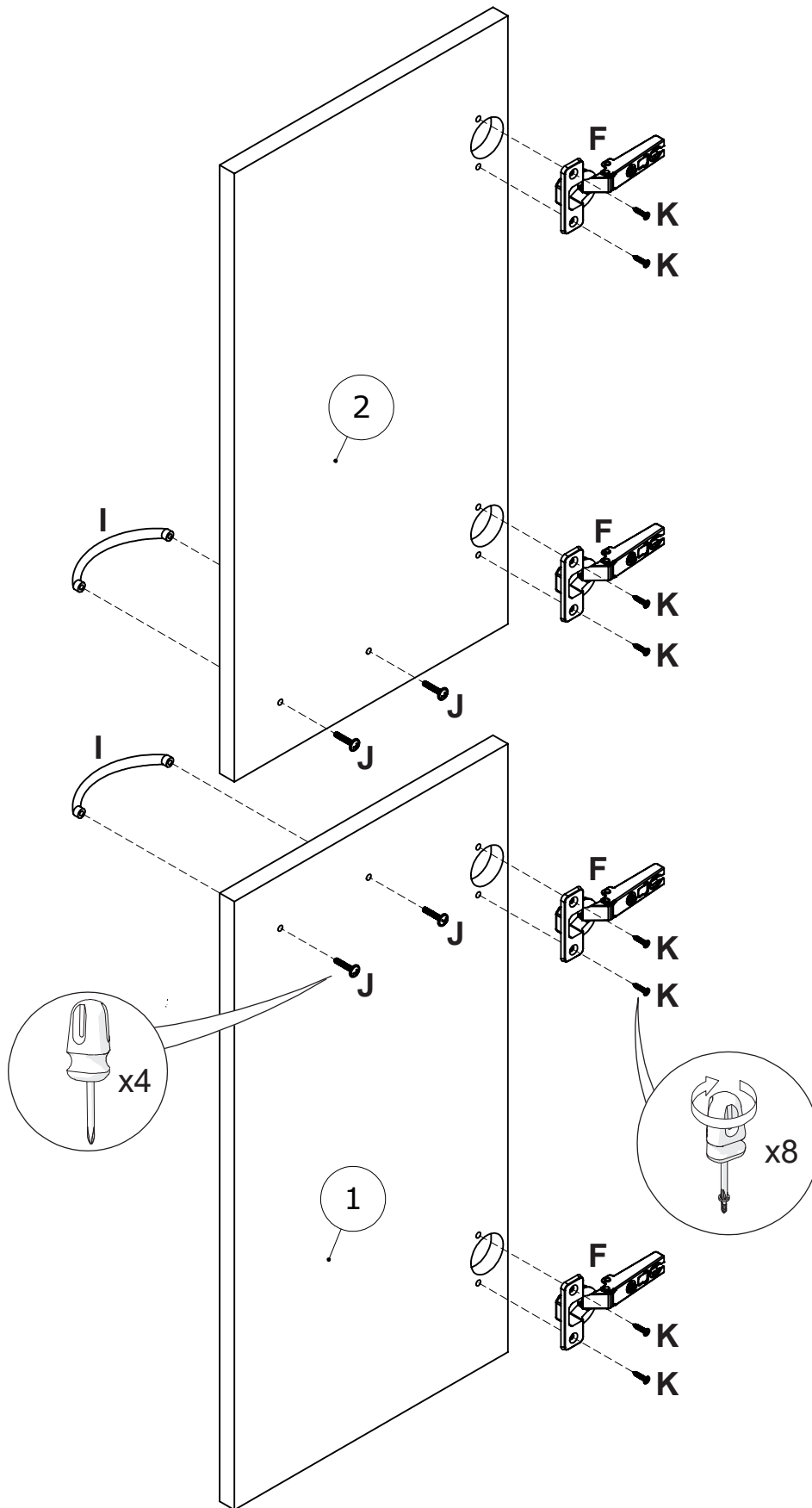
8



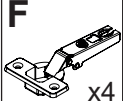





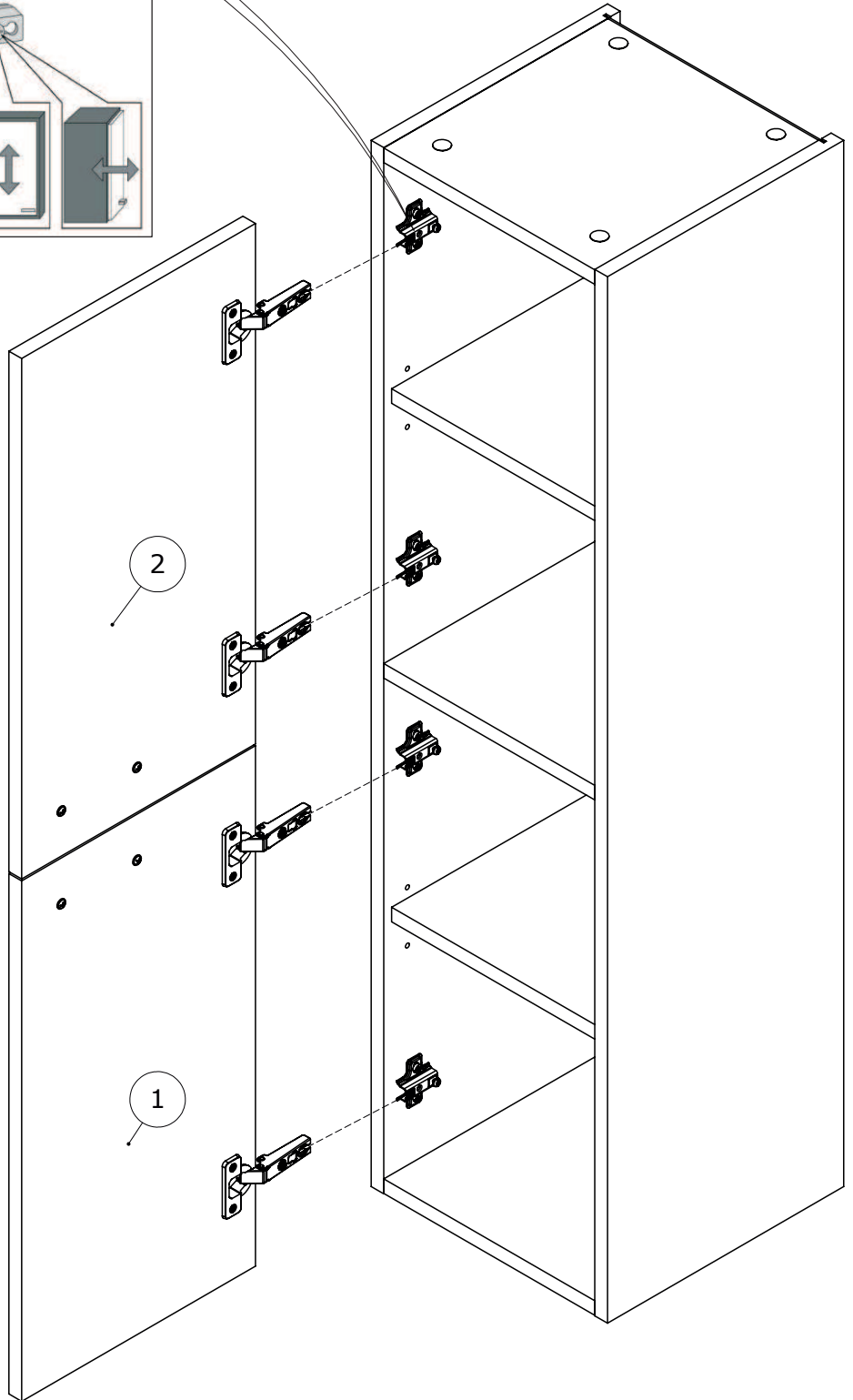
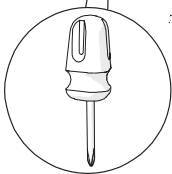
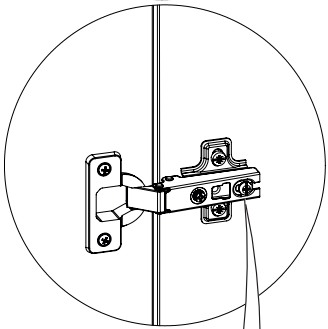
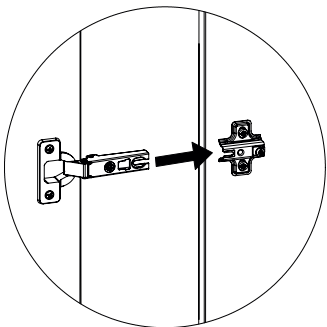
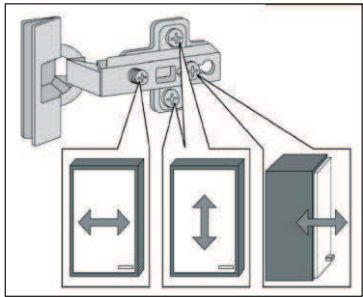
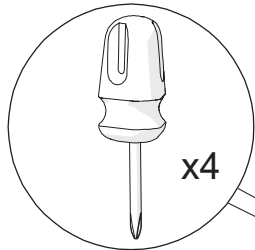


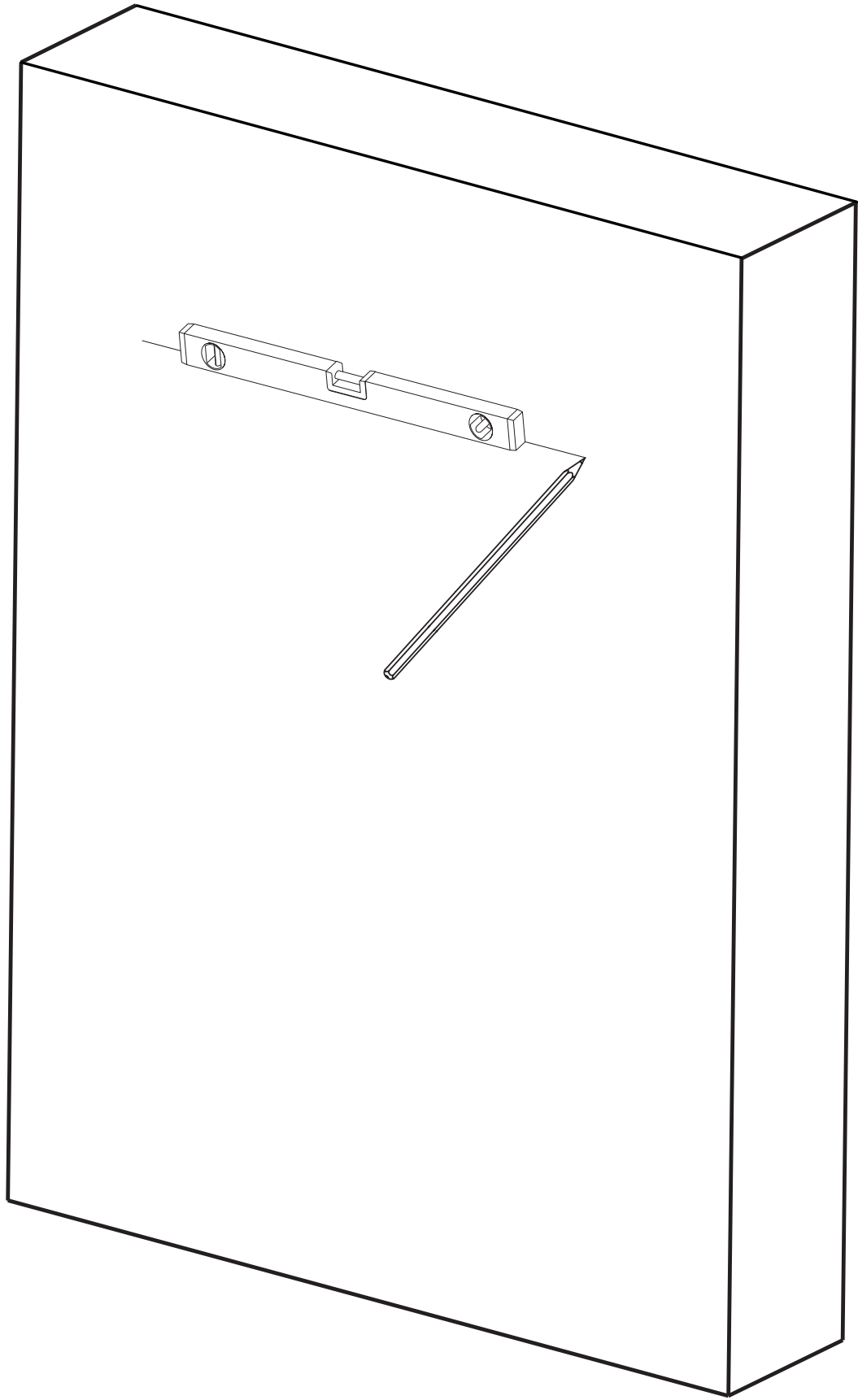
9



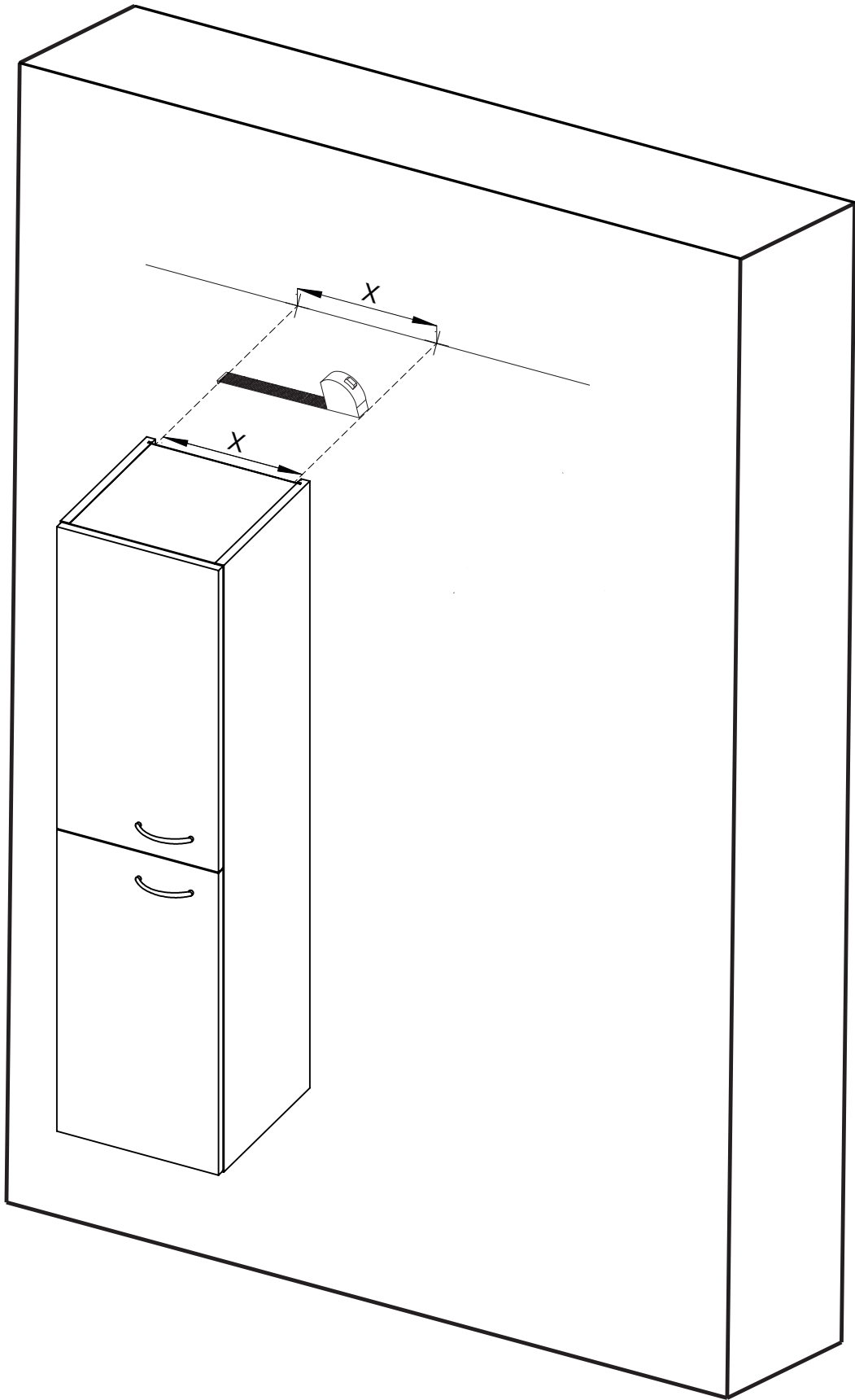
10

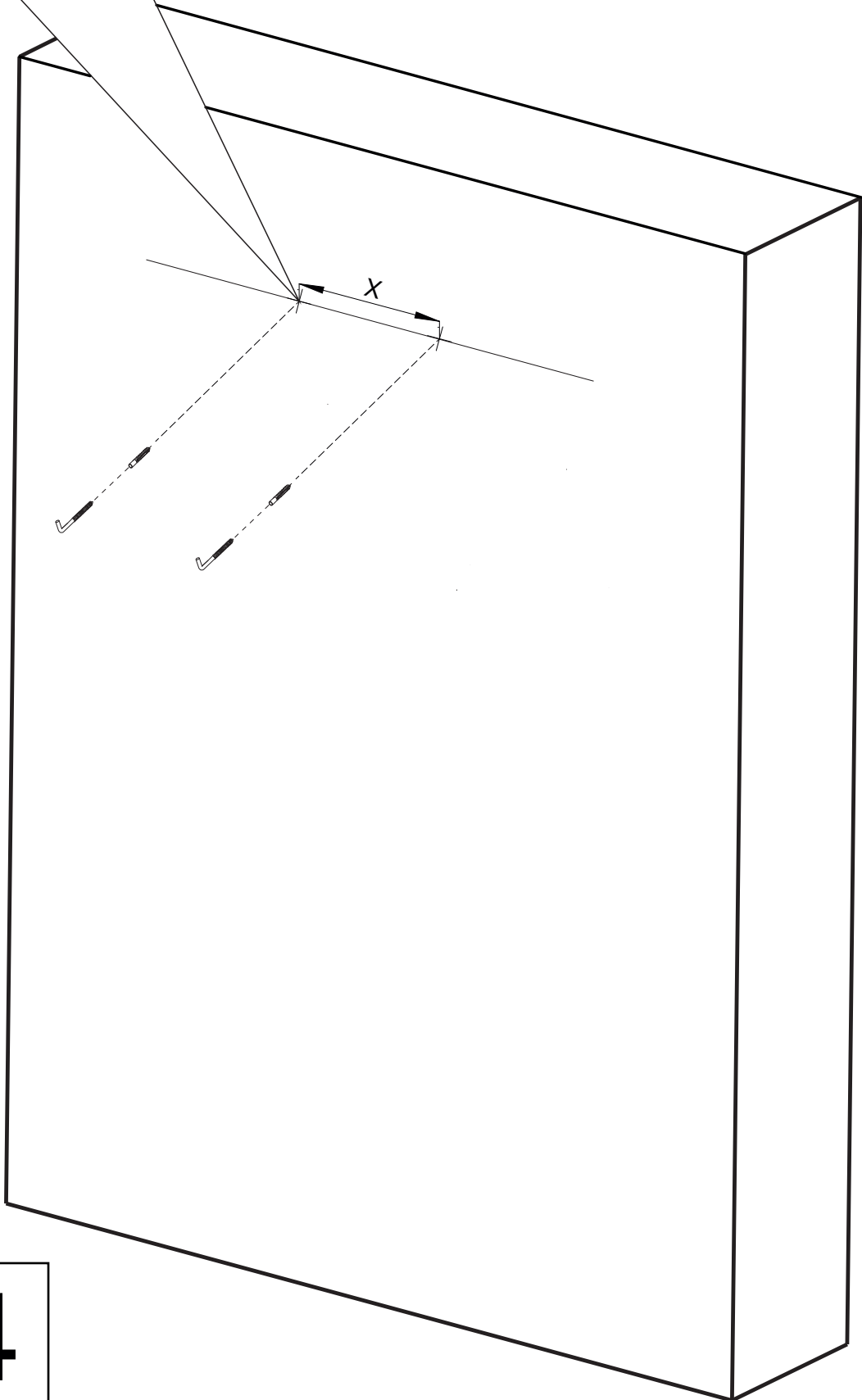
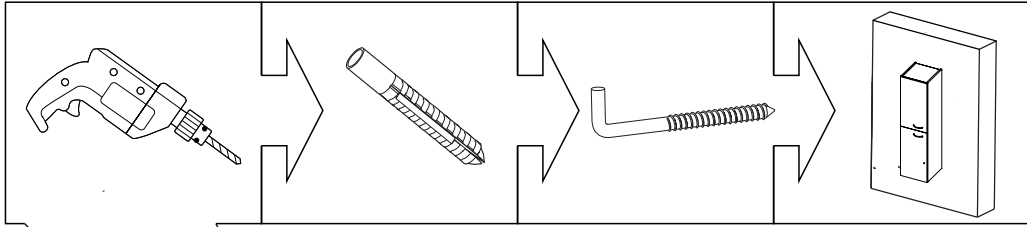
<b>F</b>  x4	<b>I</b>  x2	<b>J</b>  x4	<b>K</b>  x8
---	---	---	--





12





14

