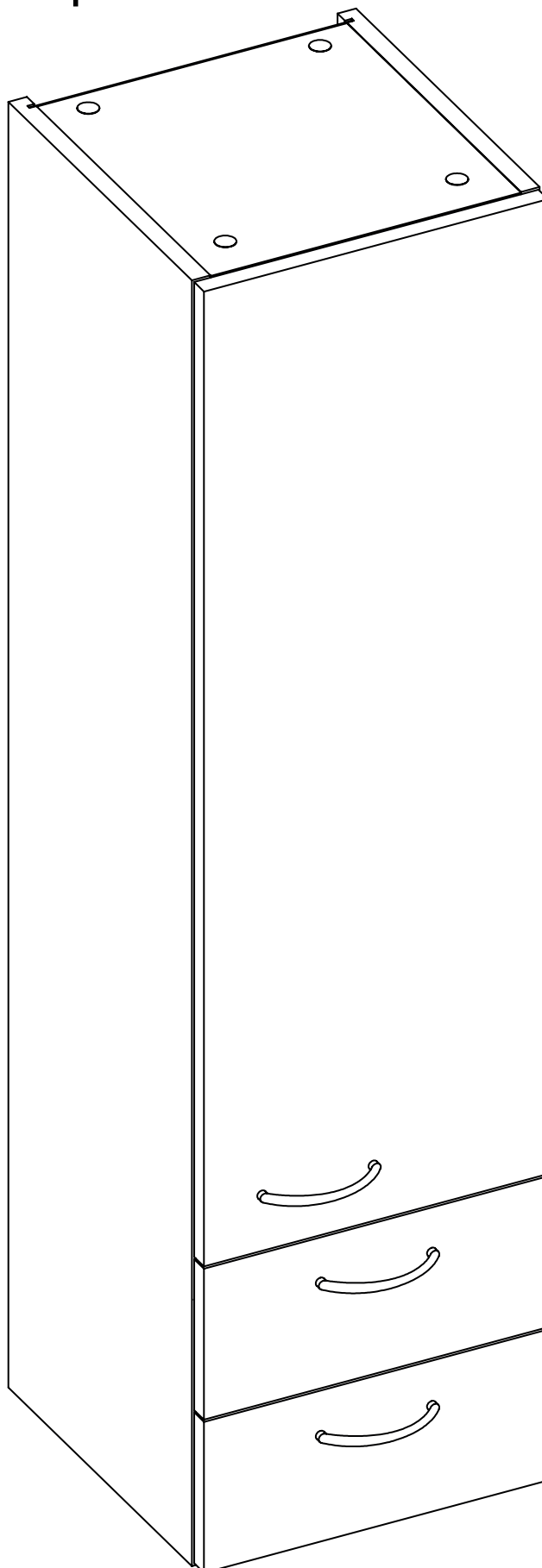
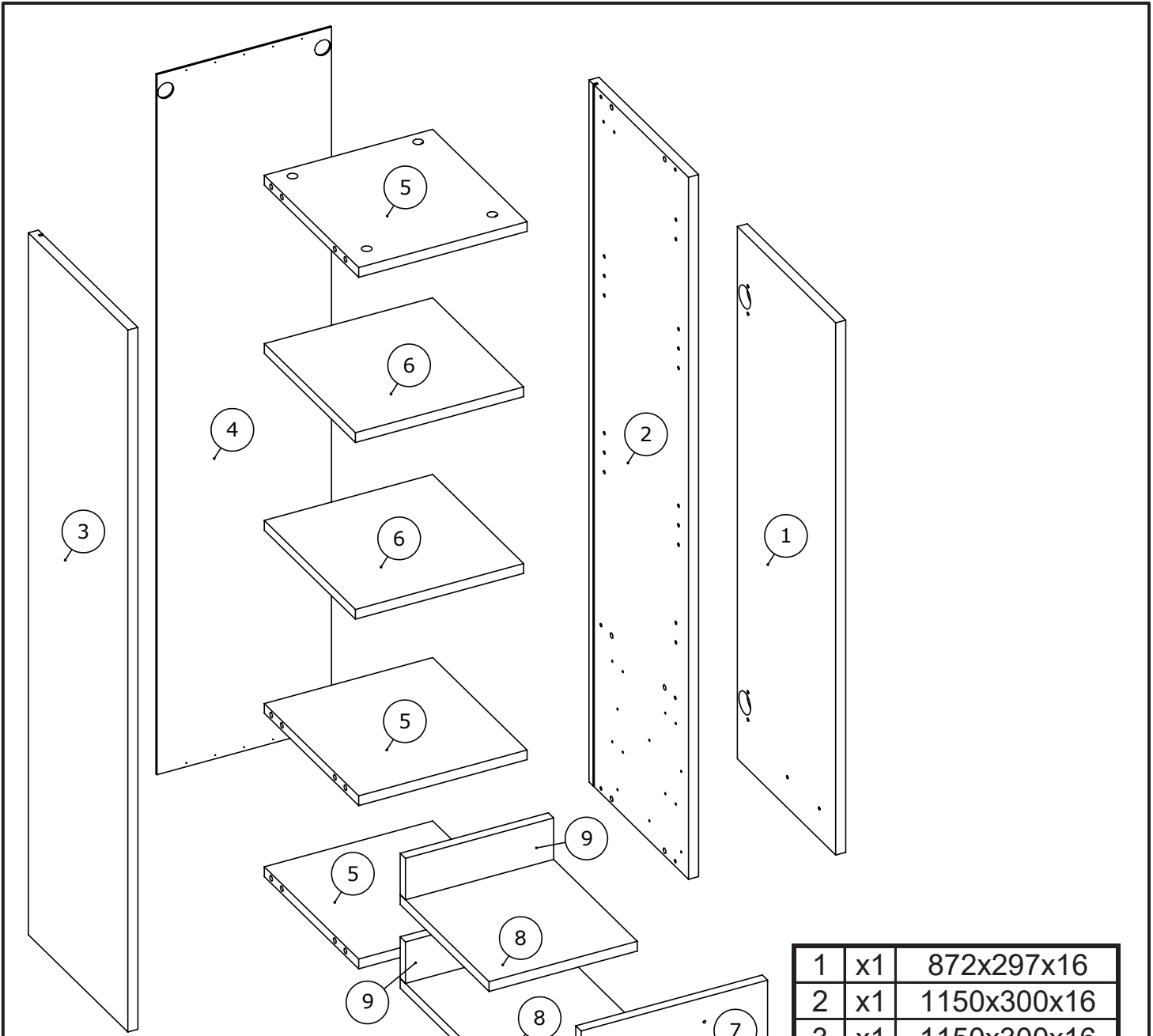
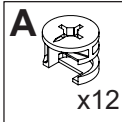
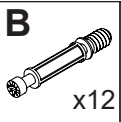
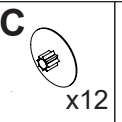
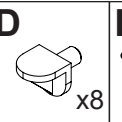

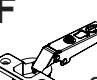
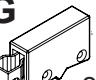





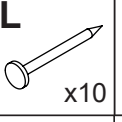
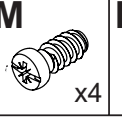
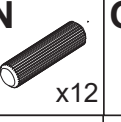
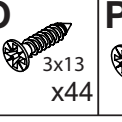



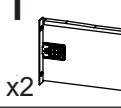
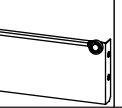
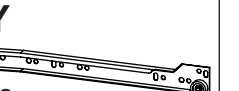


Viki C - pravá
www.olsen-spa.cz

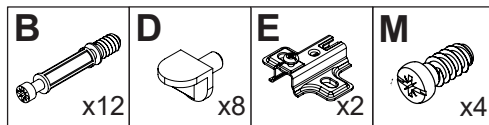
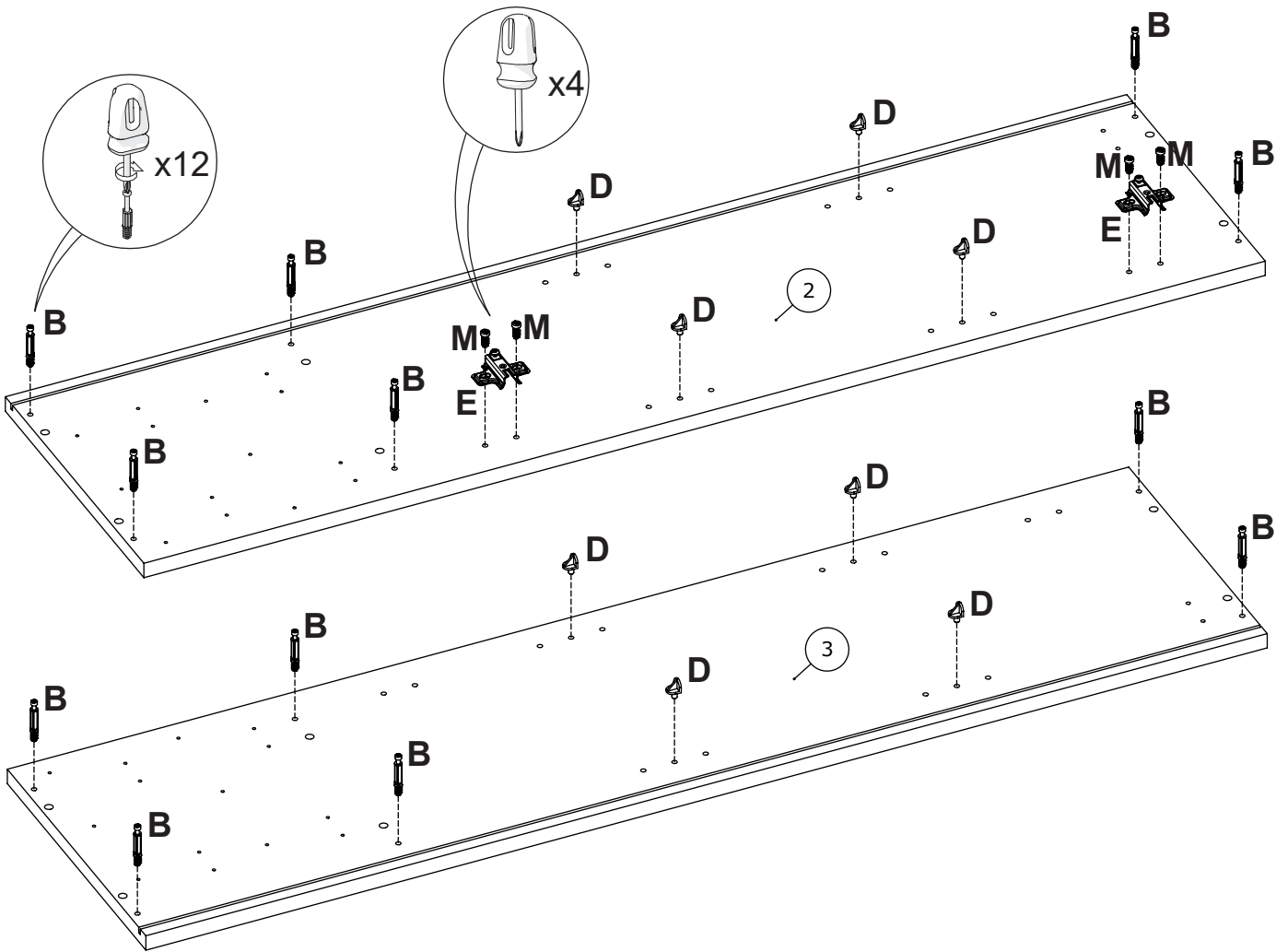
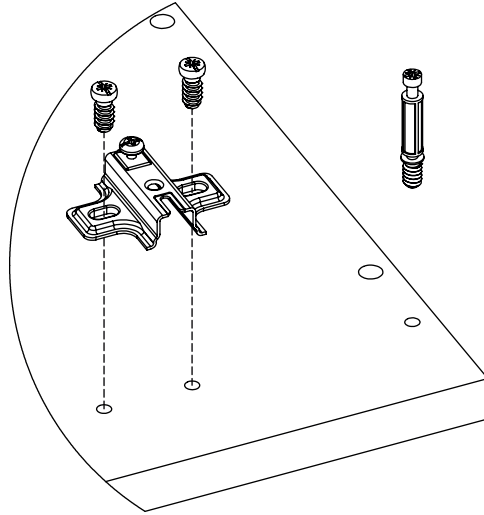




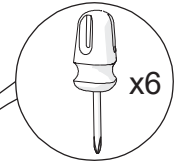
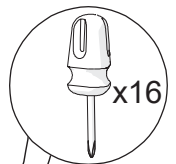
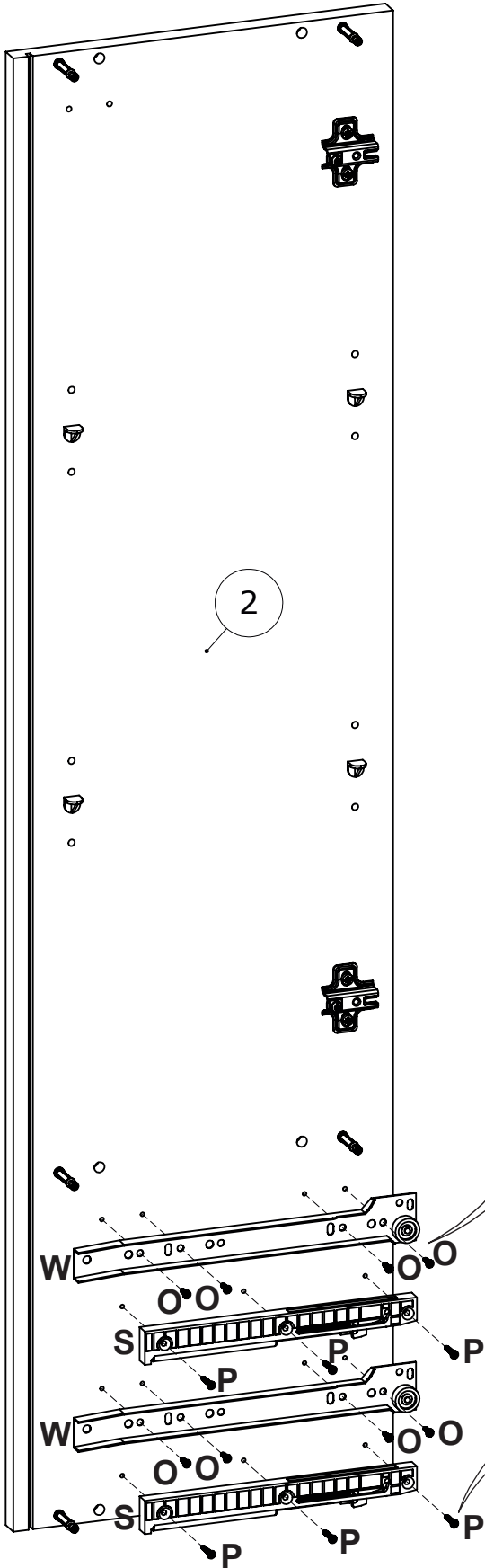
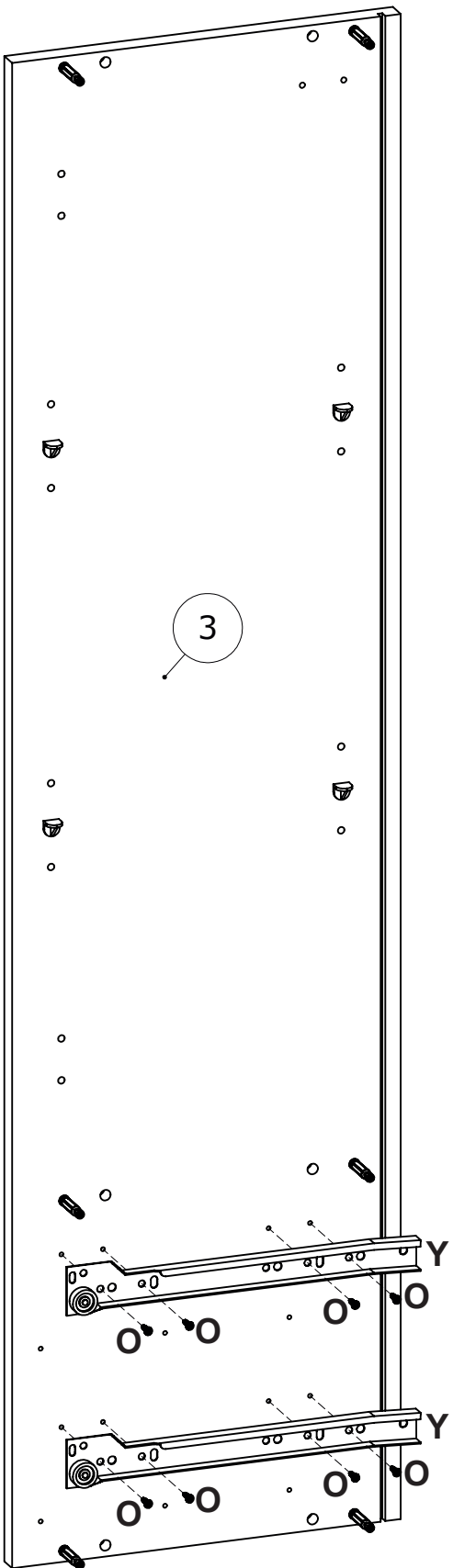
1	x1	872x297x16
2	x1	1150x300x16
3	x1	1150x300x16
4	x1	1147x278x3
5	x3	284x268x16
6	x2	274x268x16
7	x2	135x297x16
8	x2	268x237x16
9	x2	237x68x16

A  x12	B  x12	C  x12	D  x8	E  x2	F  x2	G  x2	H  3.5x30 x4	I  x3	J  x6
K  3.5x13 x4	L  x10	M  x4	N  x12	O  3x13 x44	P  3.5x20 x6	R  x2	S  x2		
T  x2	U  x2	W  x2	Y  x2						




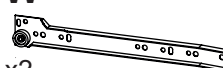
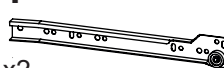
2

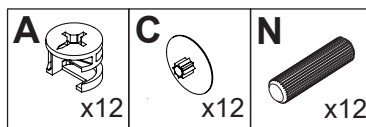
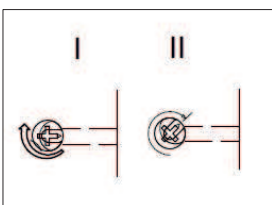
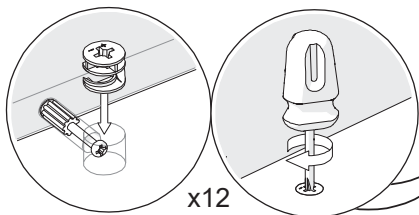
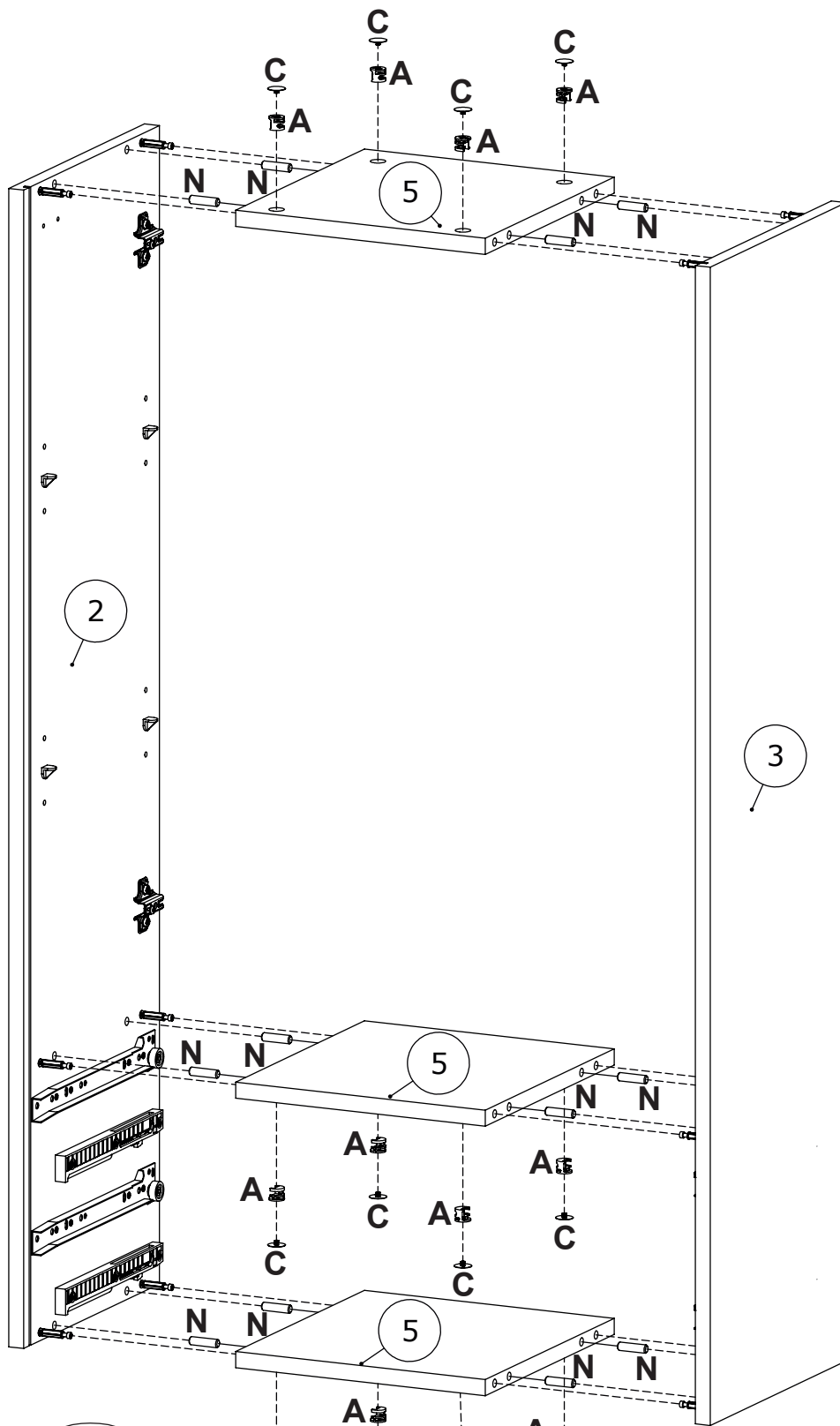


3

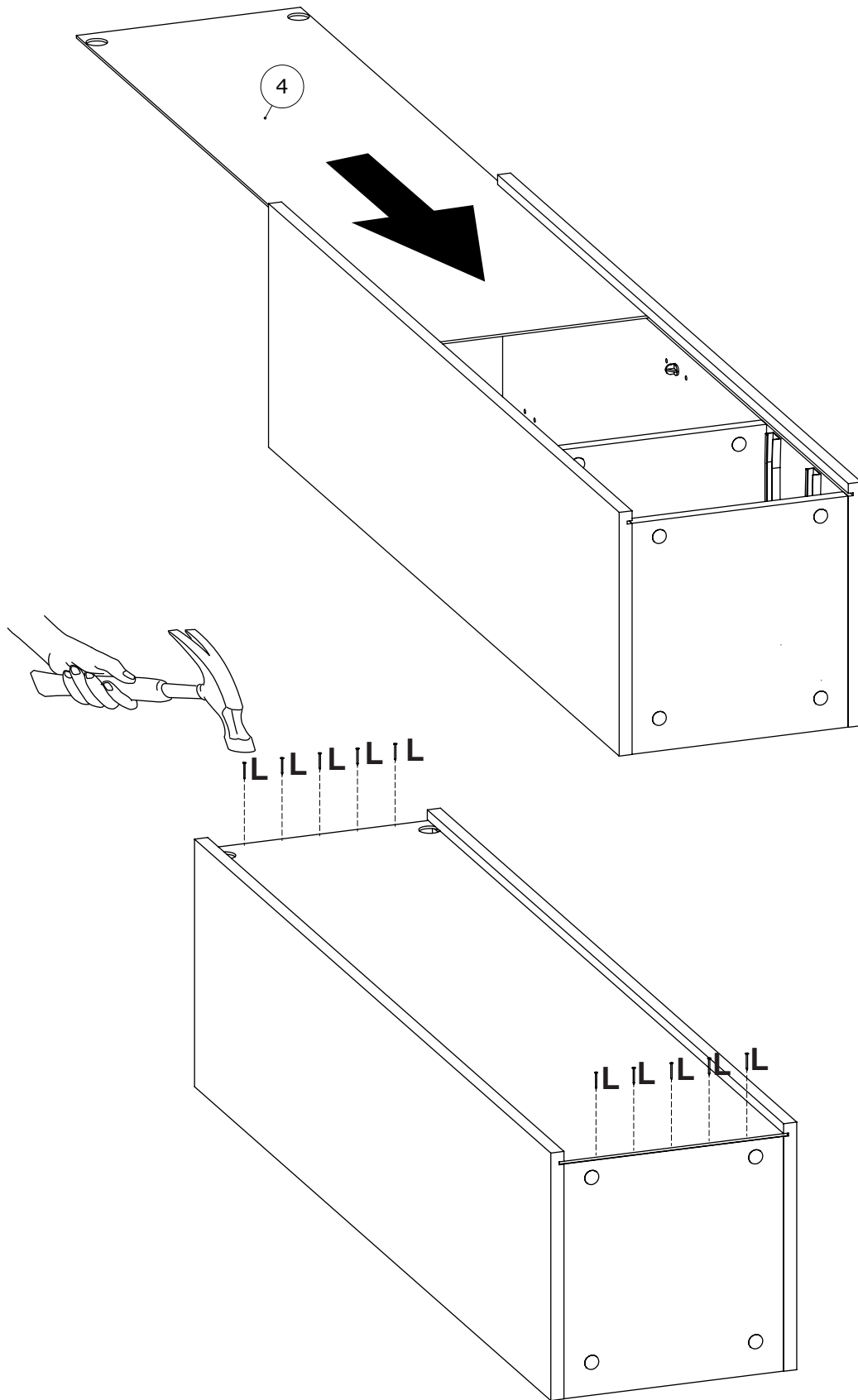


4

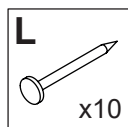
<p>O</p>  <p>3x13 x16</p>	<p>P</p>  <p>3.5x20 x6</p>	<p>S</p>  <p>x2</p>	<p>W</p>  <p>x2</p>	<p>Y</p>  <p>x2</p>
---	--	--	---	---

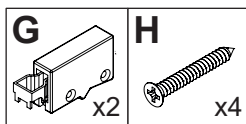
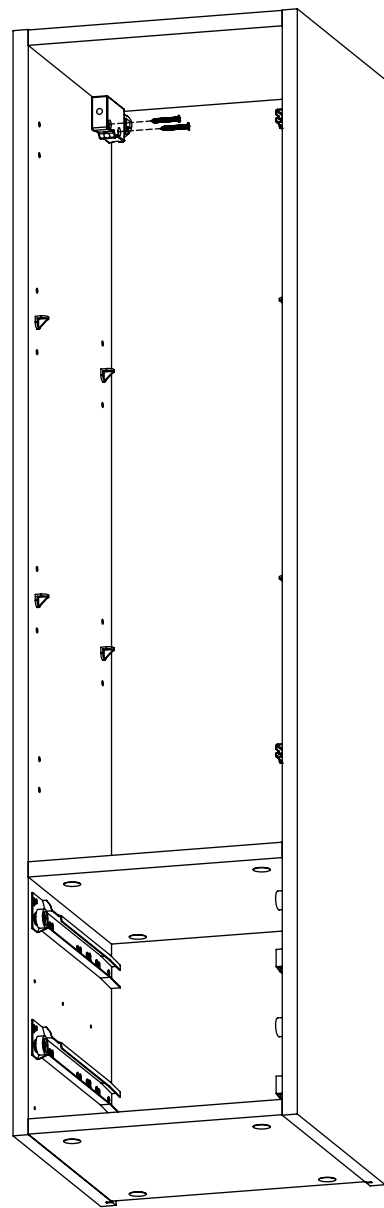
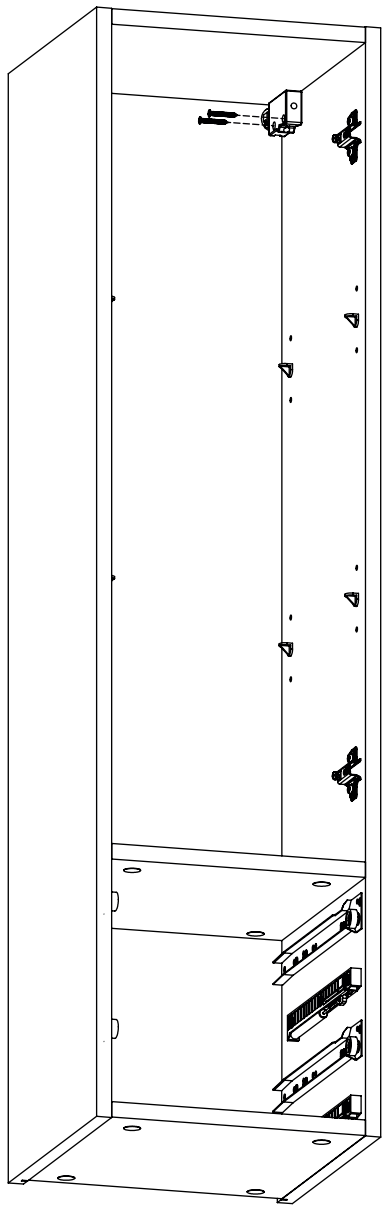
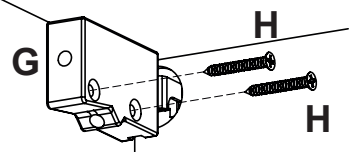
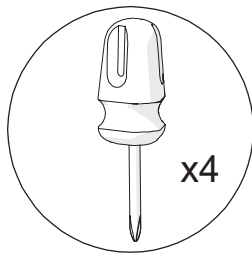
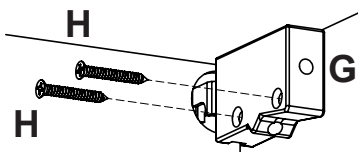


5

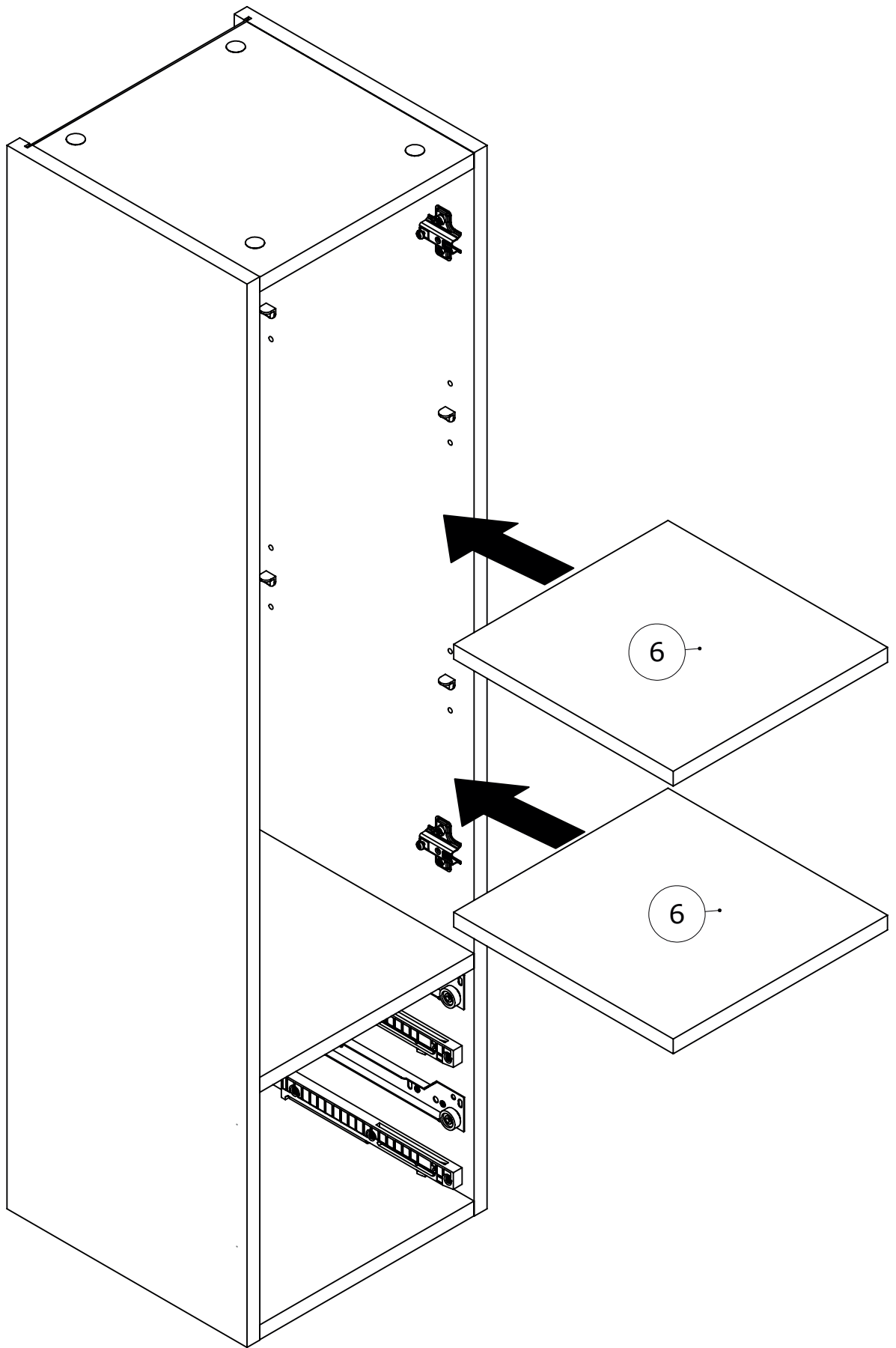


6

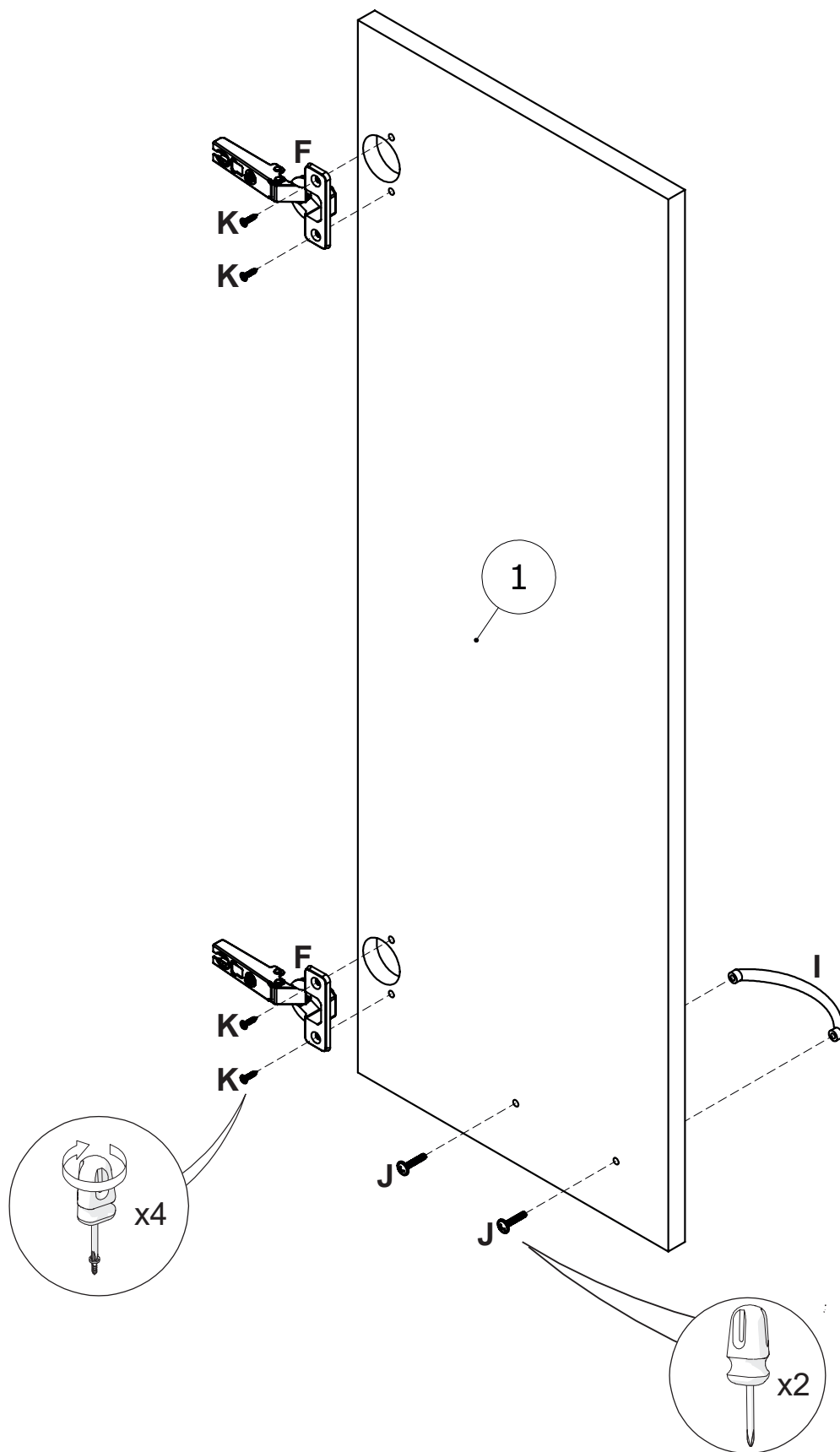


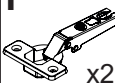





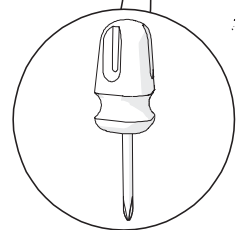
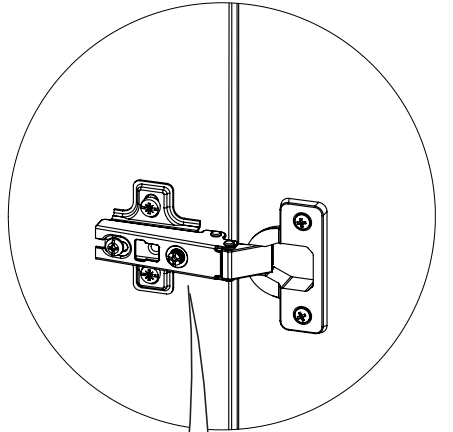
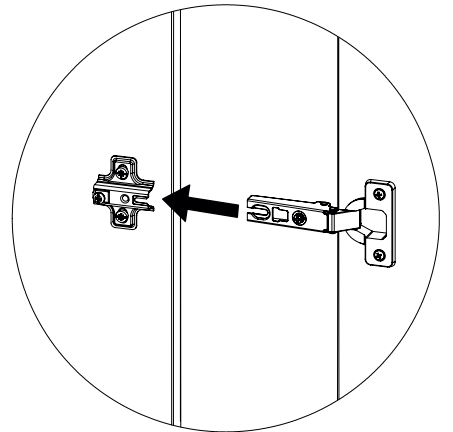
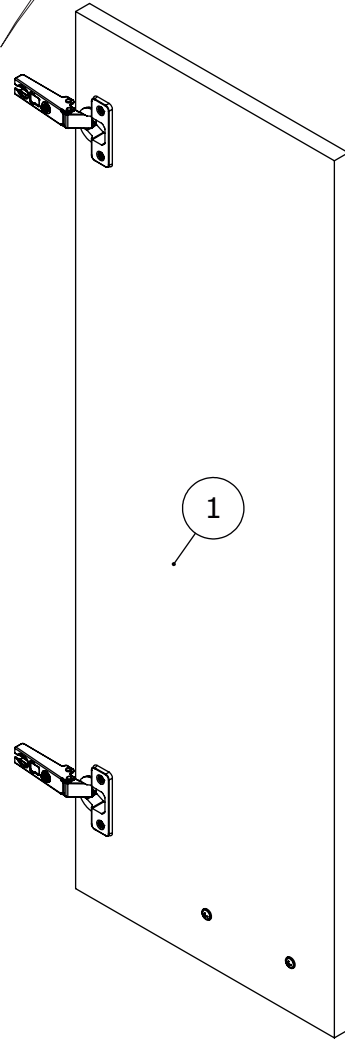
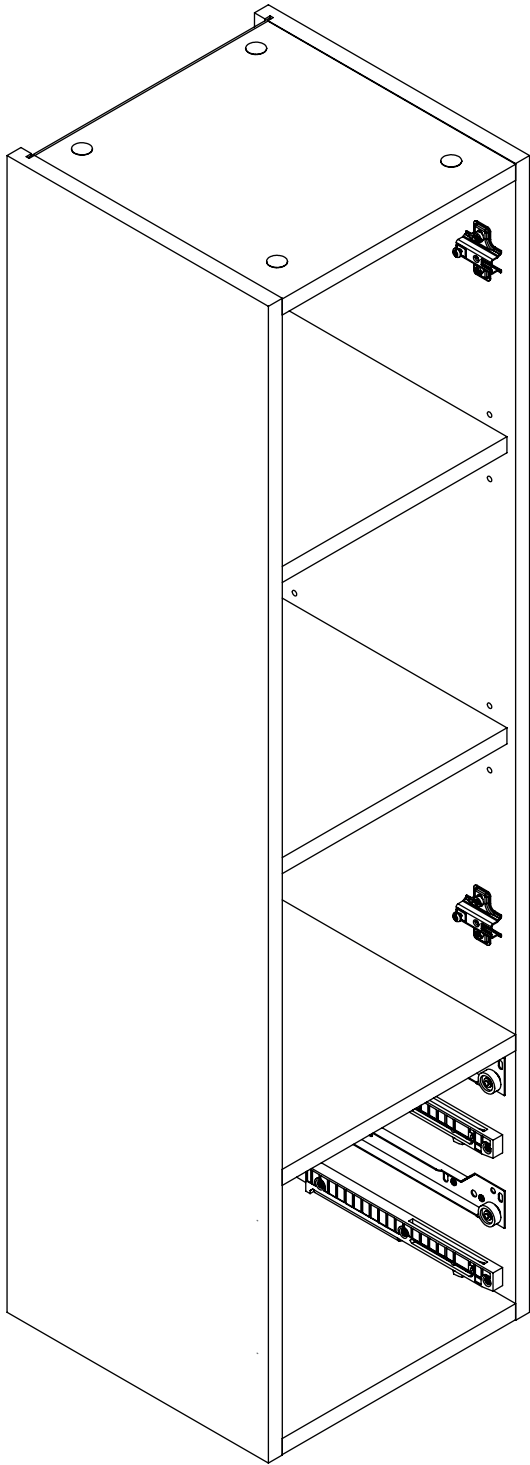
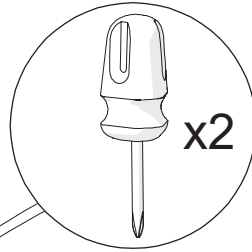
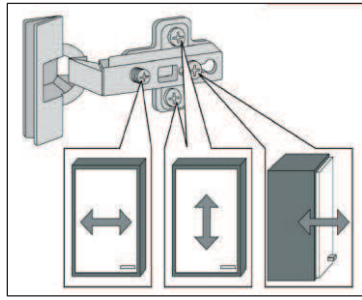
7



8

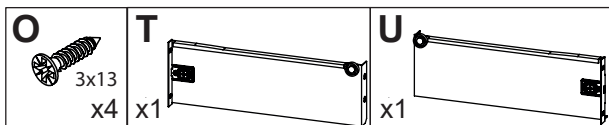
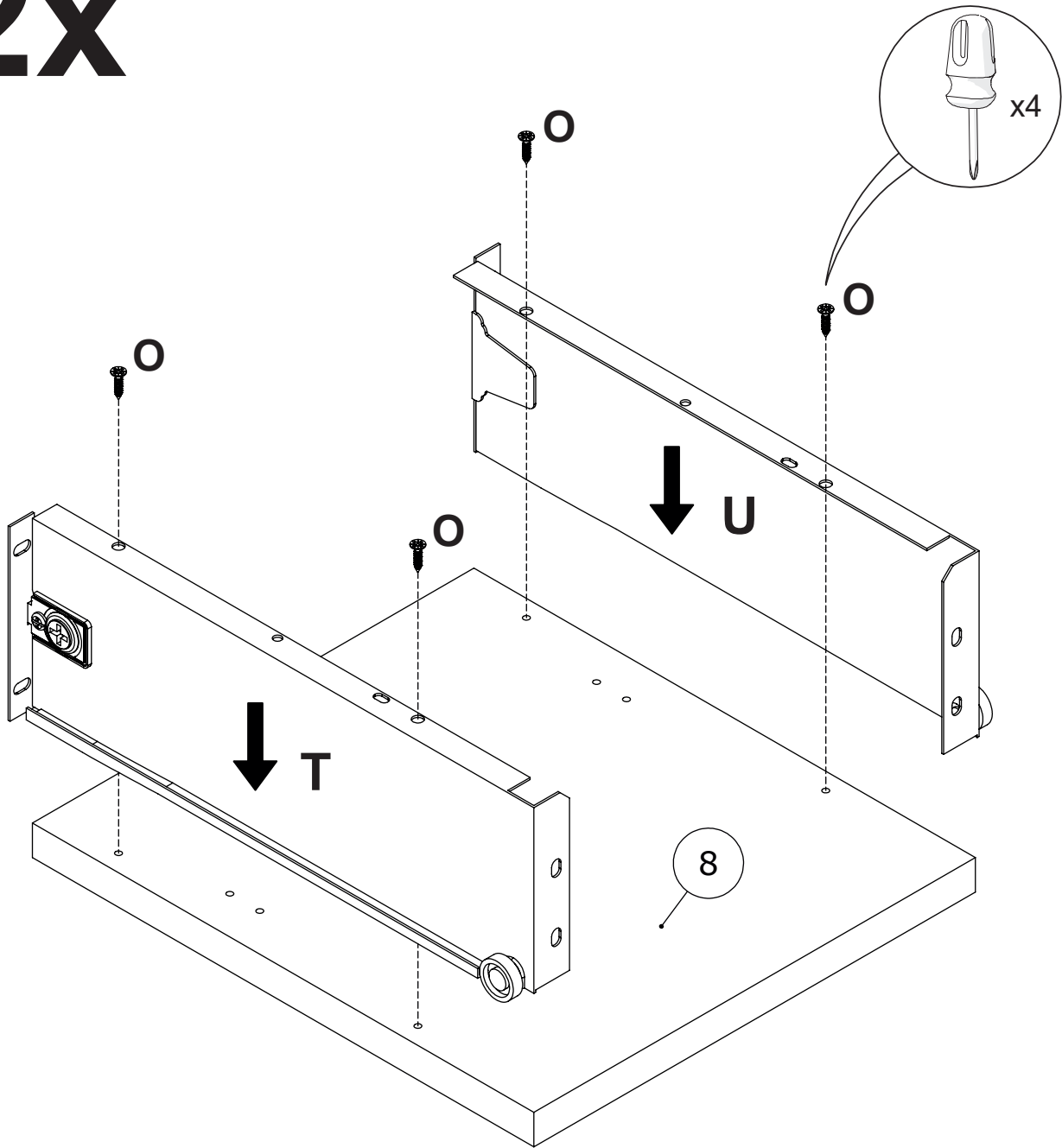


F  x2	I  x1	J  x2	K  3.5x13 x4
---	---	---	---

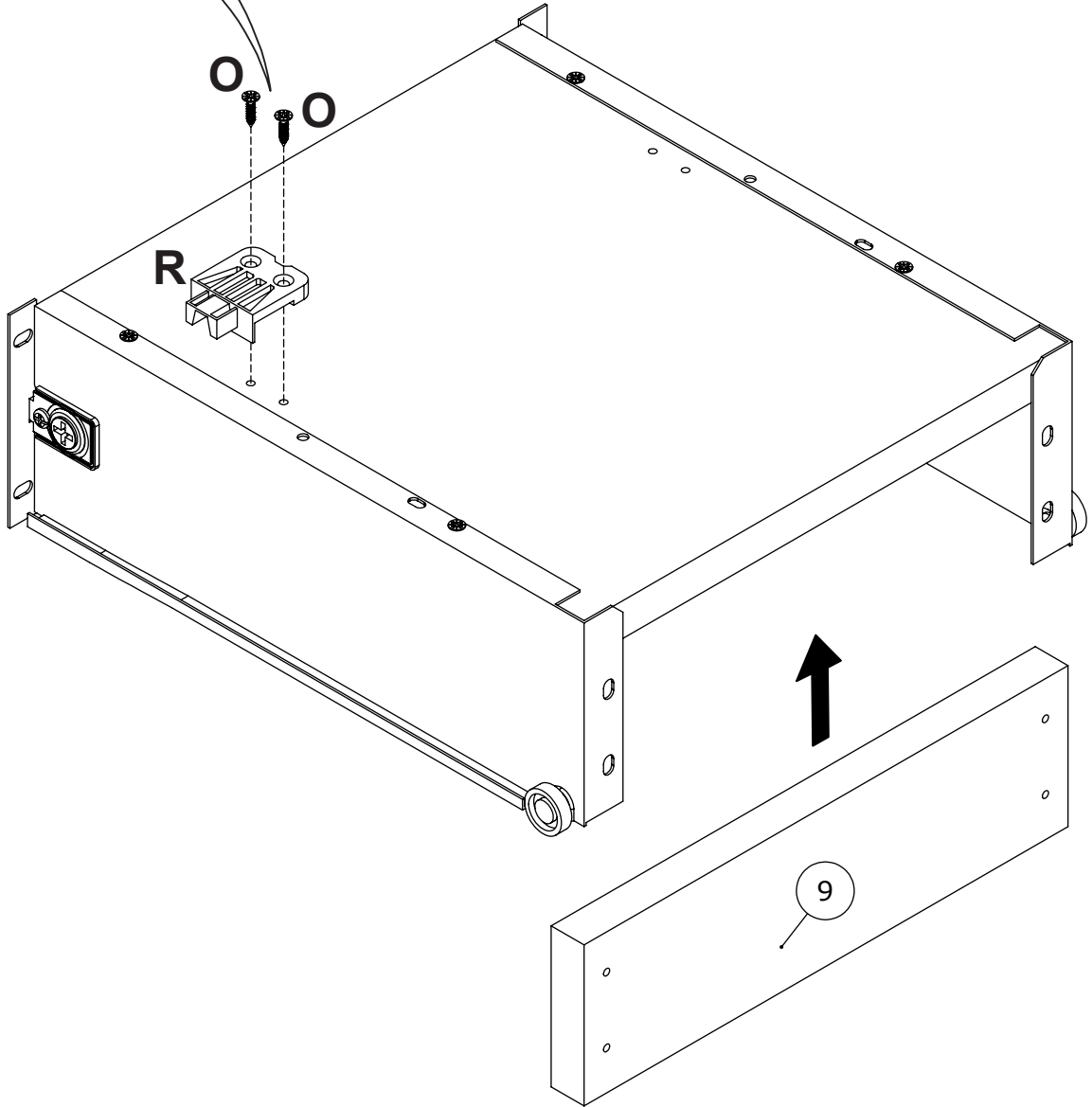
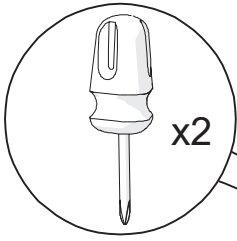


10

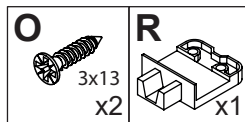
2x



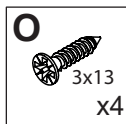
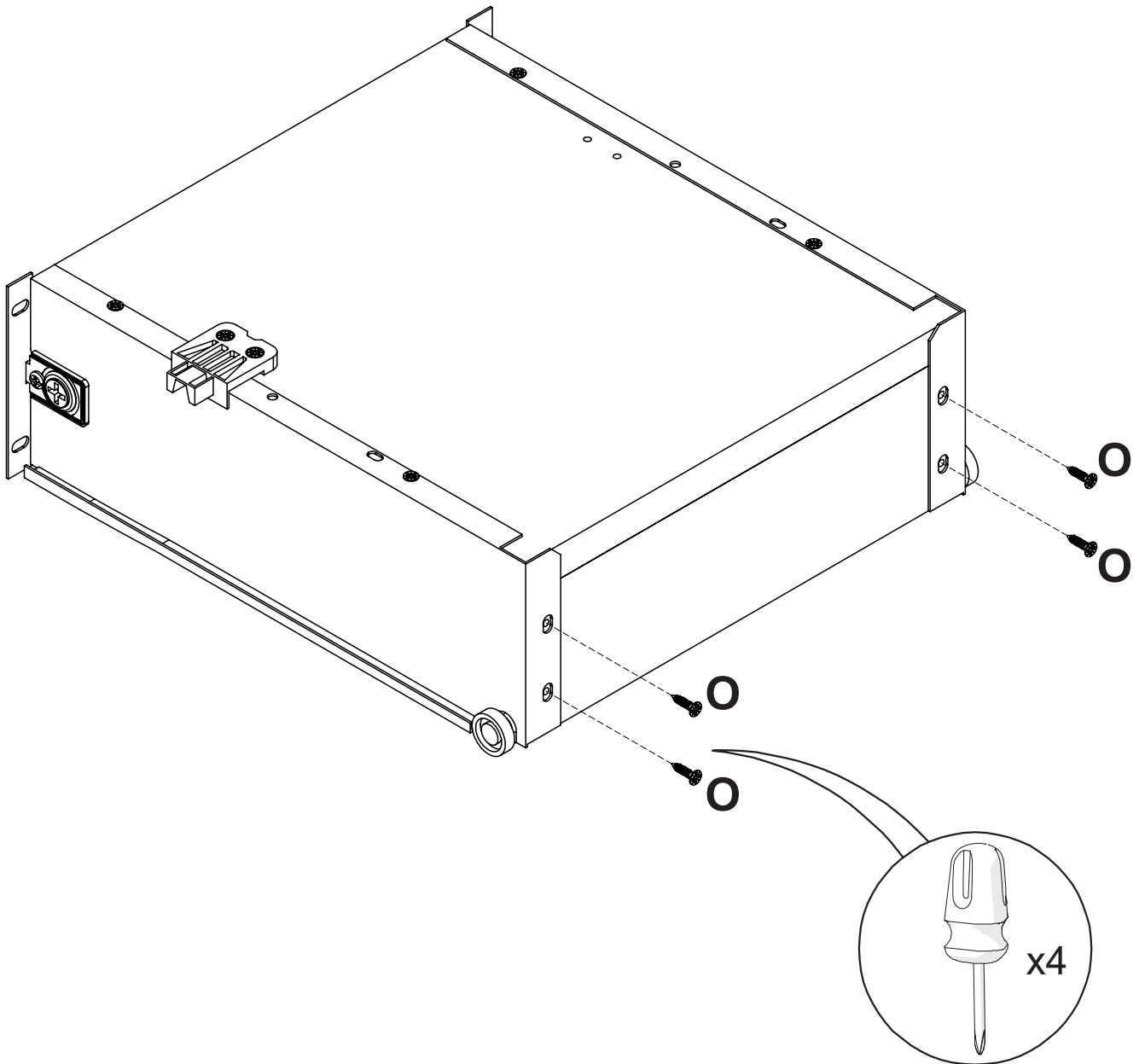
2x



12

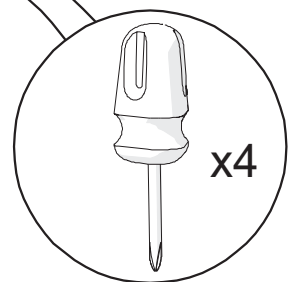
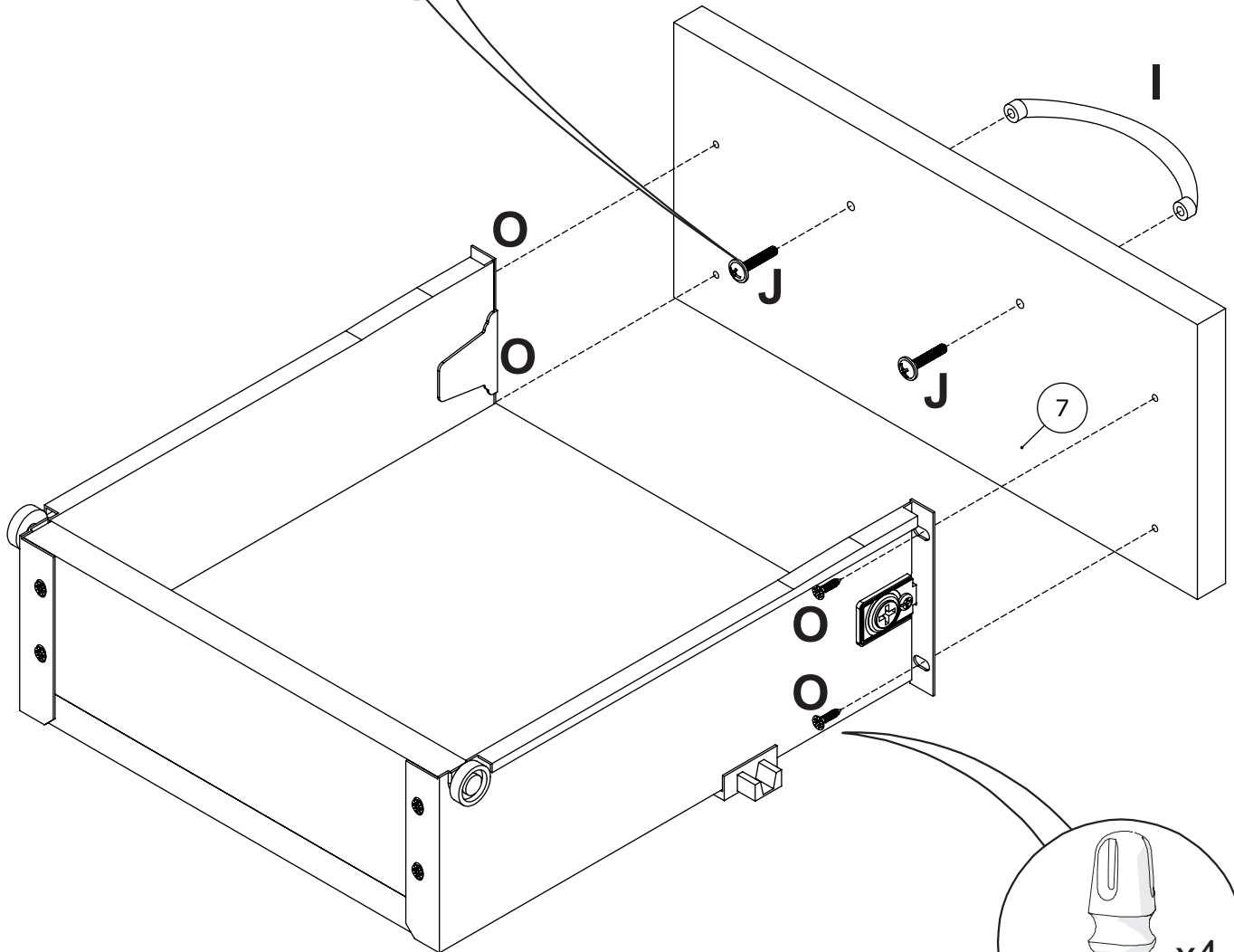
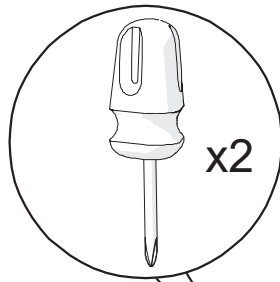
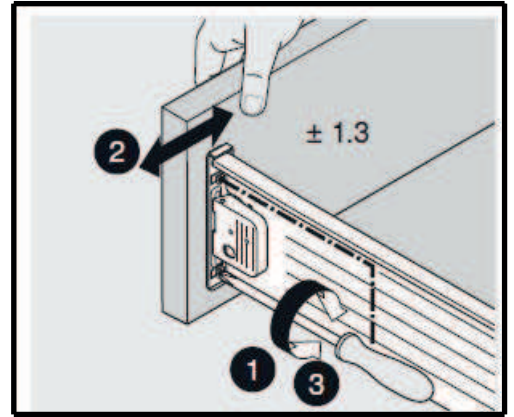


2x

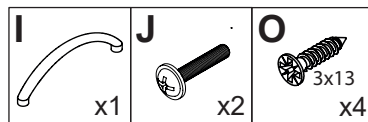


13

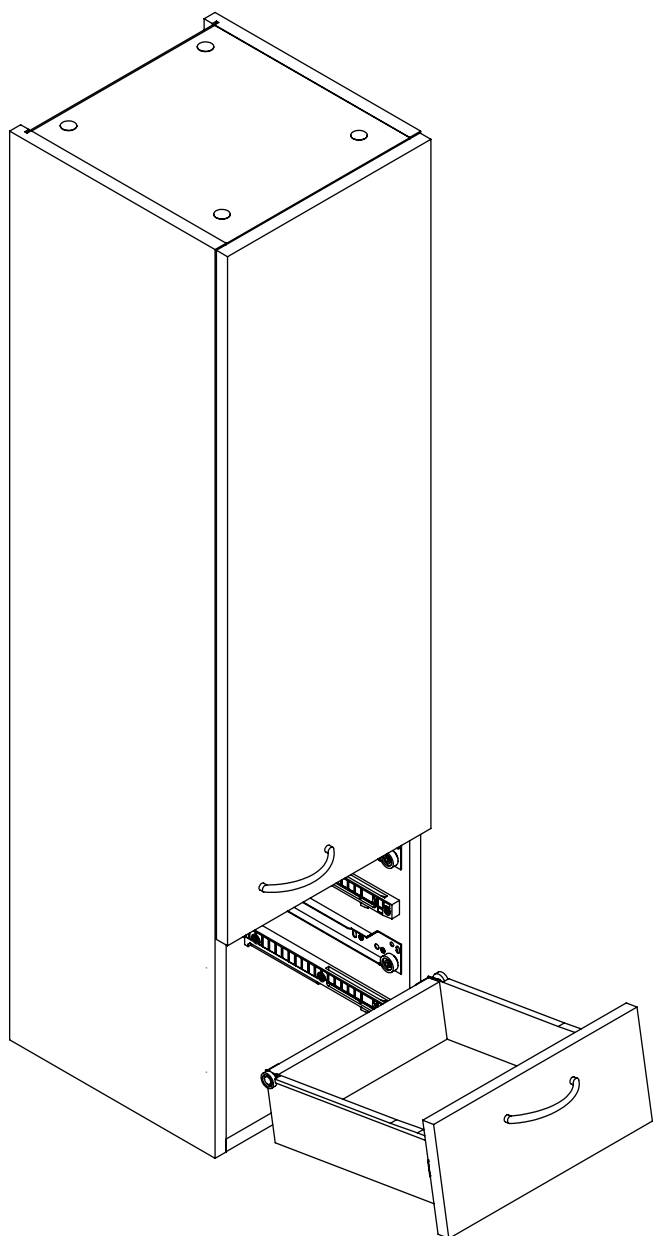
2x



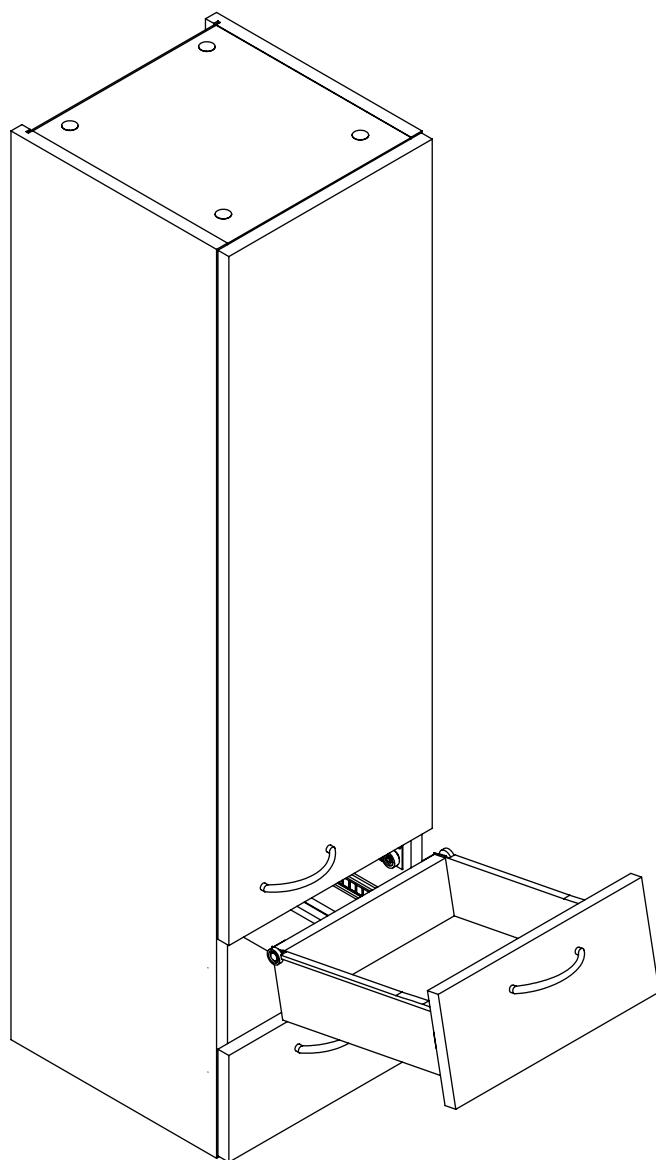
14



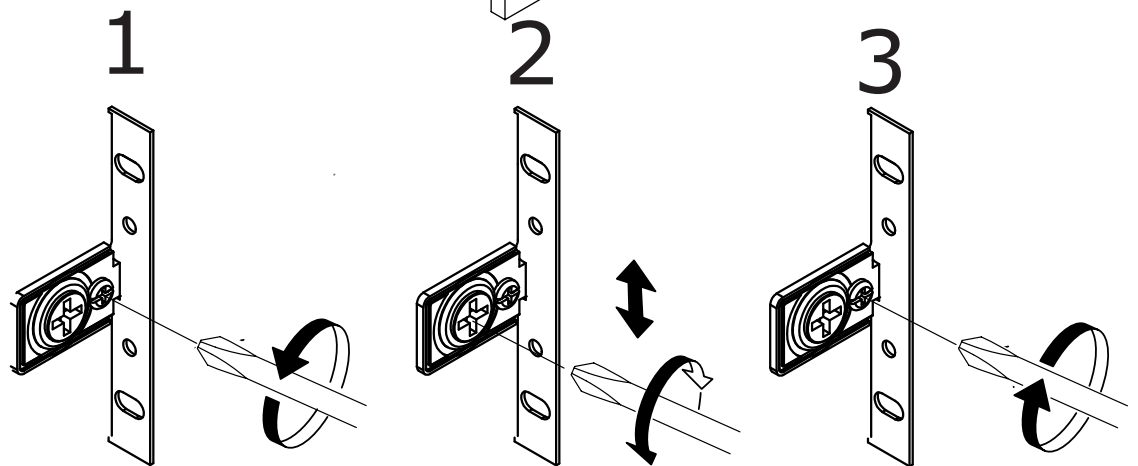
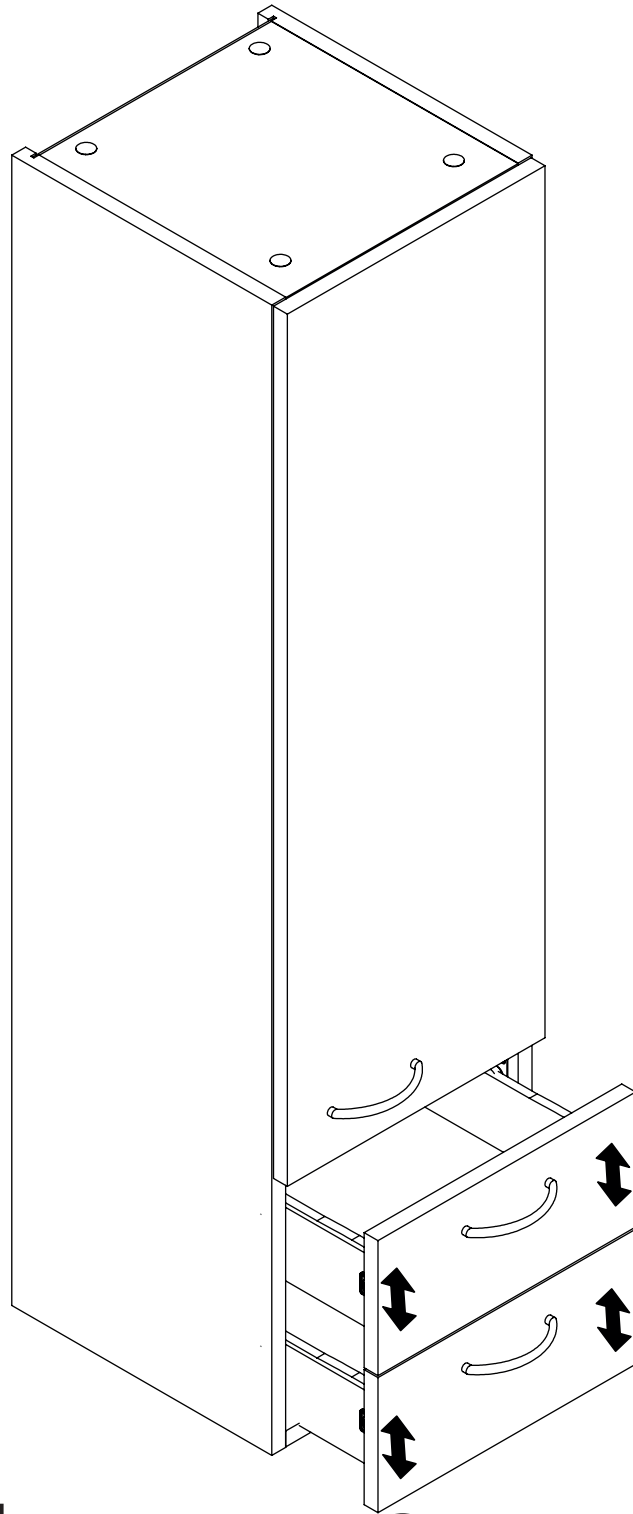
1



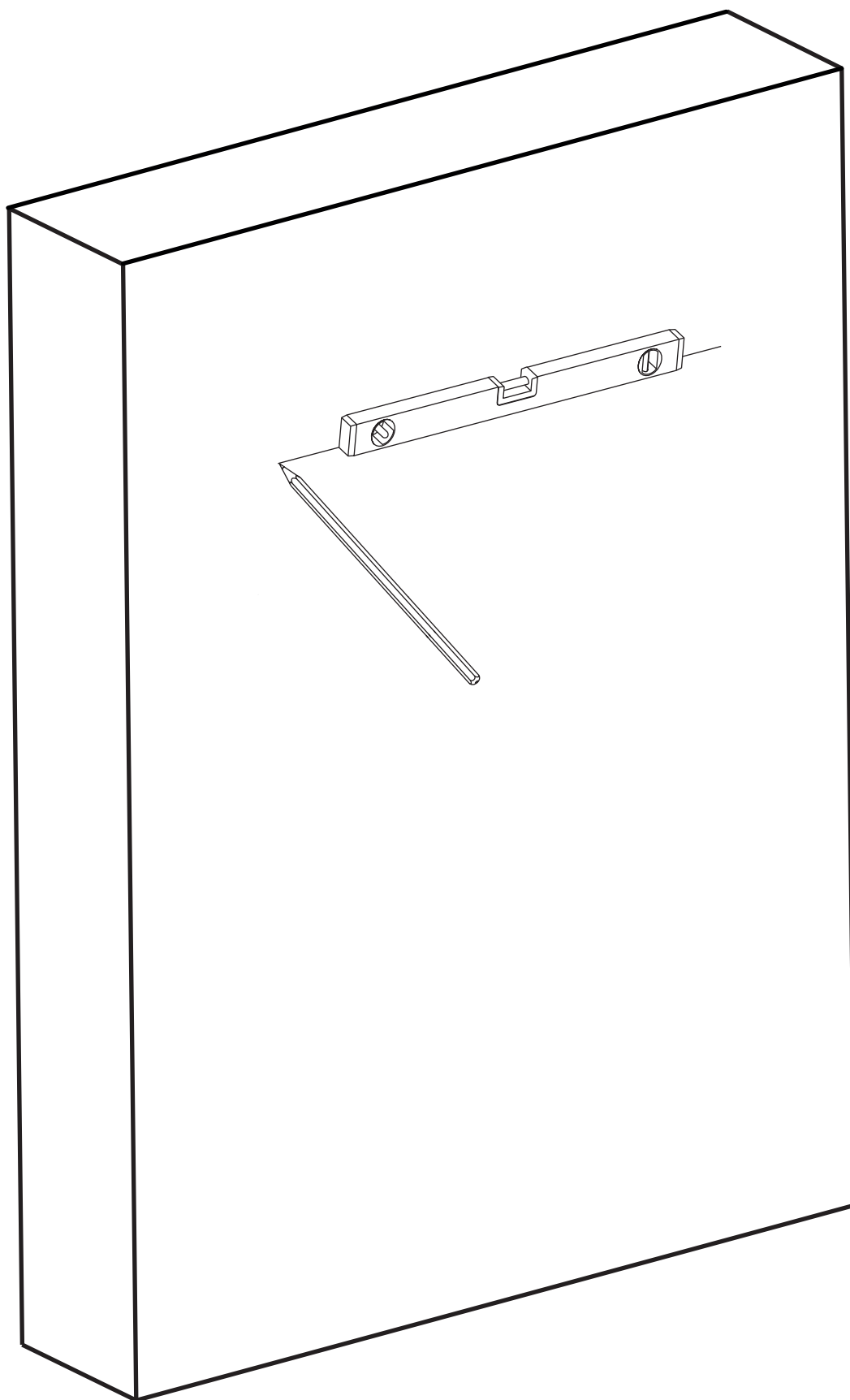
2

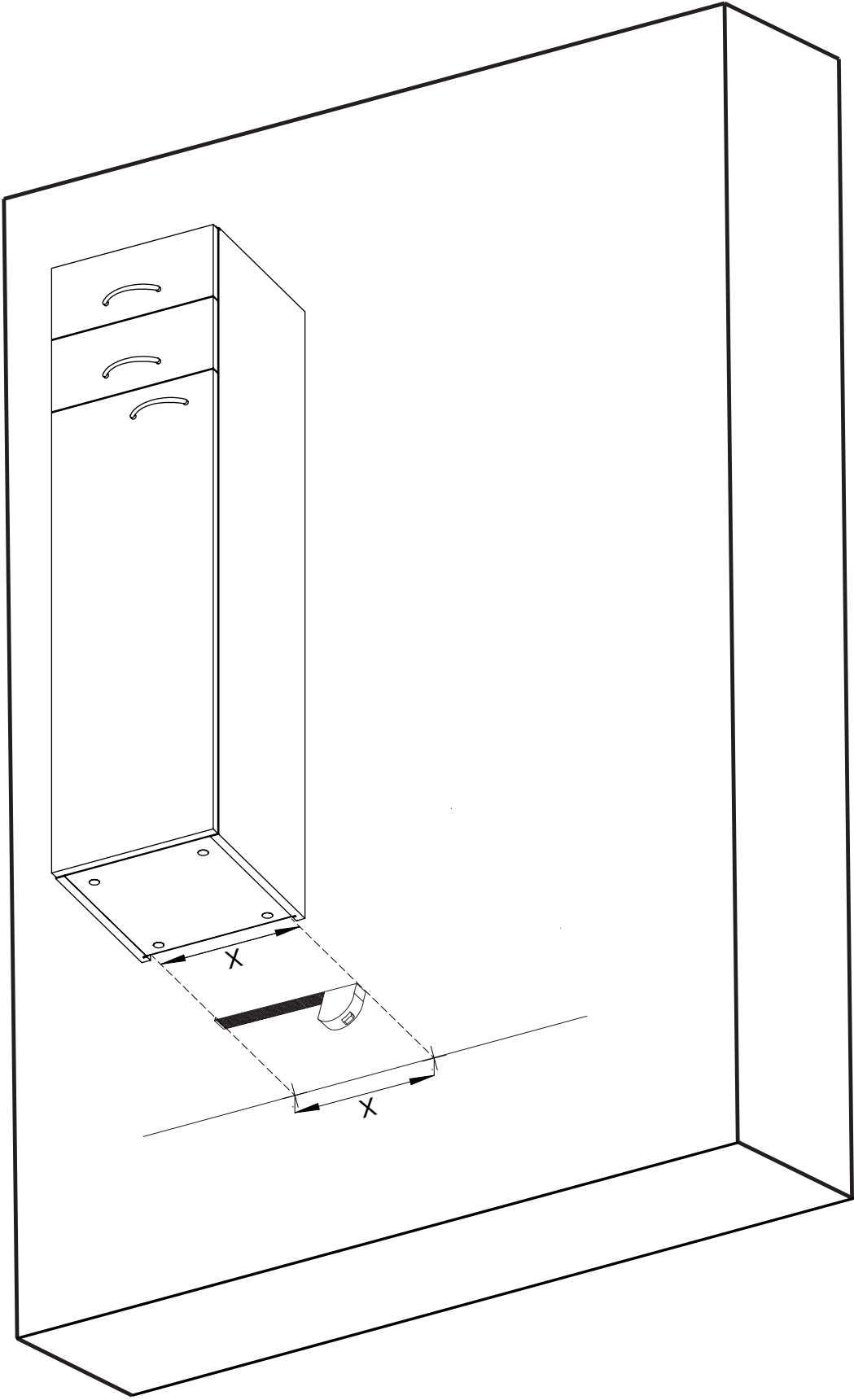


15

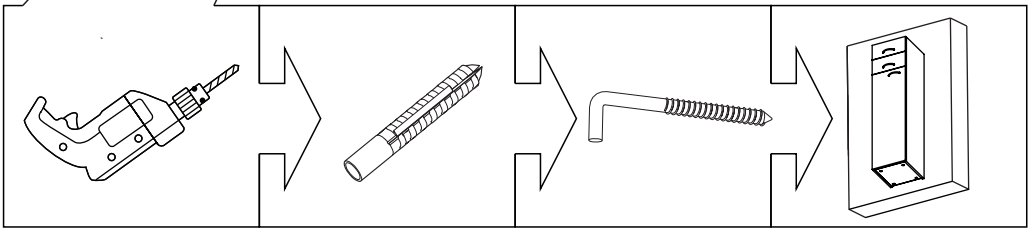
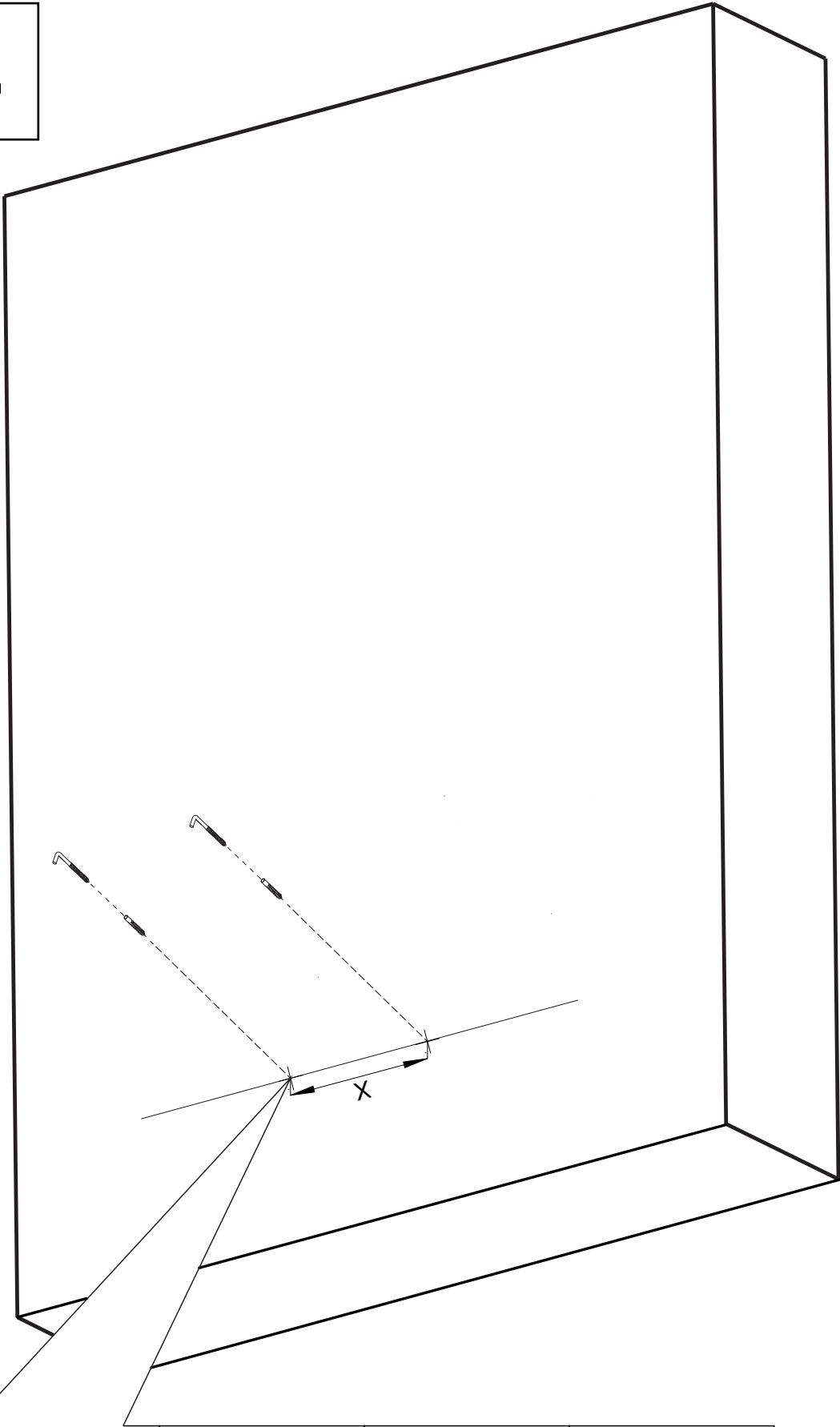


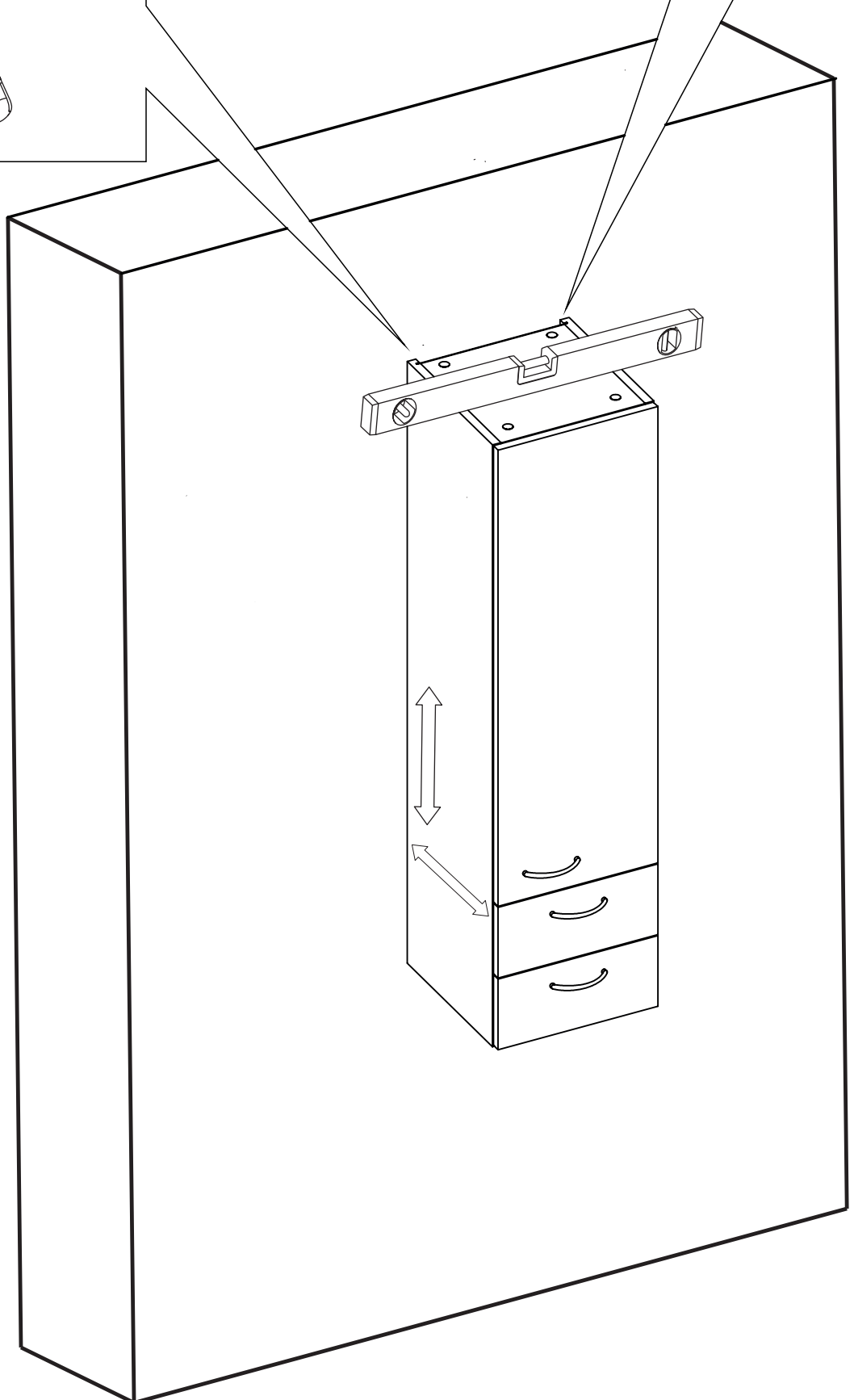
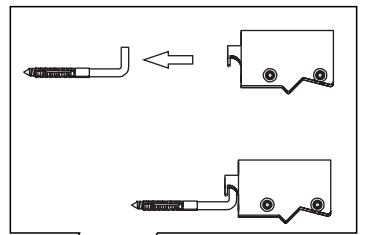
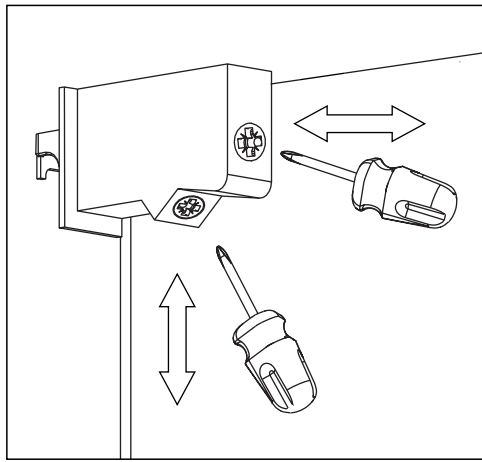
16





61





20