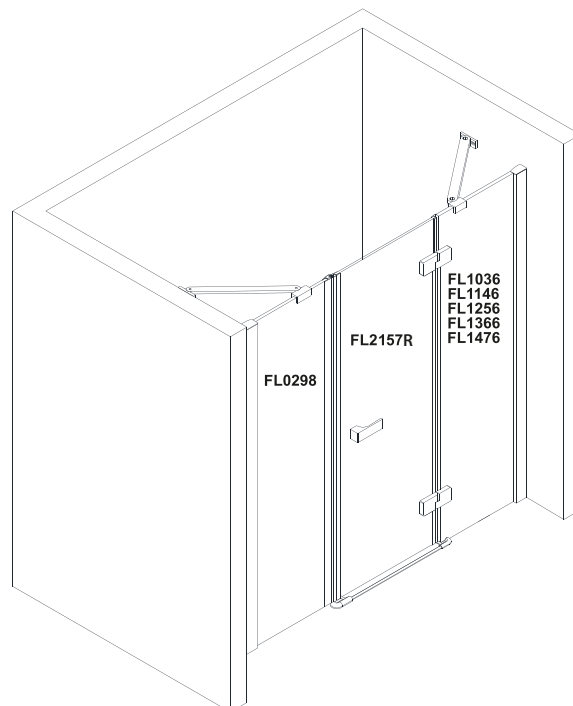
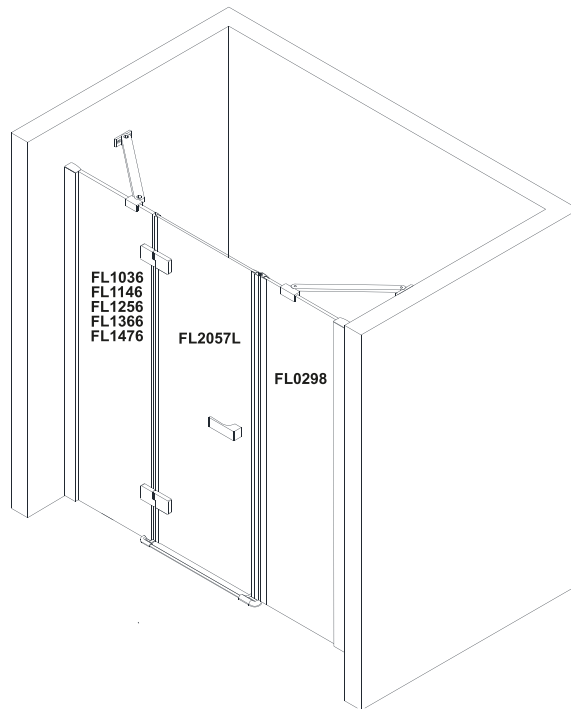
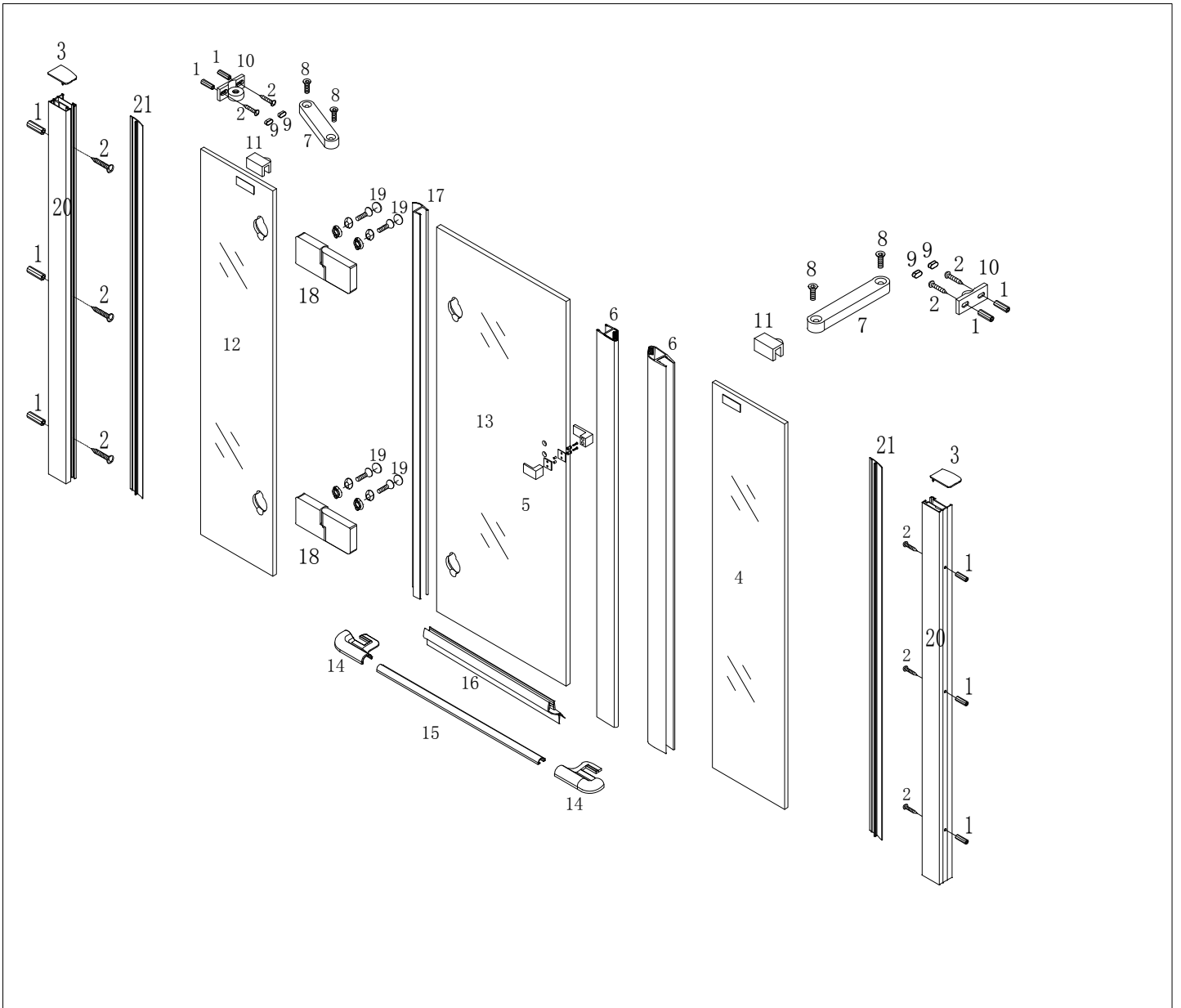


FORTIS LINE



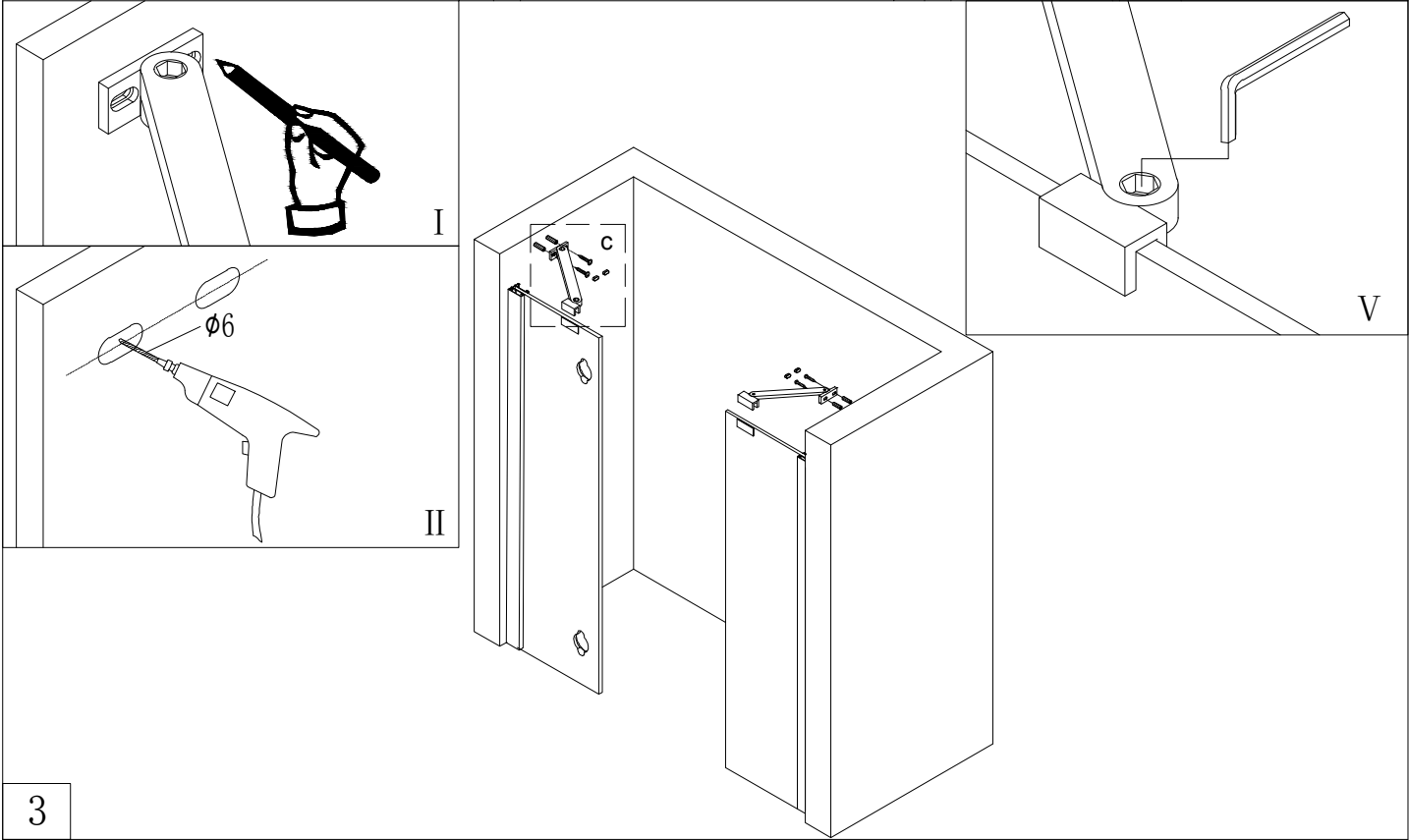
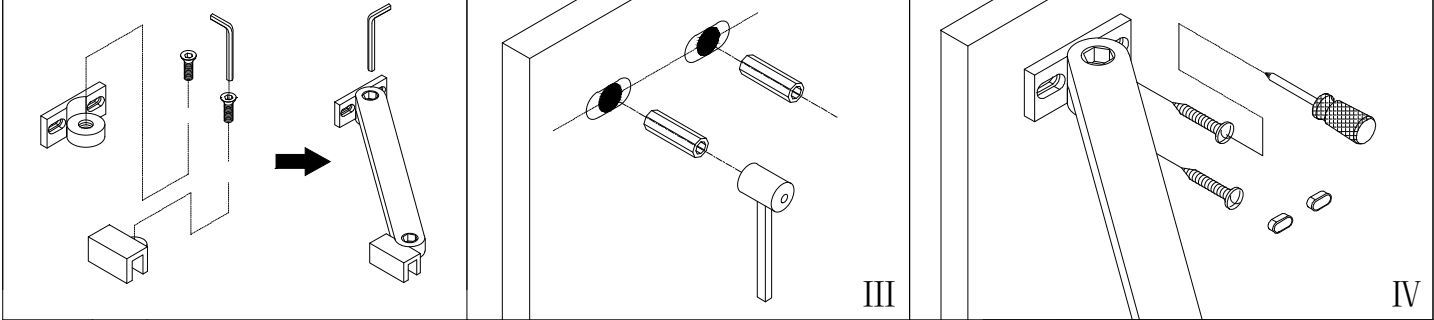
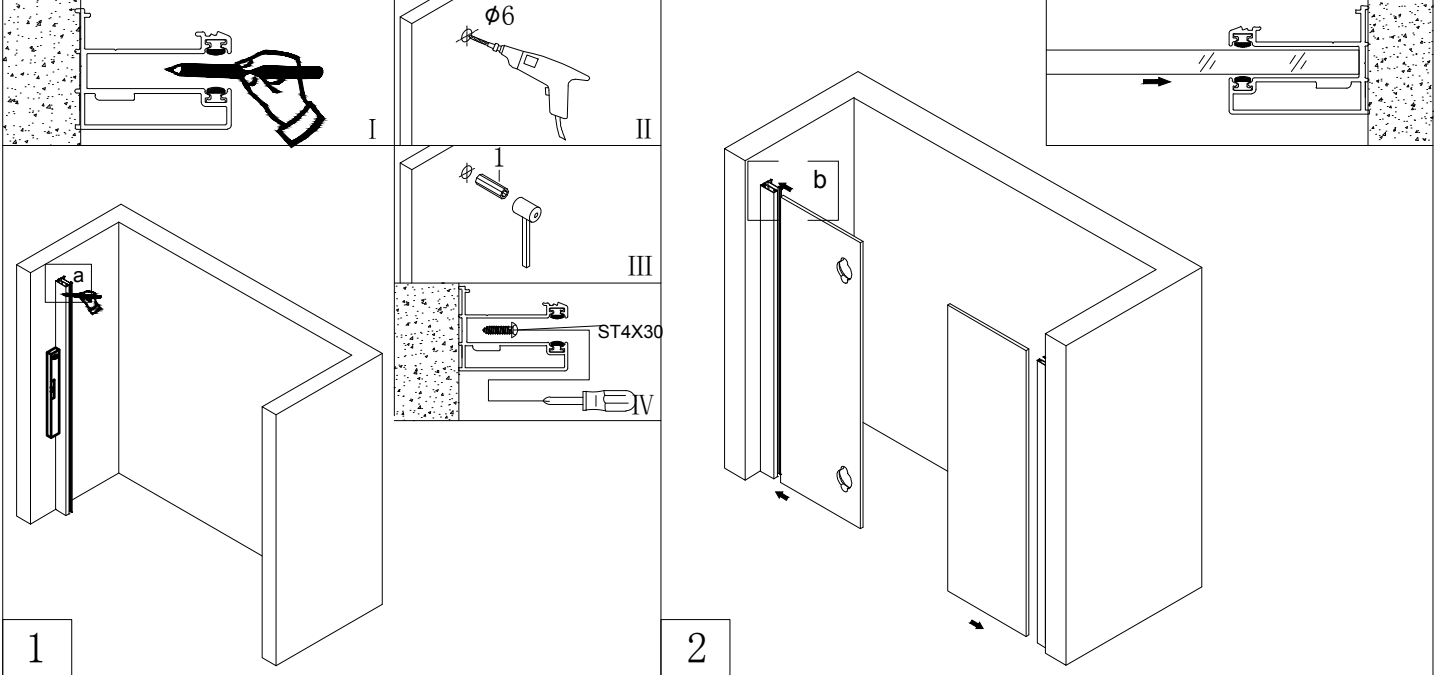
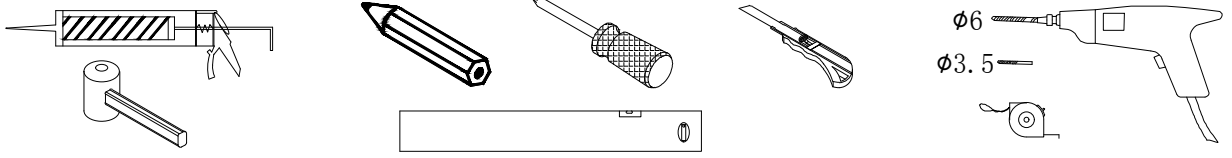
FL1036+FL2057L+FL0298=FL1513L
FL1146+FL2057L+FL0298=FL1514L
FL1256+FL2057L+FL0298=FL1515L

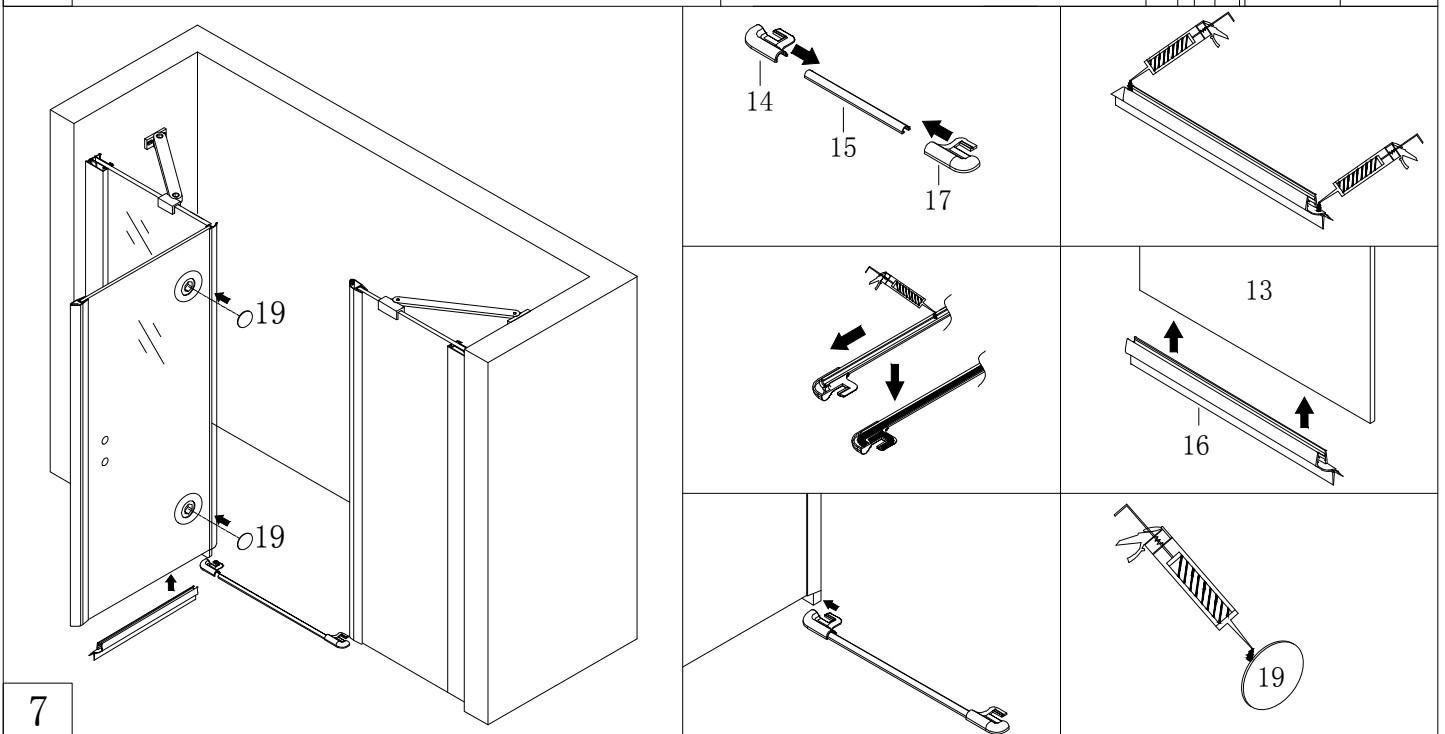
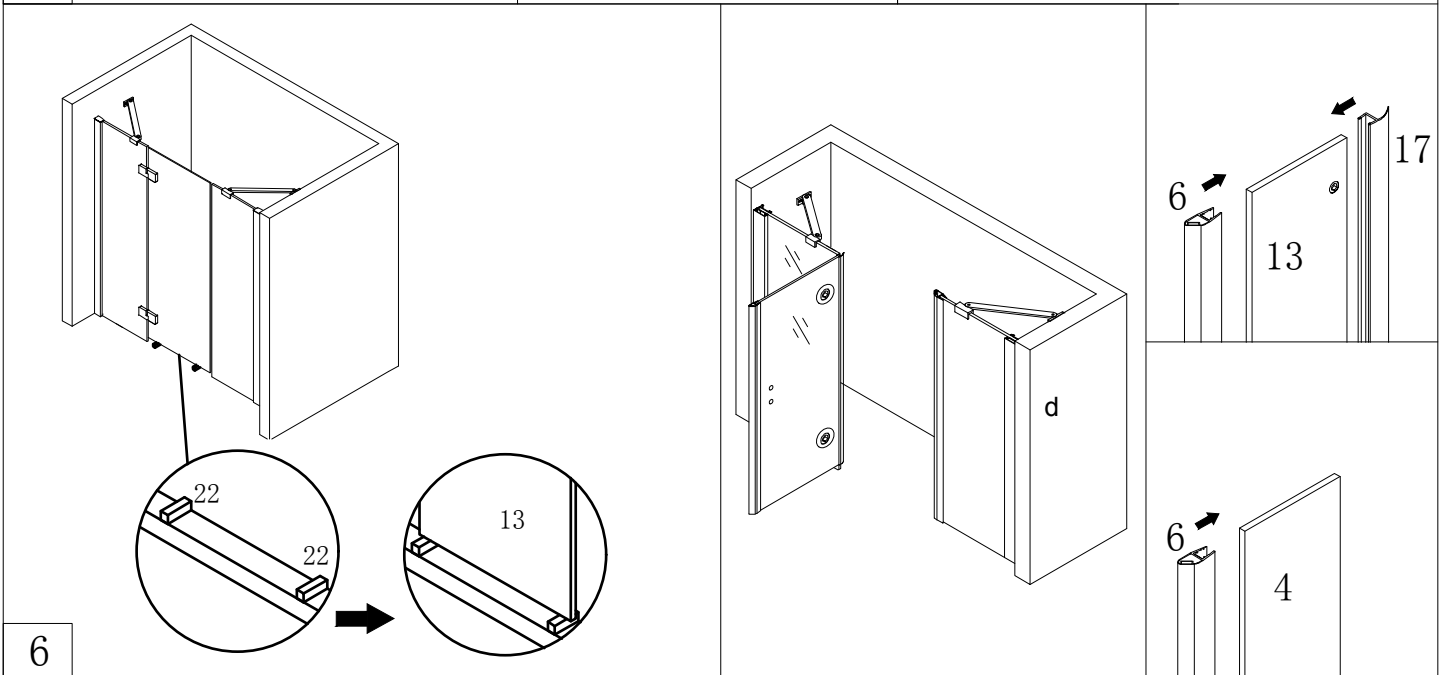
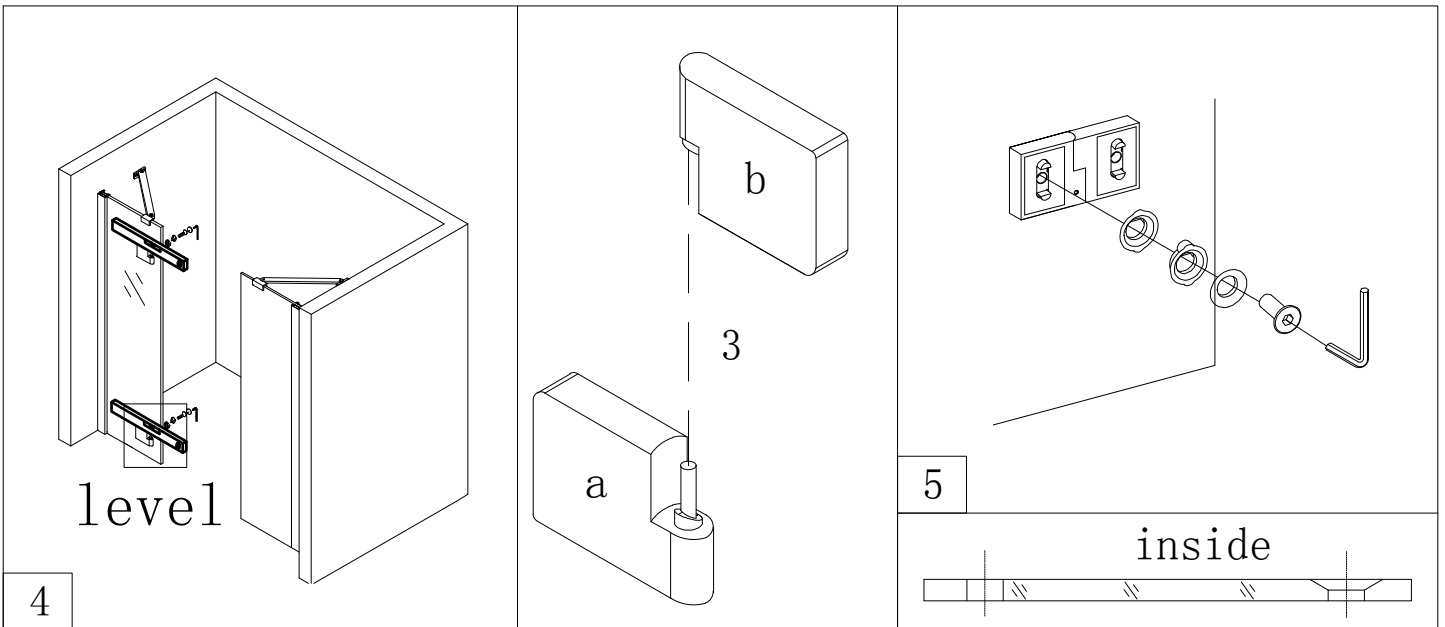
FL1036+FL2157R+FL0298=FL1513R
FL1146+FL2157R+FL0298=FL1514R
FL1256+FL2157R+FL0298=FL1515R

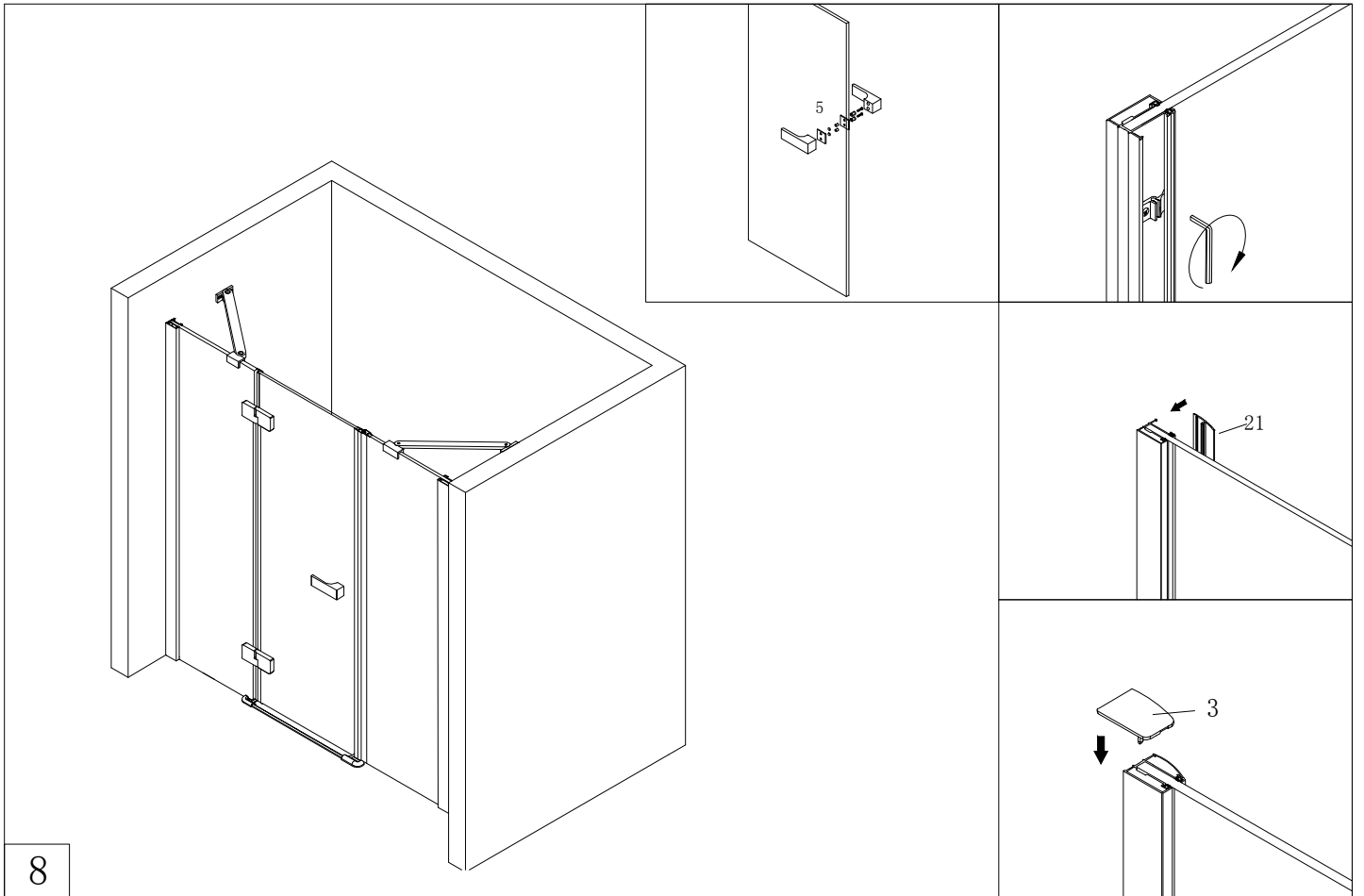


1	2 ST4X30 10Pcs	3 L R 2Pcs	4 1Pcs	5 1Pcs	6 2Pcs
7	8 4Pcs	9 4Pcs	10 2Pcs	11 2Pcs	12 II 1Pcs
13 1Pcs	14 2Pcs	15 1Pcs	16 1Pcs	17 1Pcs	18 2Pcs
19 4Pcs	20 2Pcs	21 2Pcs	22 2Pcs		

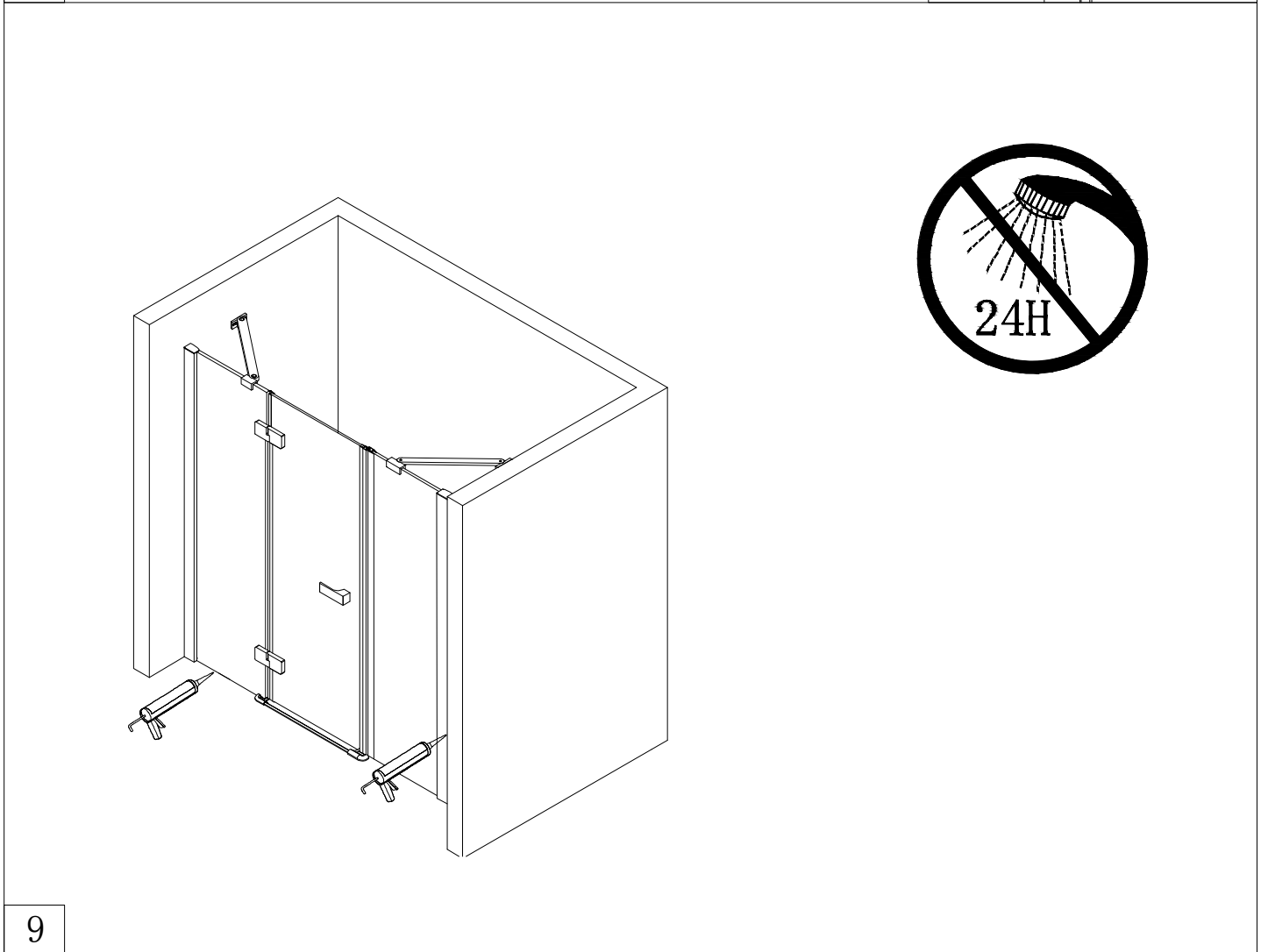
Tools:







8



9



Nesměřice 52
285 22 Zruč nad Sázavou
Česká republika

tel.: +420 327 585 981

fax: +420 327 585 989

www.polysan.net