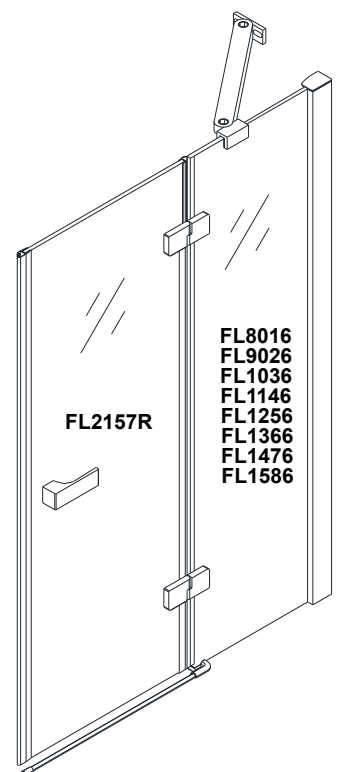
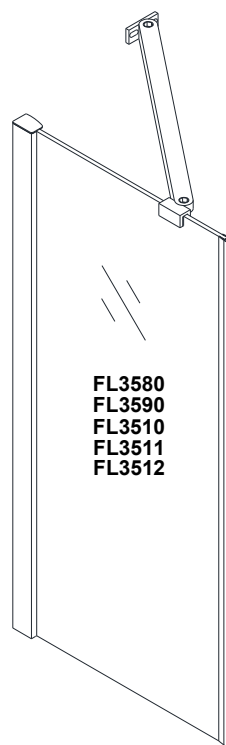
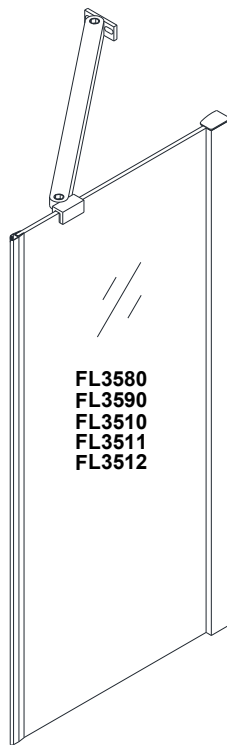
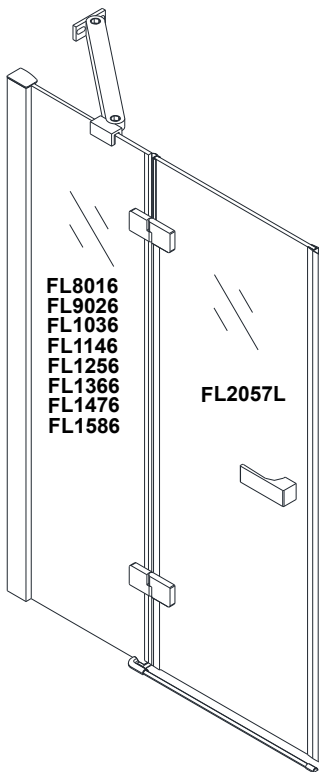
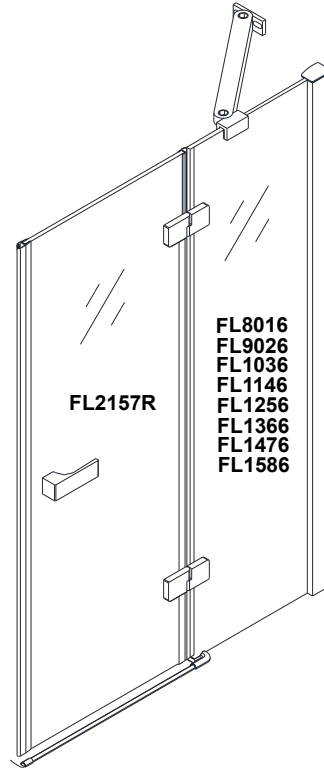
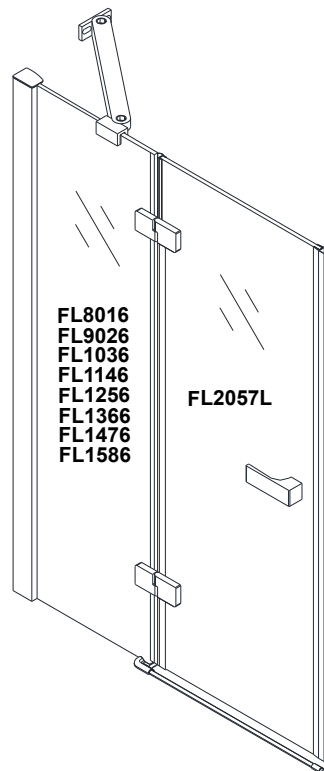
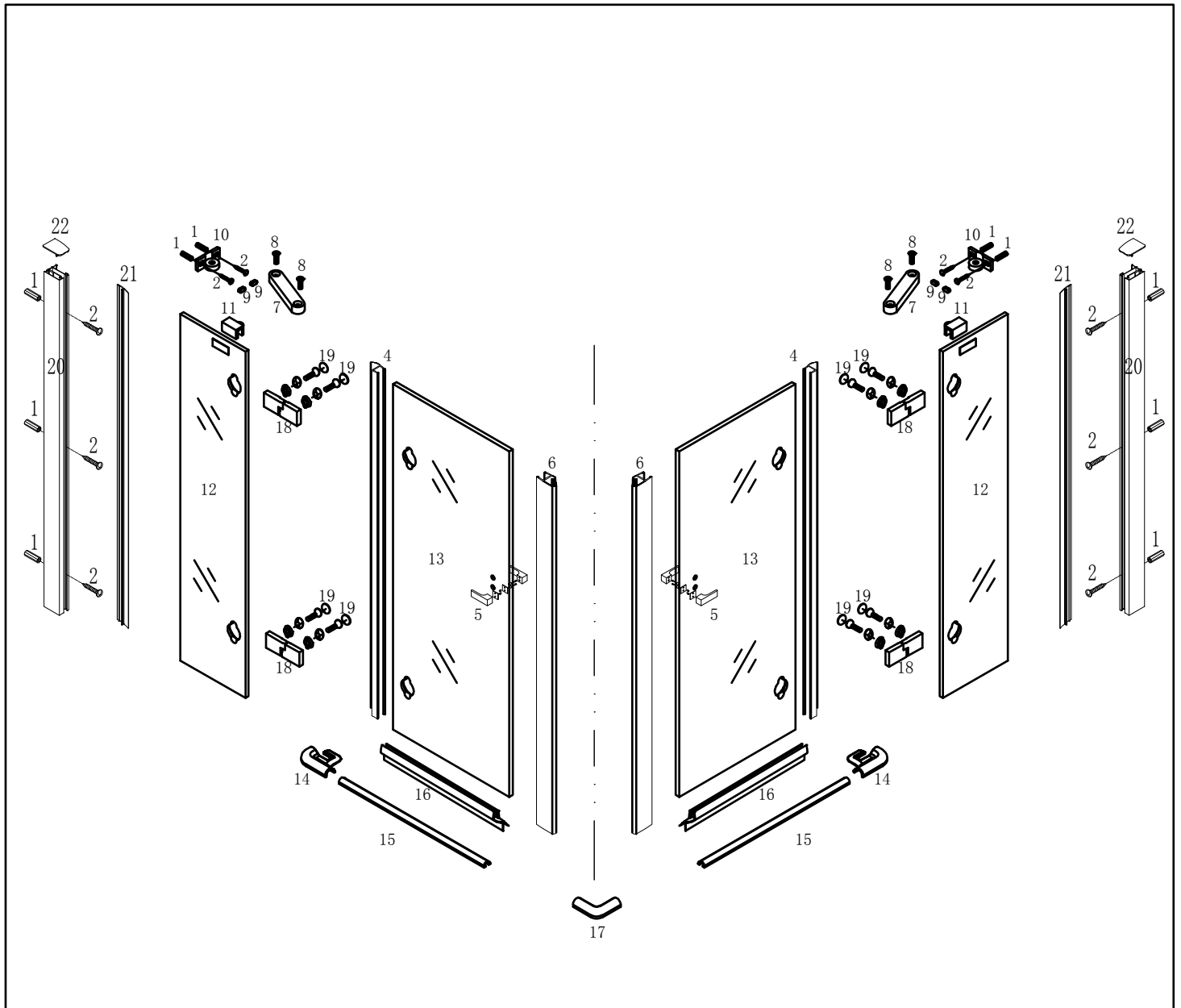


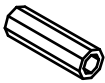


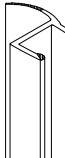
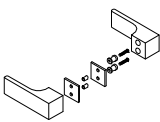
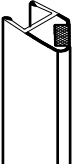
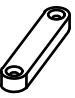


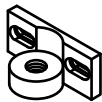
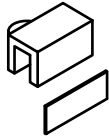
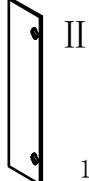
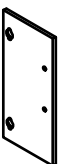

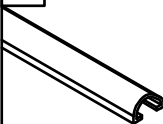


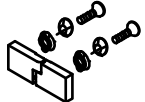

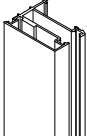
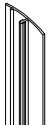
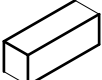
# FORTIS LINE



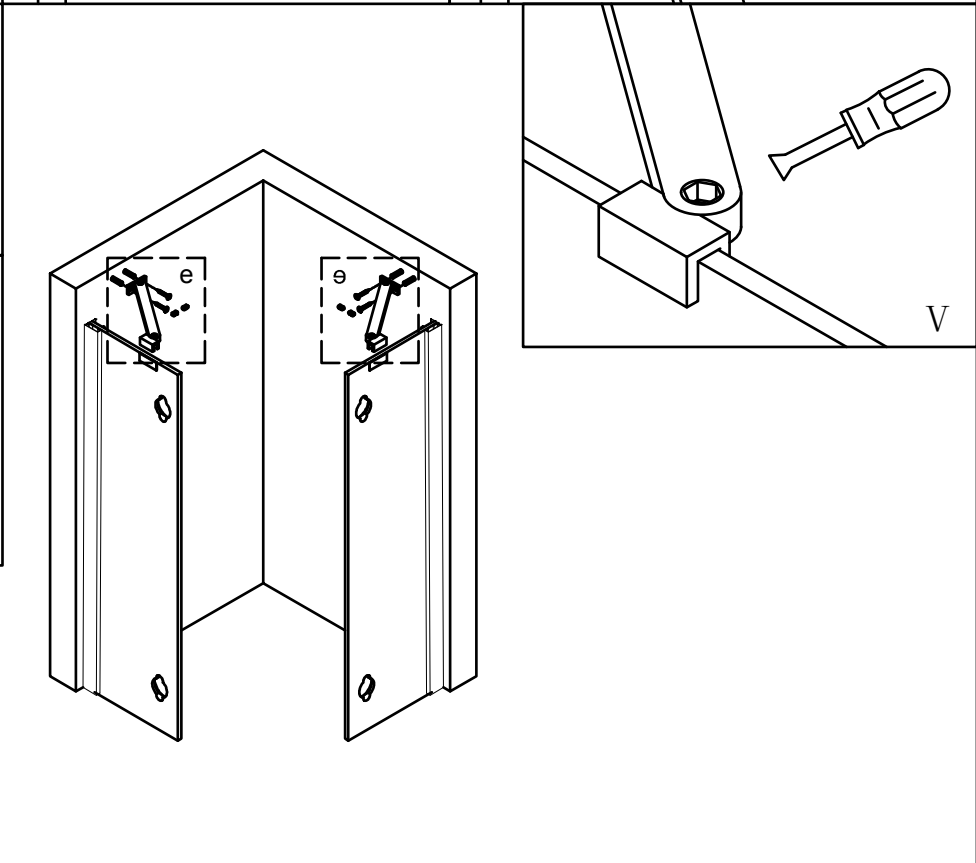
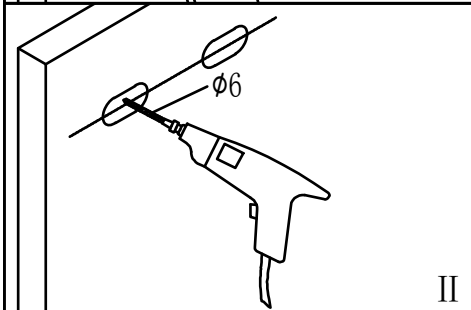
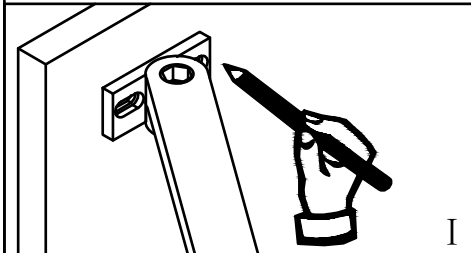
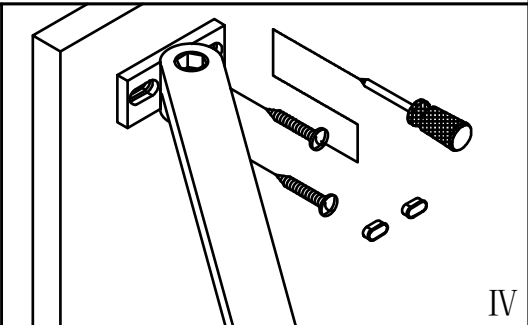
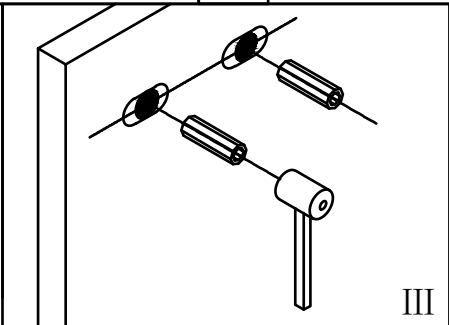
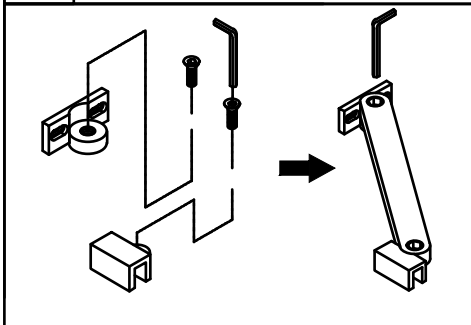
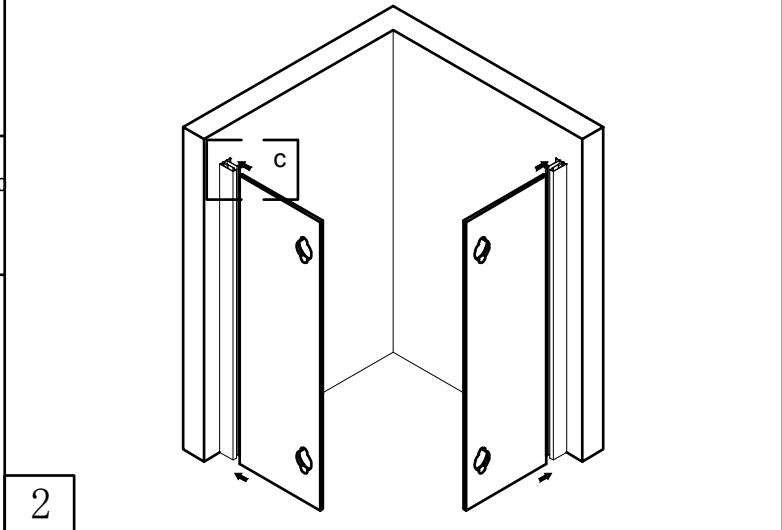
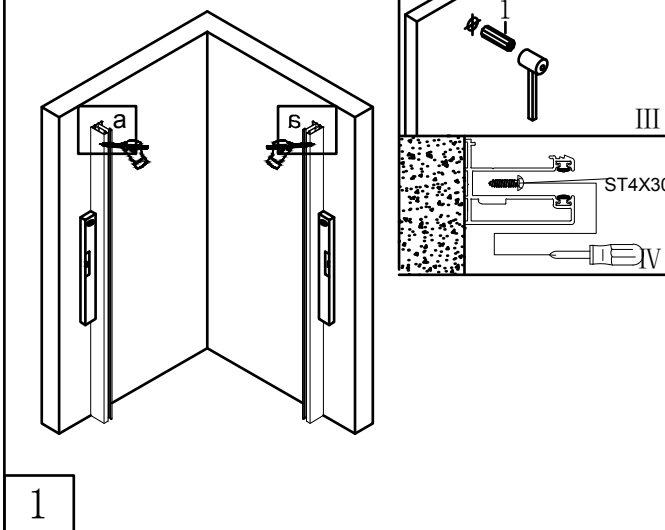
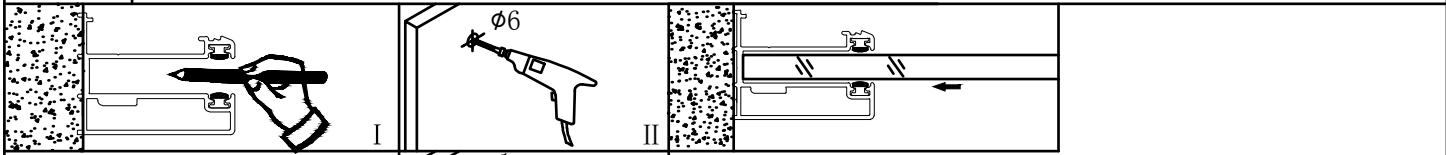
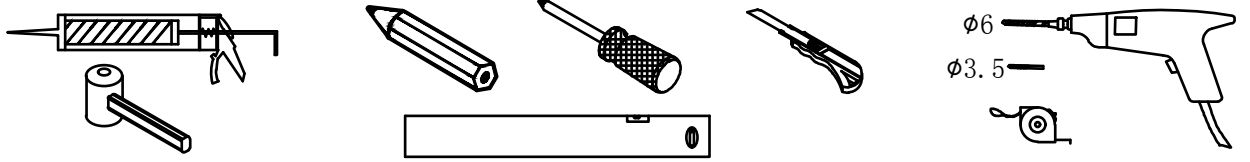
**FL2057L+FL8016 = FL1080L**  
**FL2057L+FL9026 = FL1090L**  
**FL2057L+FL1036 = FL1010L**  
**FL2057L+FL1146 = FL1011L**  
**FL2057L+FL1256 = FL1012L**  
**FL2057L+FL1366 = FL1113L**  
**FL2057L+FL1476 = FL1114L**  
**FL2057L+FL1586 = FL1115L**

**FL2157R+FL8016 = FL1080R**  
**FL2157R+FL9026 = FL1090R**  
**FL2157R+FL1036 = FL1010R**  
**FL2157R+FL1146 = FL1011R**  
**FL2157R+FL1256 = FL1012R**  
**FL2157R+FL1366 = FL1113R**  
**FL2157R+FL1476 = FL1114R**  
**FL2157R+FL1586 = FL1115R**

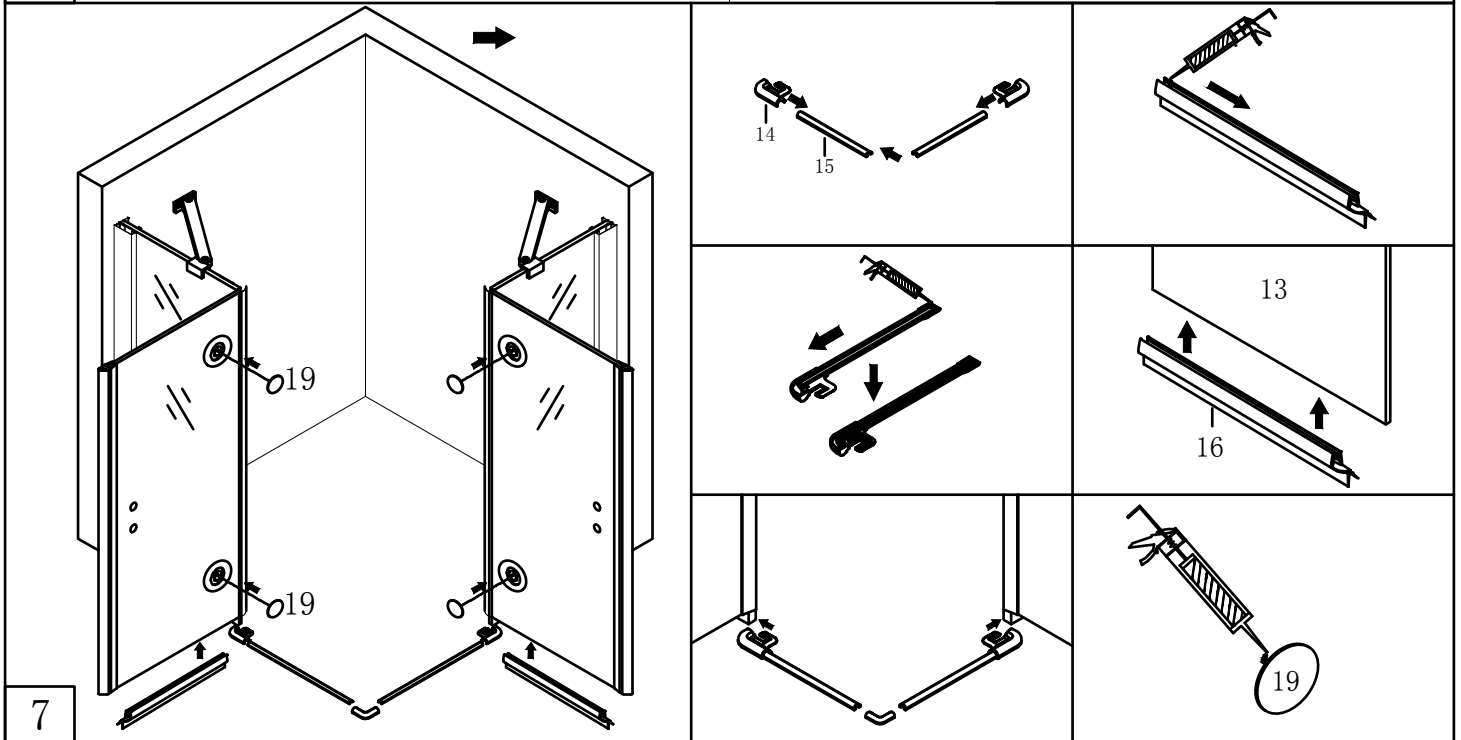
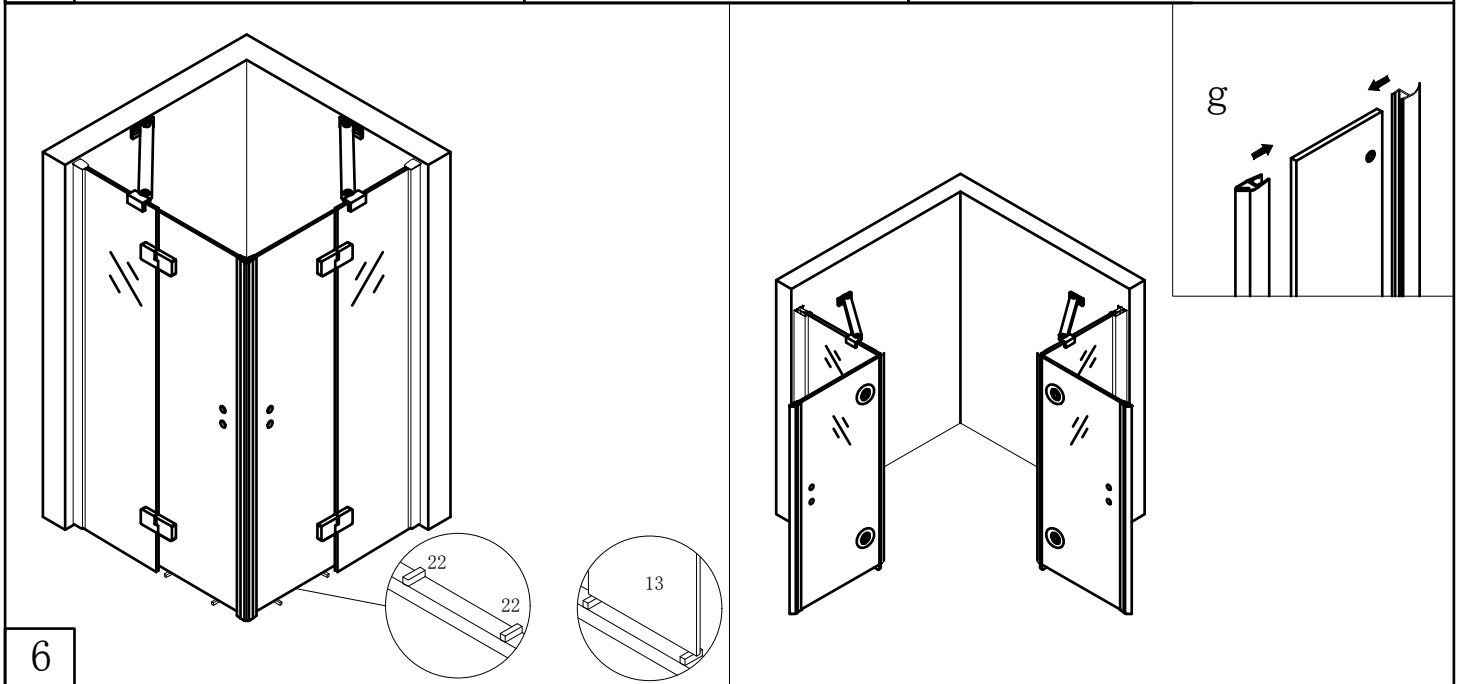
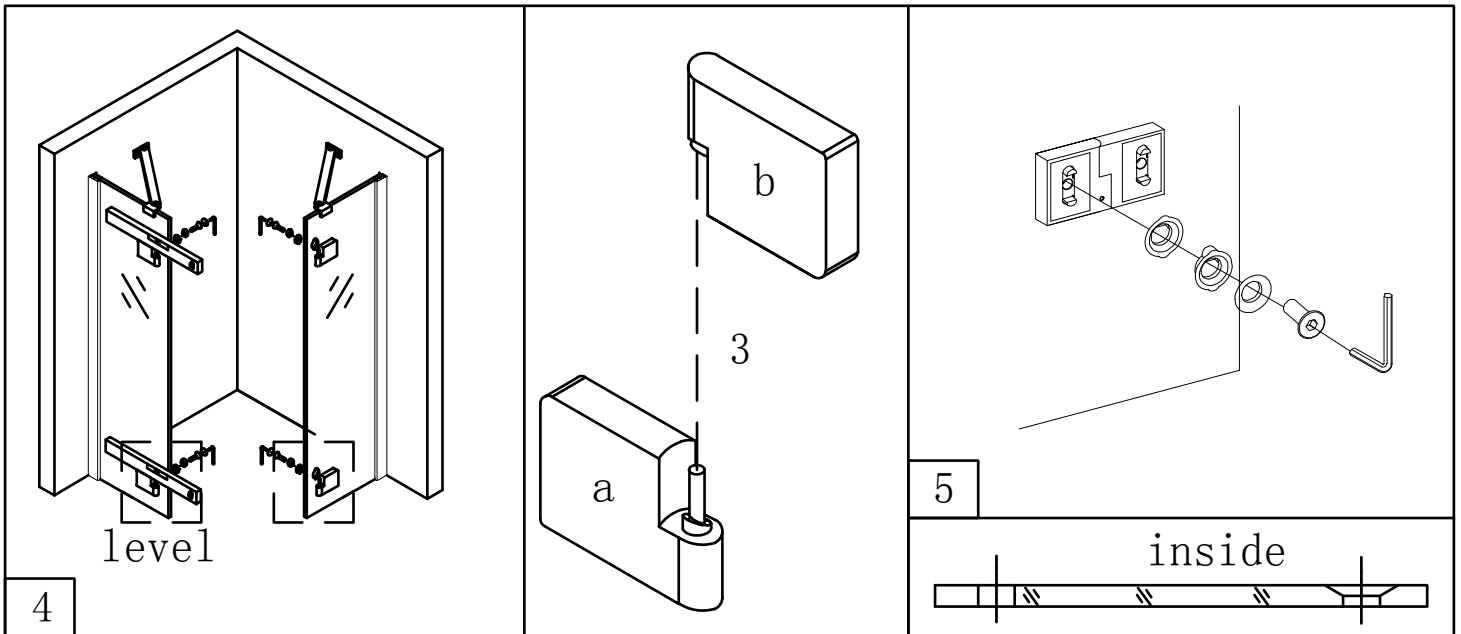


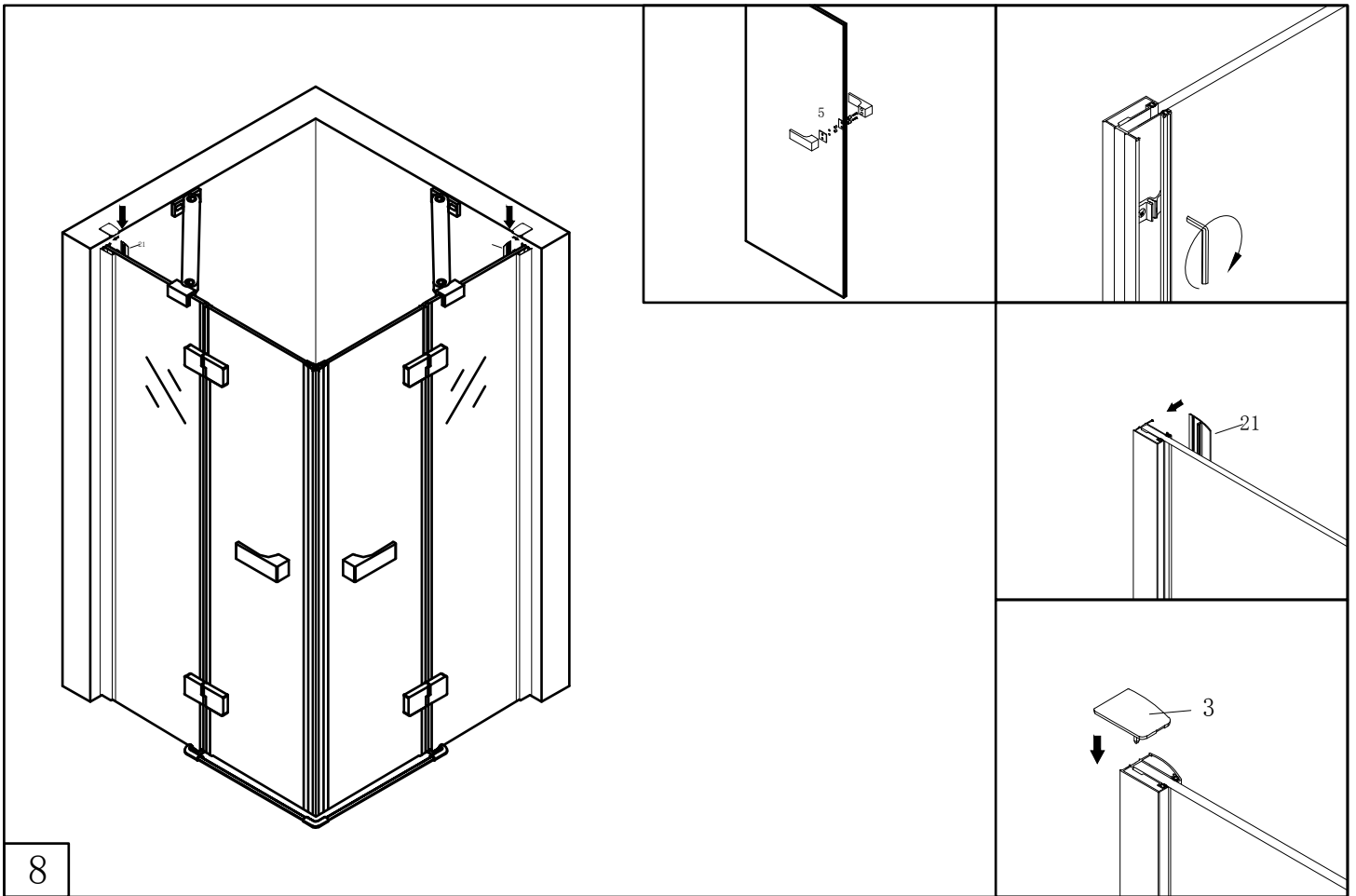
1	 5+5Pcs	2	ST4X30  5+5Pcs	3	L R  1+1Pc	4	 1+1Pc	5	 1Pc	6	 1+1Pc
7	 1+1Pc	8	 2+2Pcs	9	 2+2Pcs	10	 1+1Pc	11	 1+1Pc	12	II  1+1Pc
13	 1+1Pc	14	 1+1Pc	15	 1+1Pc	16	 1+1Pc	17	 1Pc	18	 2+2Pcs
19	 4+4Pcs	20	 1+1Pc	21	 1+1Pc	22	 2Pcs				

Tools:

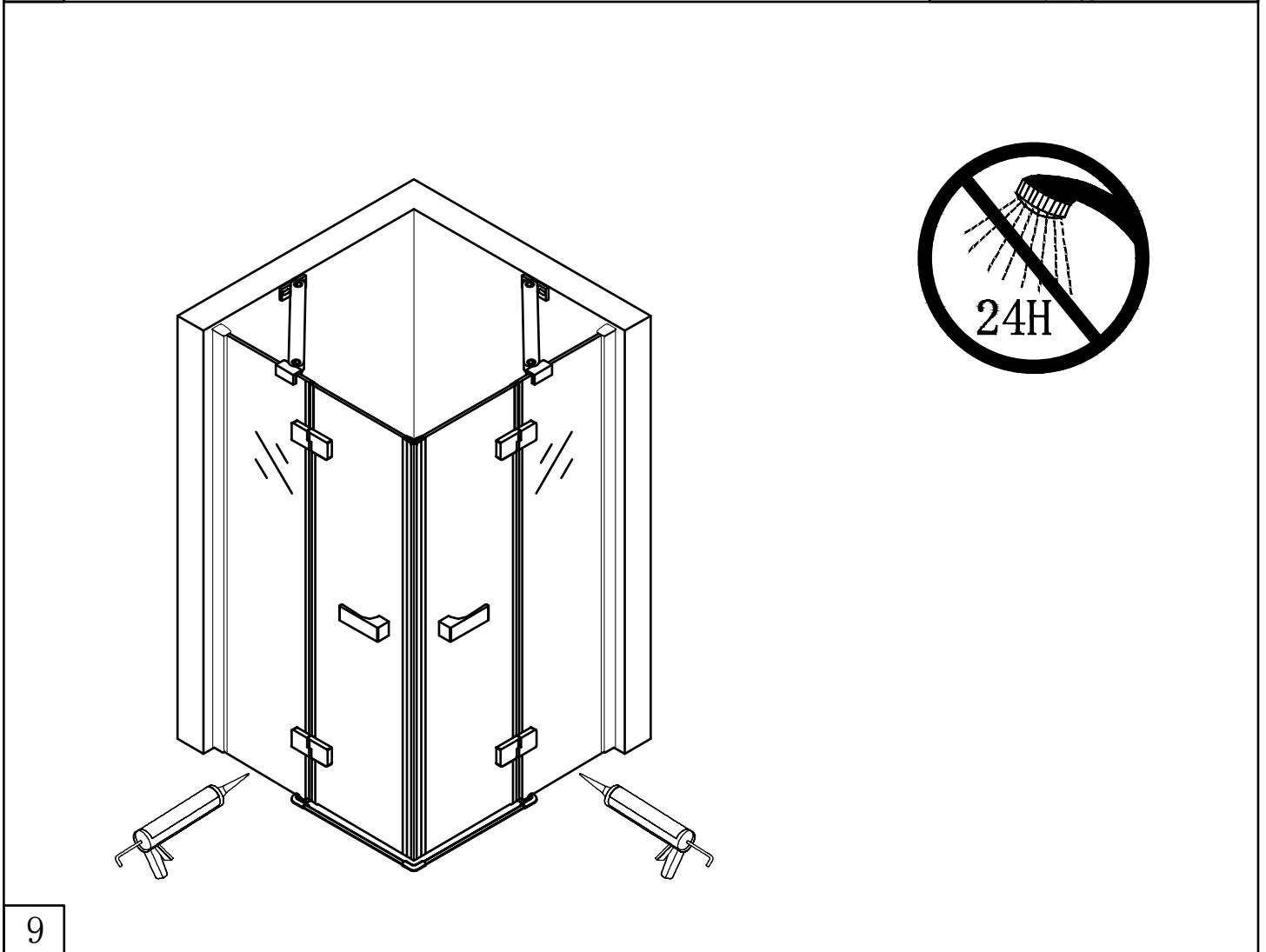


3

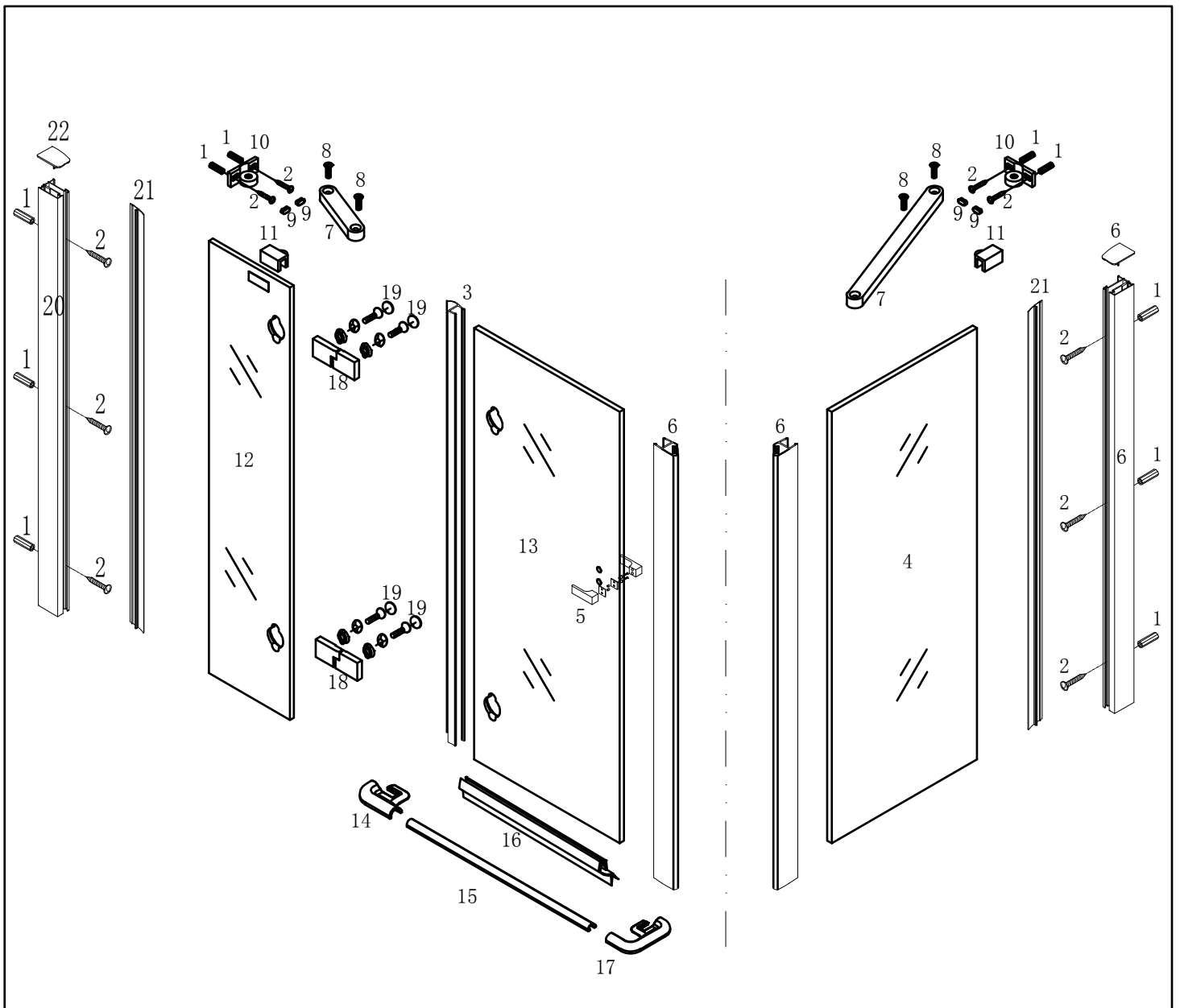




8

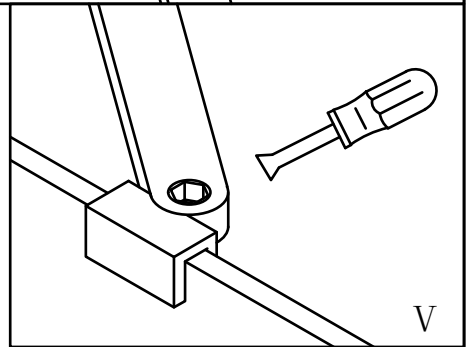
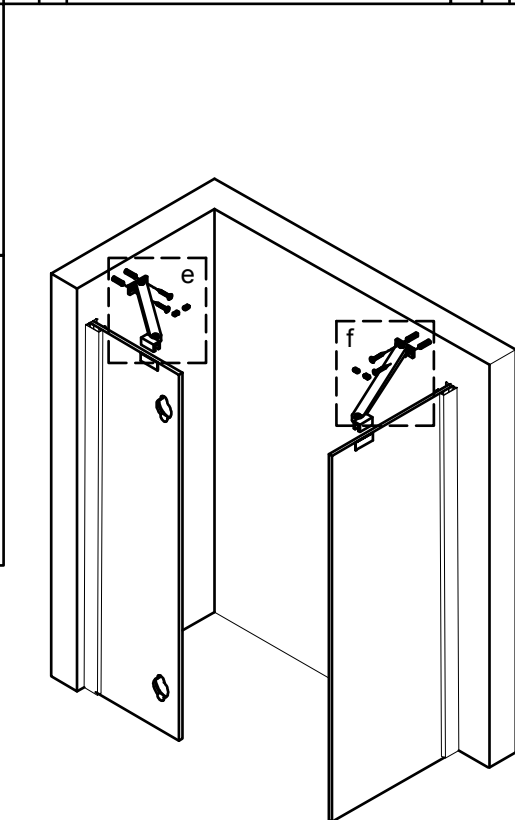
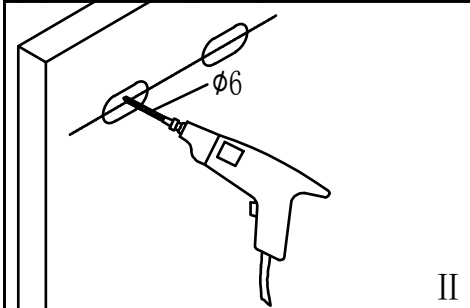
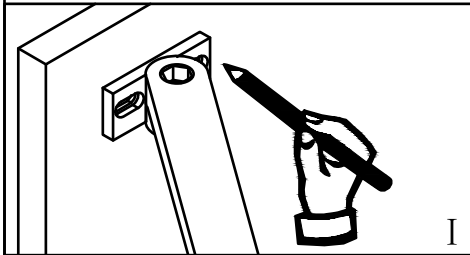
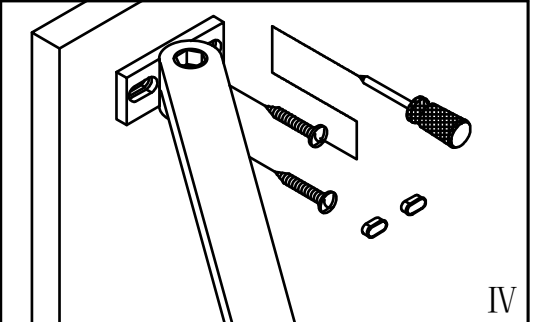
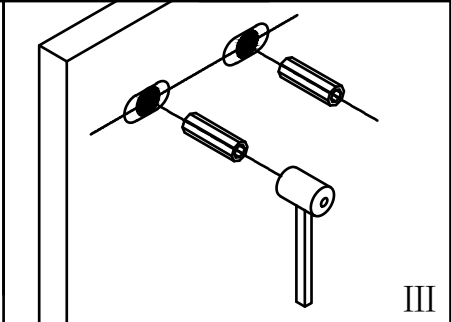
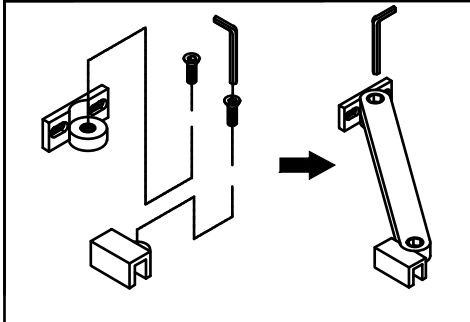
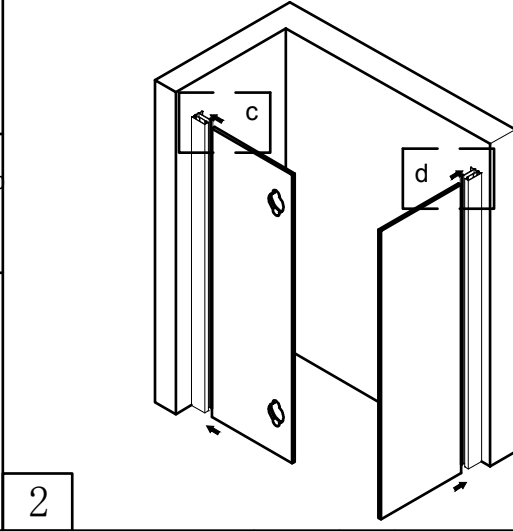
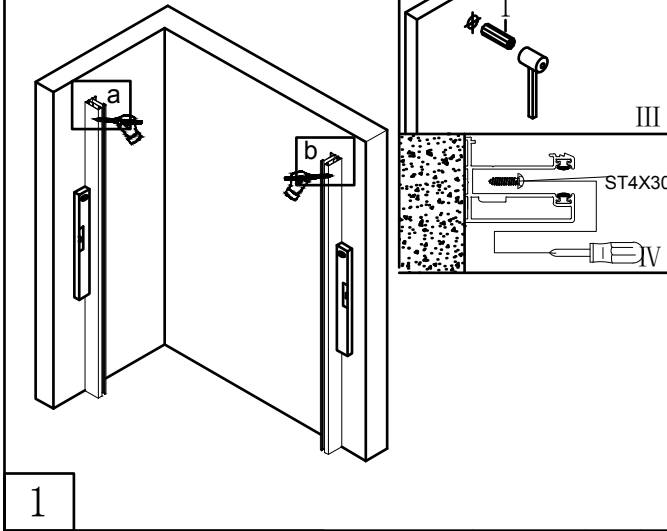
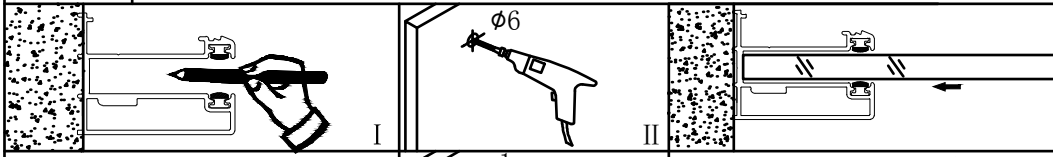
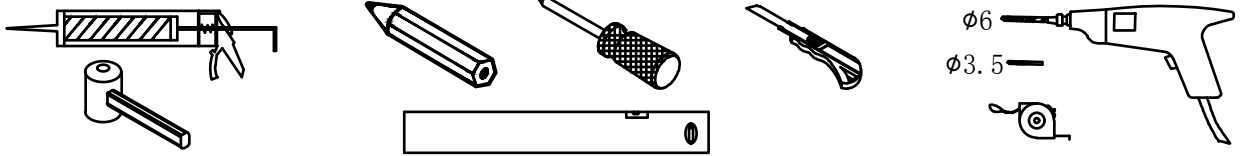


9

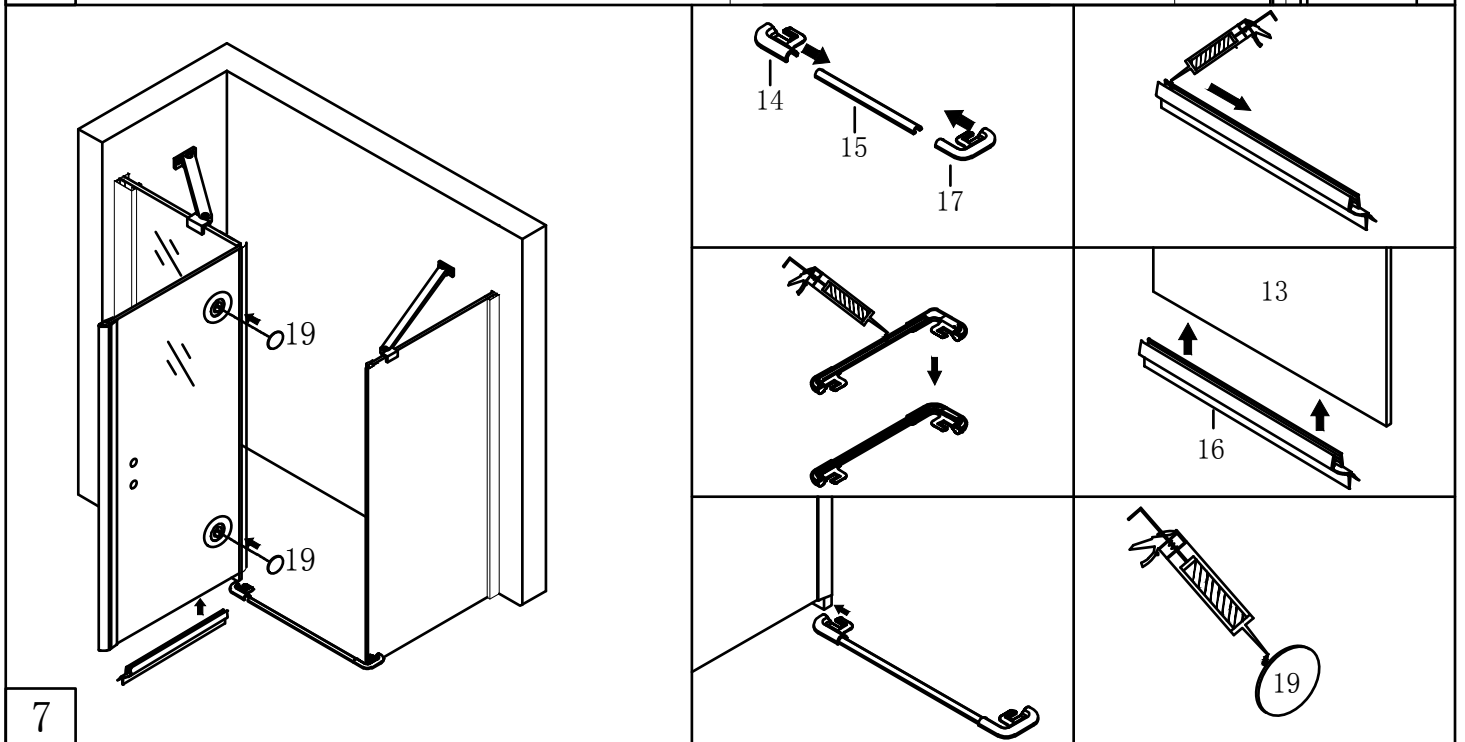
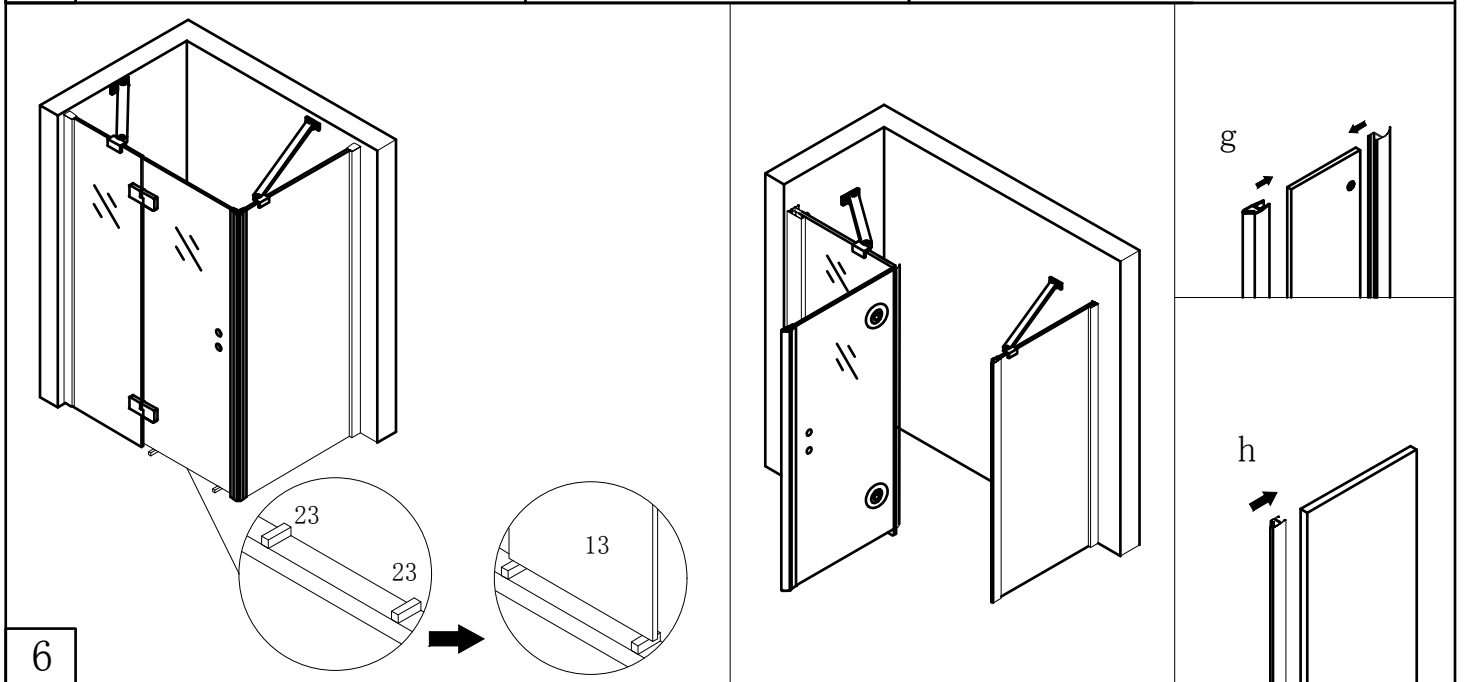
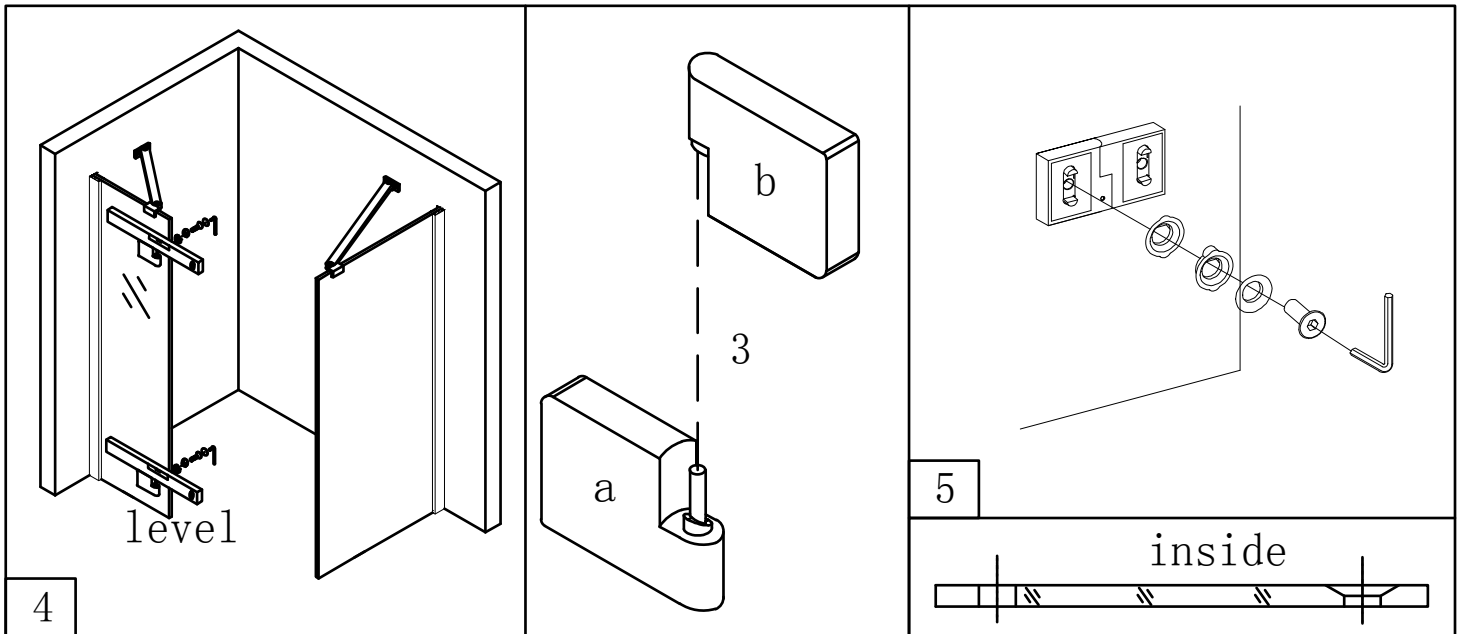


1	 5+5Pcs	2	ST4X30  5+5Pcs	3	 1Pc	4	 1Pcs	5	 1Pc	6	 1+1Pc	
7	 1+1Pc	8	 2+2Pcs	9	 2+2Pcs	10	 1+1Pc	11	 1+1Pc	12	 1Pc	
13	 1Pc	14	 1Pc	15	 1Pc	16	 1Pc	17	 1Pc	18	 2Pcs	
19	 4Pcs	20	 1+1Pc	21	 1+1Pc	22	 1+1Pc	23	 2Pcs			

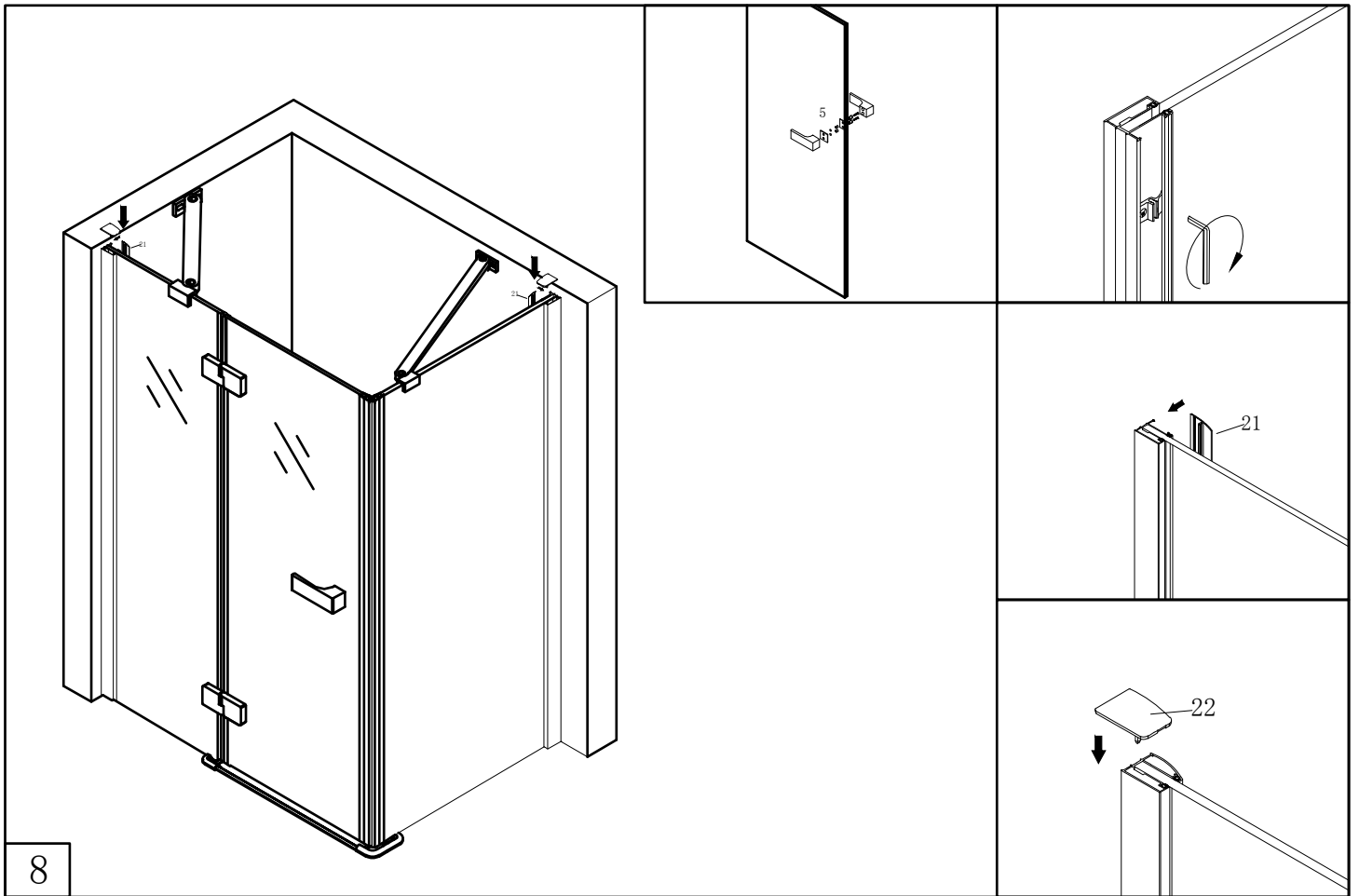
Tools:



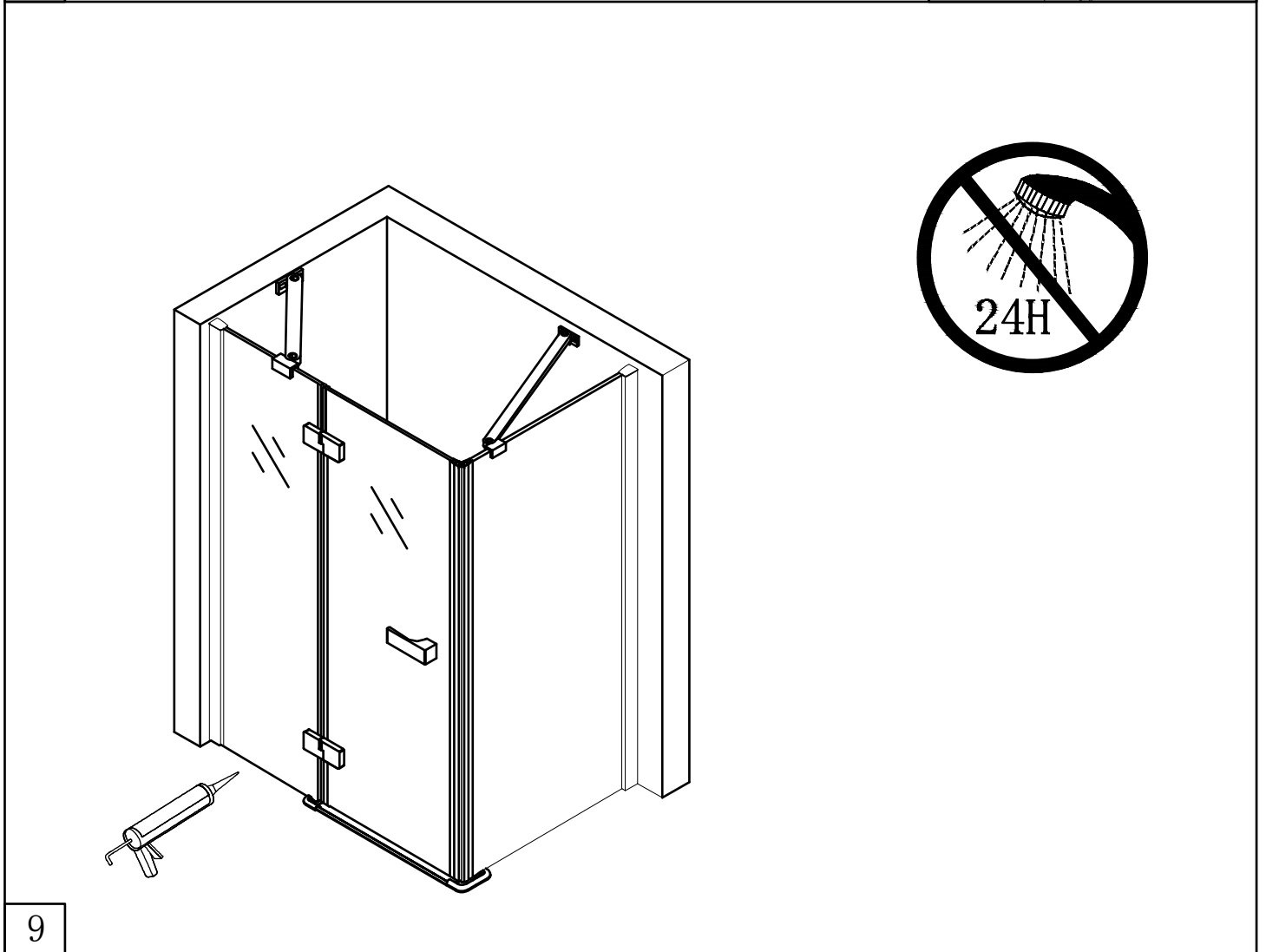
3







8



9



Nesměřice 52  
285 22 Zruč nad Sázavou  
Česká republika

tel.: +420 327 585 981

fax: +420 327 585 989

[www.polysan.net](http://www.polysan.net)