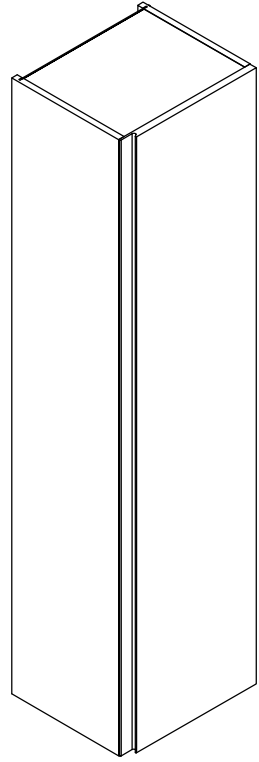
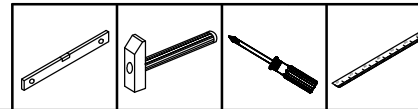
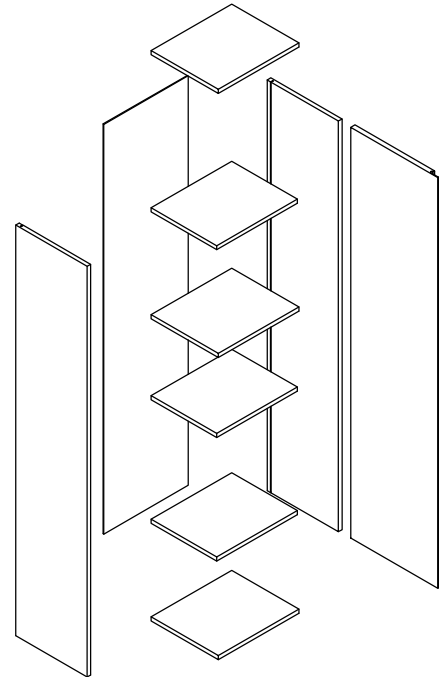


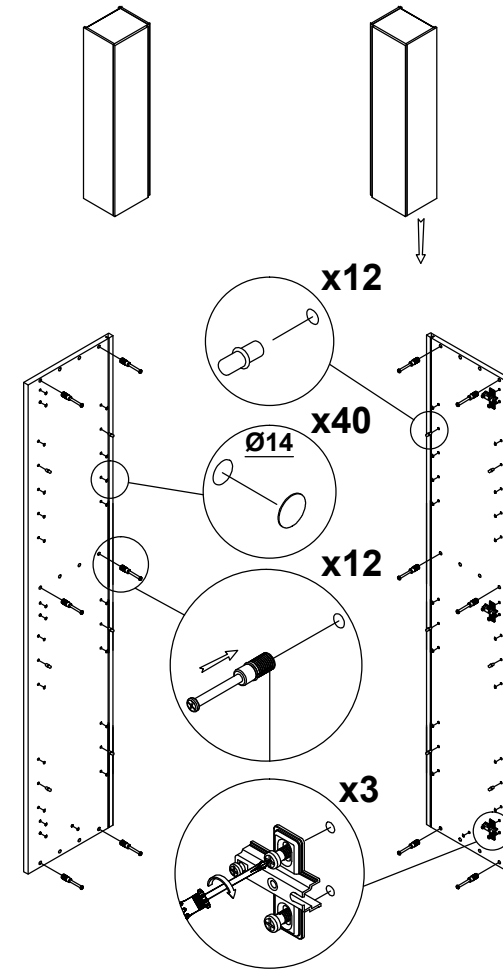
cersanit



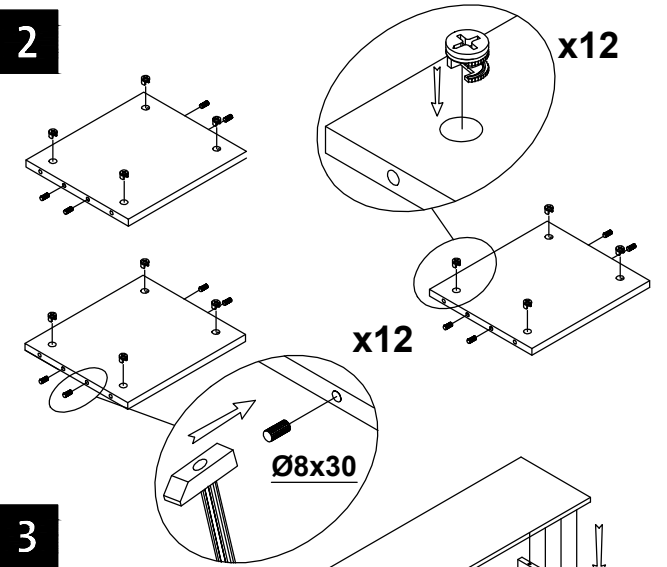
| | | | | | | | | |
|-----|---------|-----------|------------|-----|---------|---------|-------------|----------|
| x12 | Ø15 x12 | x2 | x4 | x1 | Ø20 x12 | Ø14 x40 | Ø1.2x20 x20 | Ø4x16 x6 |
| x3 | x3 | Ø8x30 x12 | Ø4.2x40 x4 | x12 | x1 | | | |



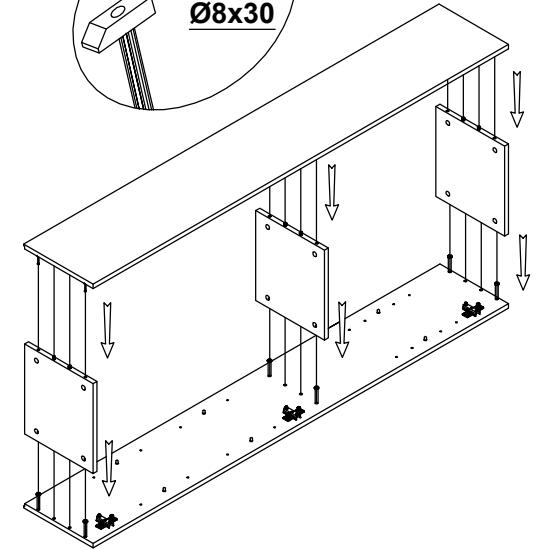
1



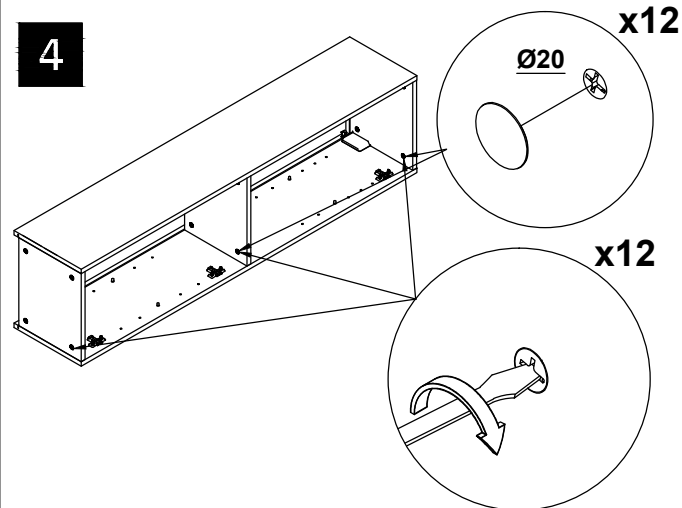
2



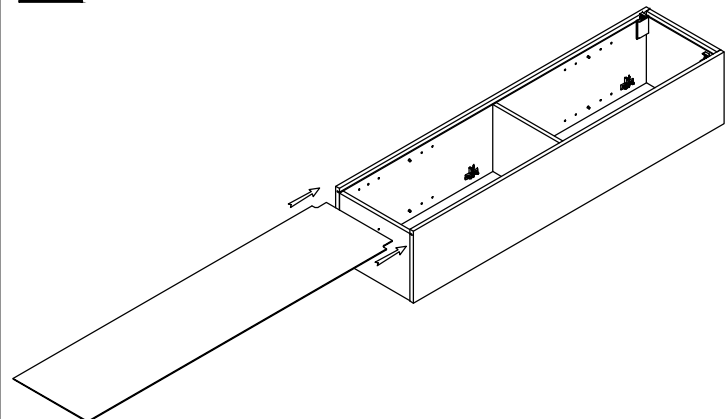
3



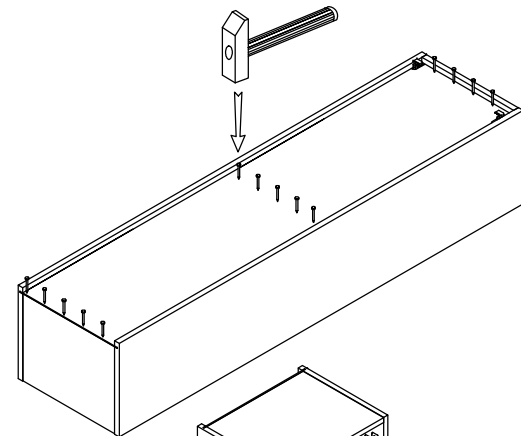
4



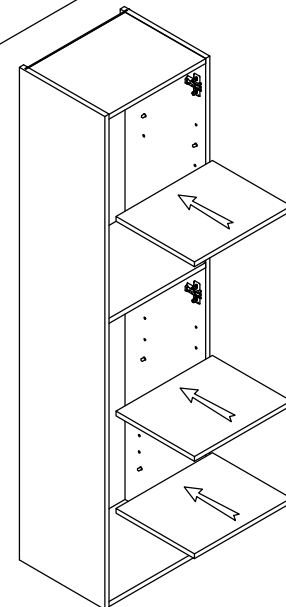
5



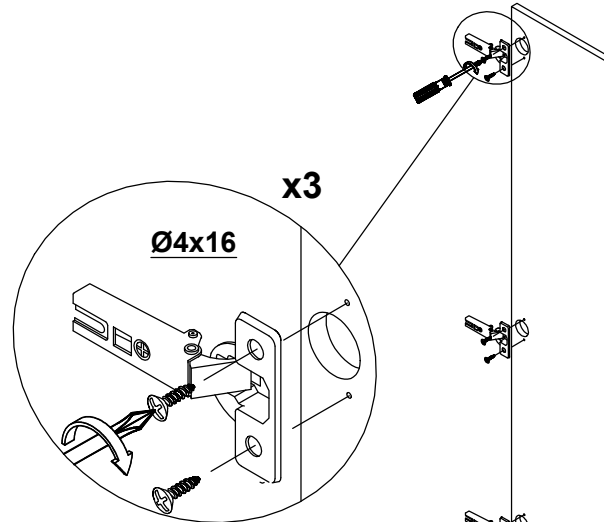
6



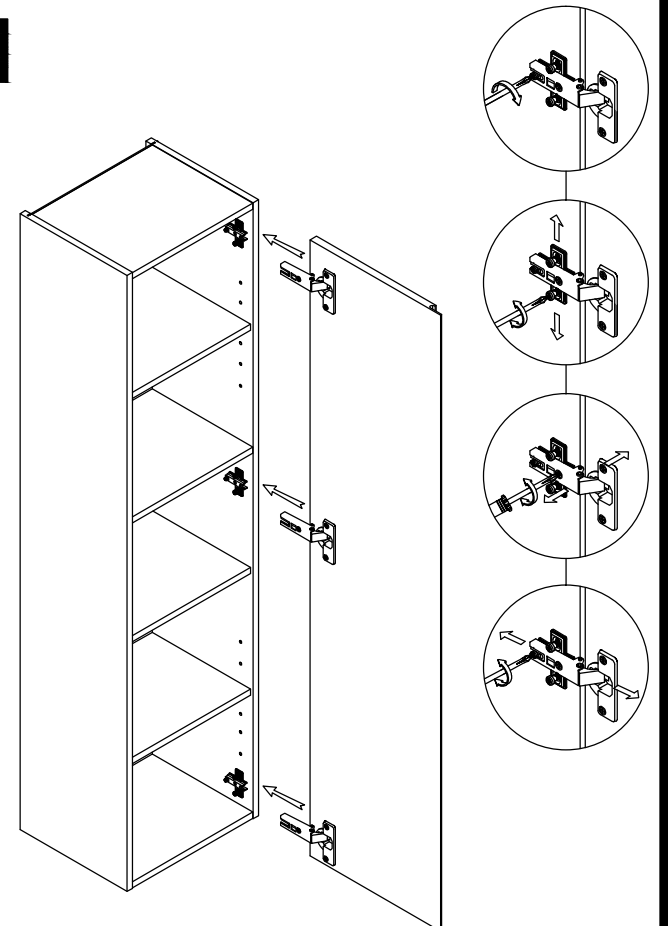
7



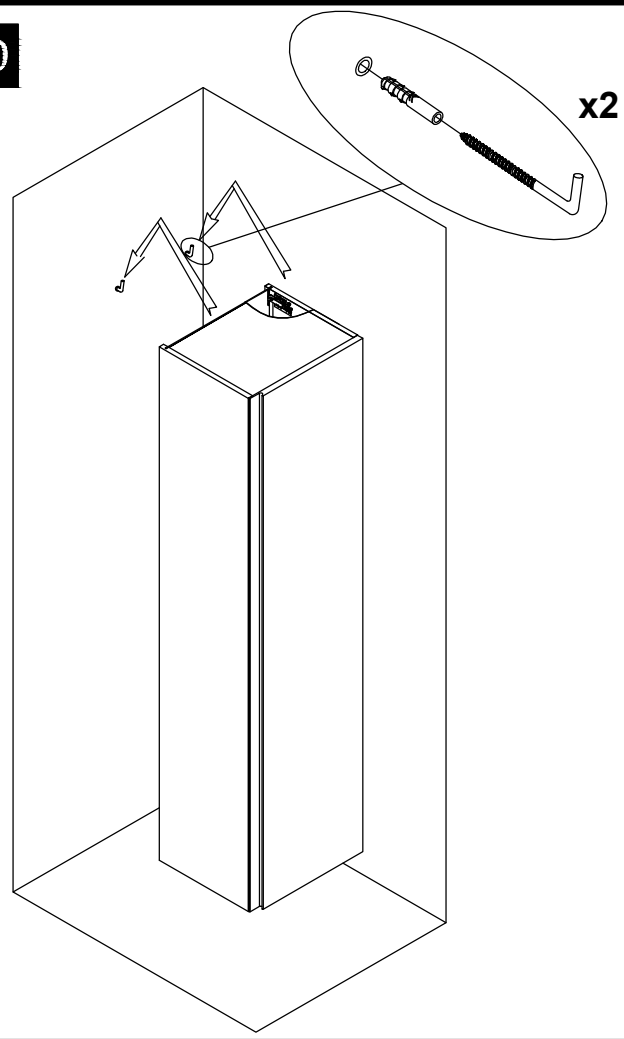
8



9



10



11

