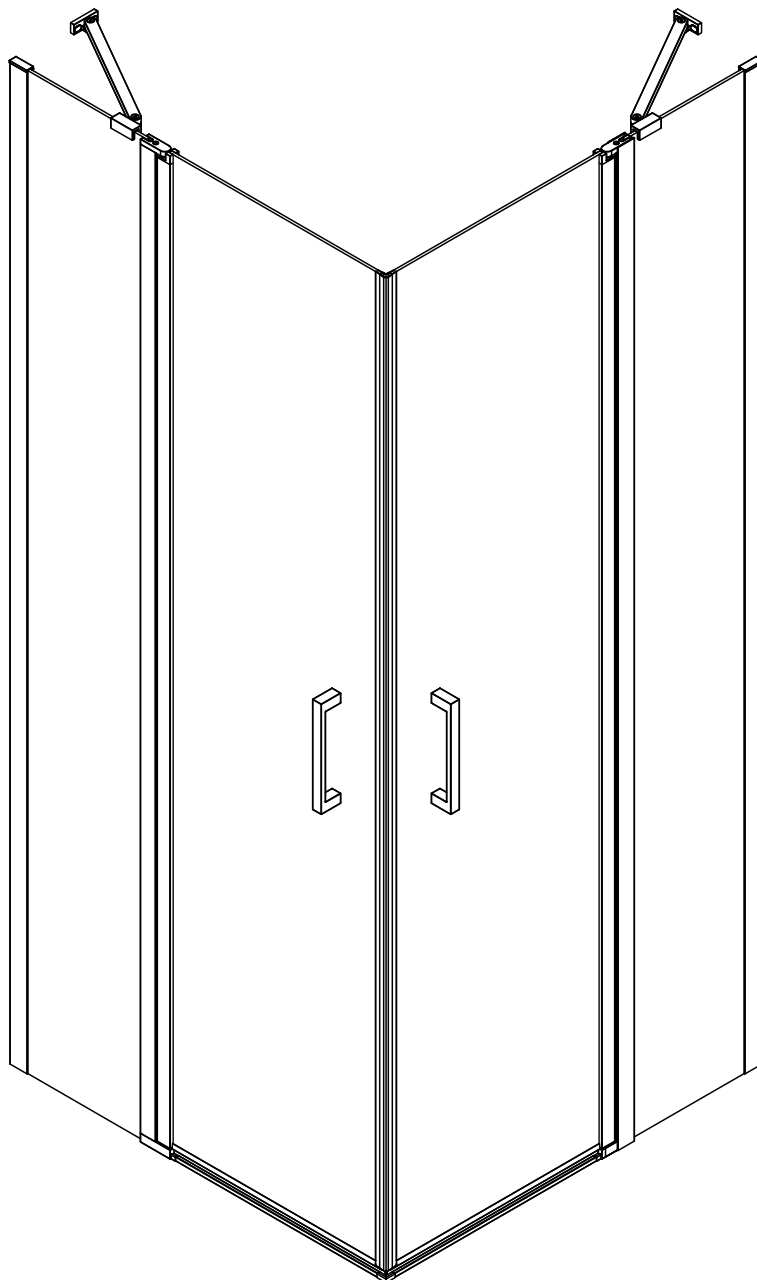


montážní návod / installation instruction

GN4880/GN4890/GN4810



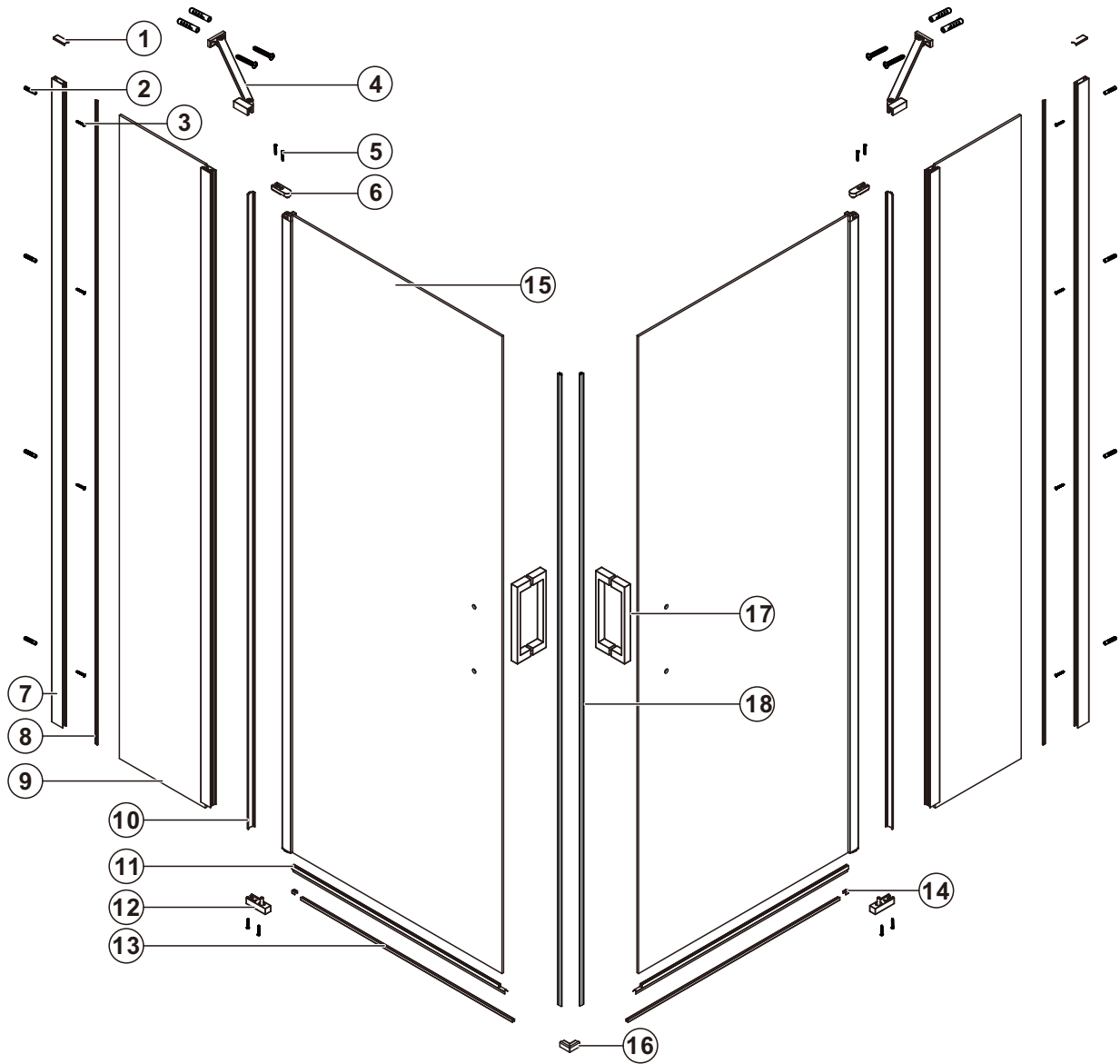
EN14428
Glass shower enclosure
cleaning efficiency: conforming
impact resistance: conforming
operating life: conforming

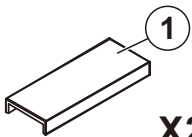
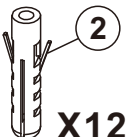
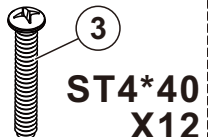
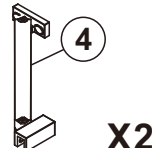
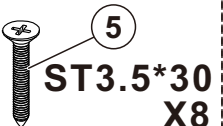
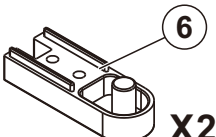
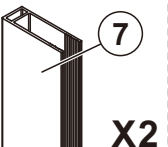
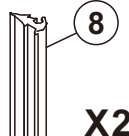
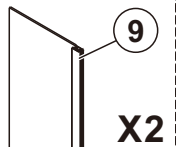
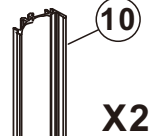
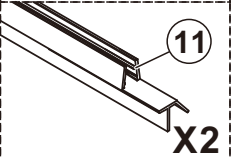
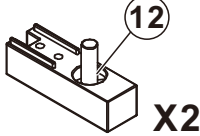
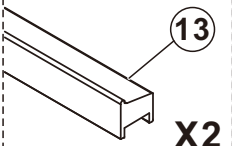
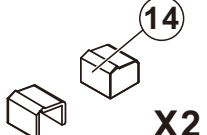
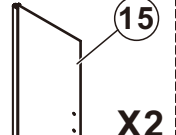
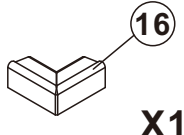
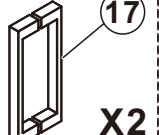
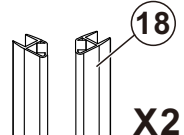
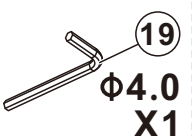
Skleněné sprchové zástěny
schopnost: vyhovuje
odolnost proti nárazu: vyhovuje
životnost: vyhovuje

The logo for GELCO, consisting of a stylized 'G' made of two overlapping squares (one orange, one blue) followed by the word 'GELCO' in a bold, blue, sans-serif font.

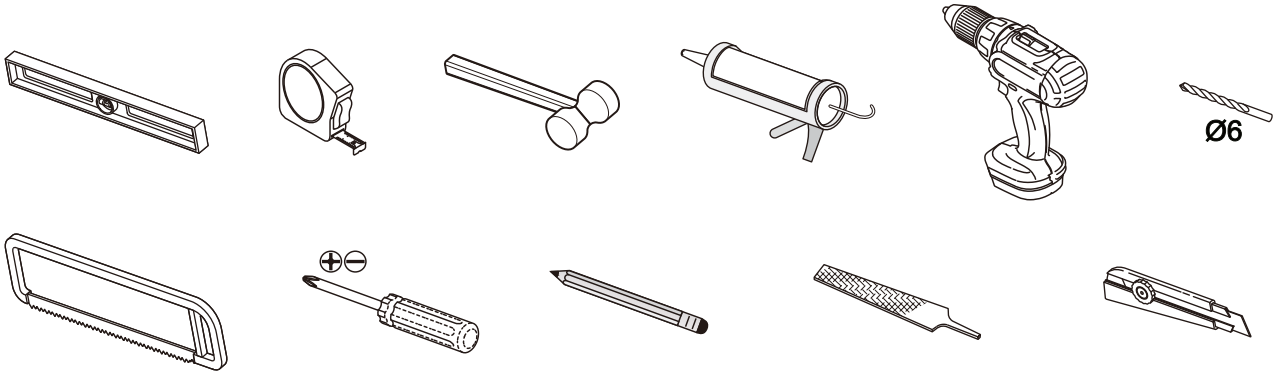
GELCO s.r.o., Makovského 1341, 163 000 Praha 6

PARTS LIST



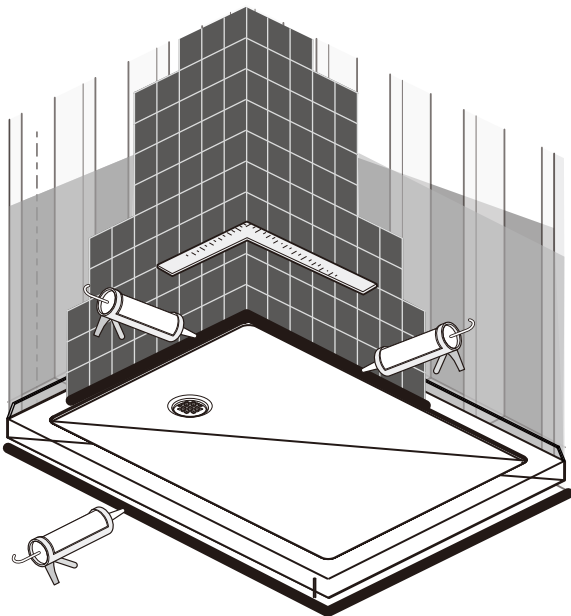
| | | | | | |
|---|---|---|--|--|---|
|  1 X2 |  2 X12 |  3 ST4*40 X12 |  4 X2 |  5 ST3.5*30 X8 |  6 X2 |
|  7 X2 |  8 X2 |  9 X2 |  10 X2 |  11 X2 |  12 X2 |
|  13 X2 |  14 X2 |  15 X2 |  16 X1 |  17 X2 |  18 X2 |
|  19 Φ4.0 X1 | | | | | |

TOOLS

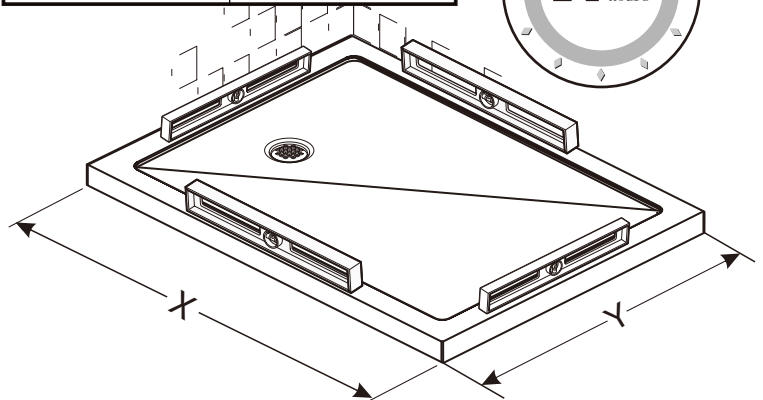


INSTALLATION

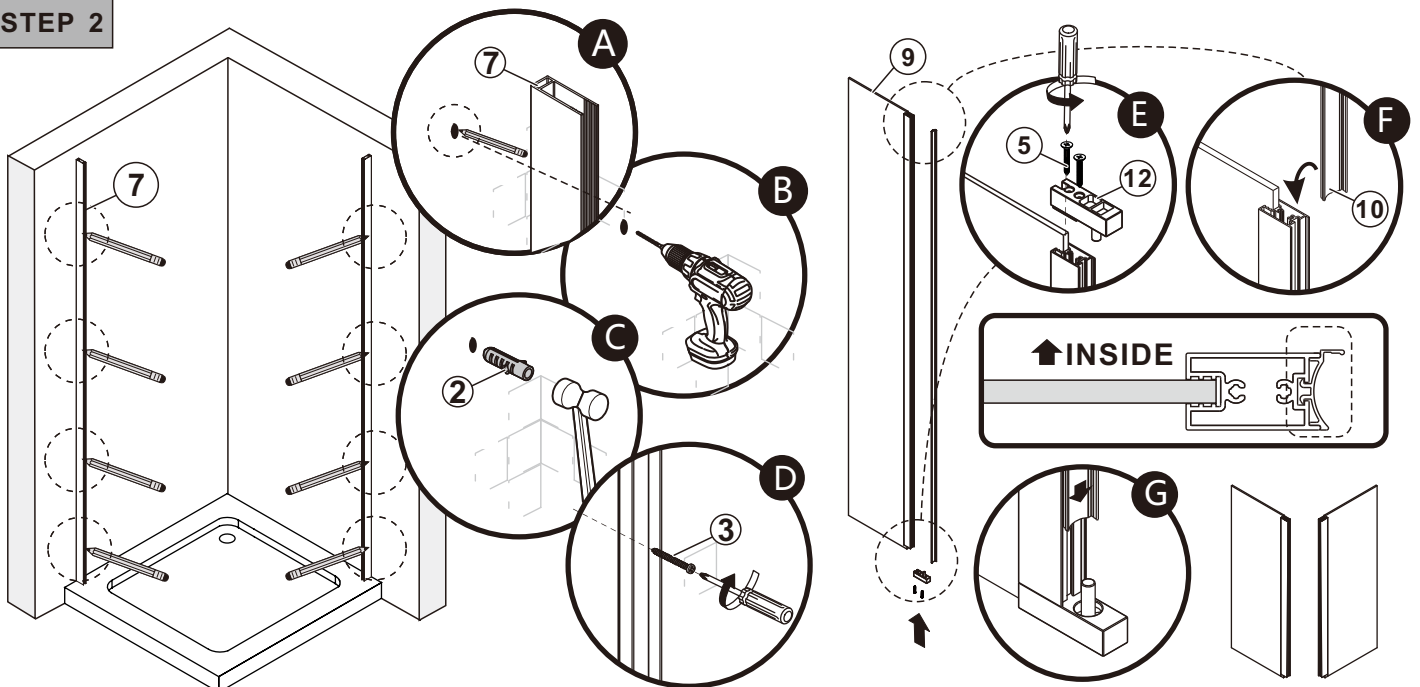
STEP 1



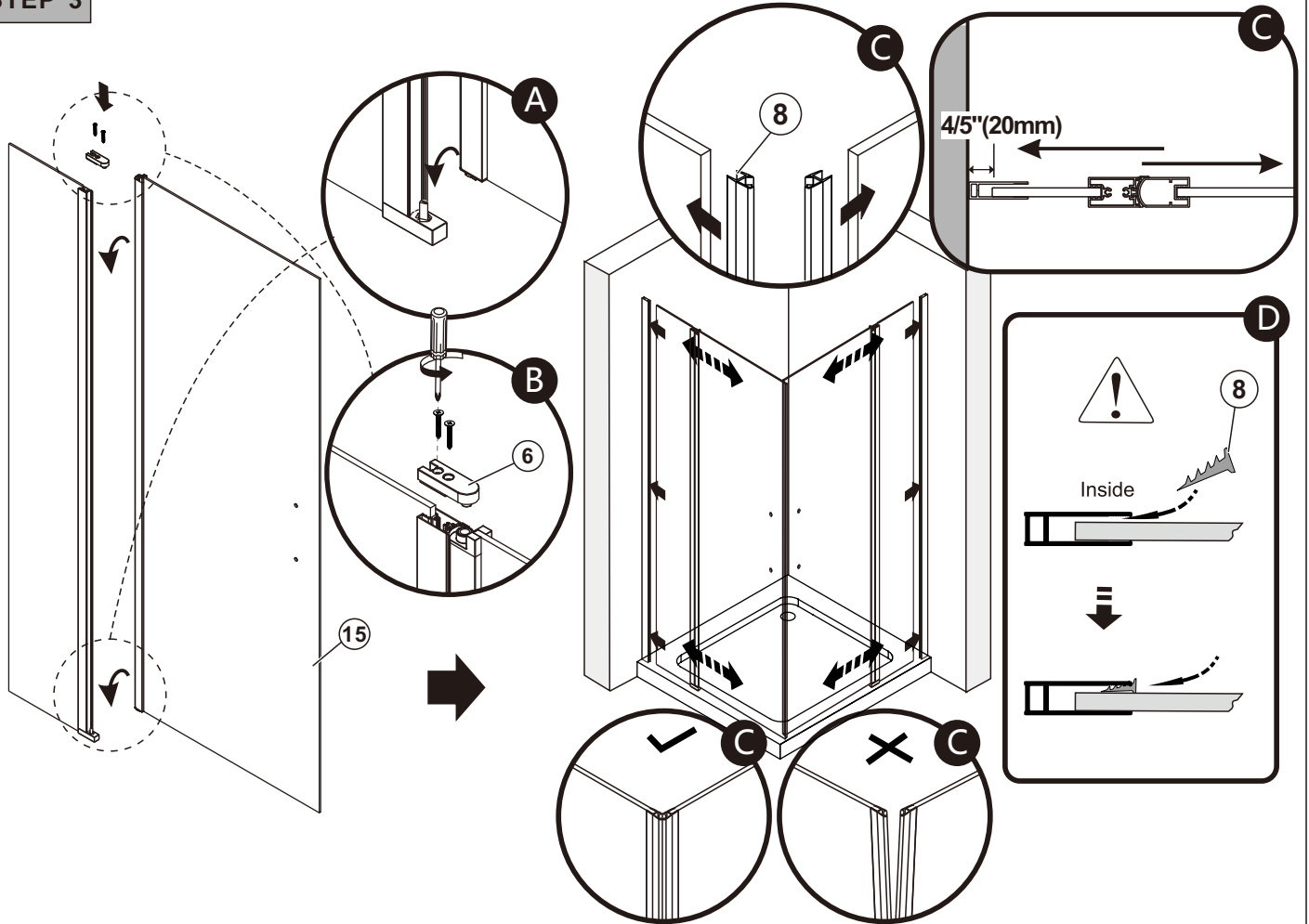
| SIZE | X/Y,mm |
|-----------|----------|
| 800X2000 | 780~800 |
| 900X2000 | 880~900 |
| 1000X2000 | 980~1000 |



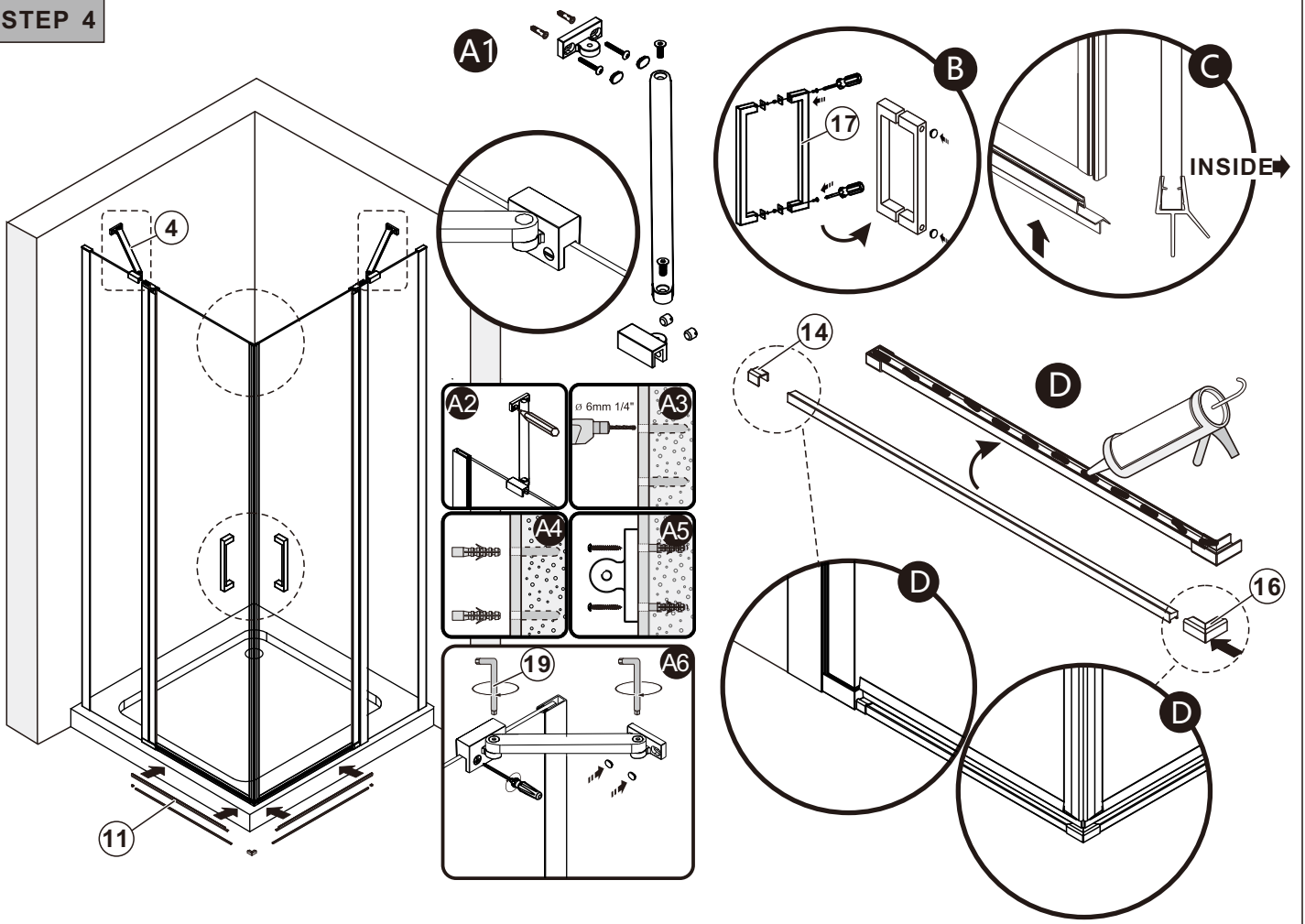
STEP 2



STEP 3



STEP 4



STEP 5

