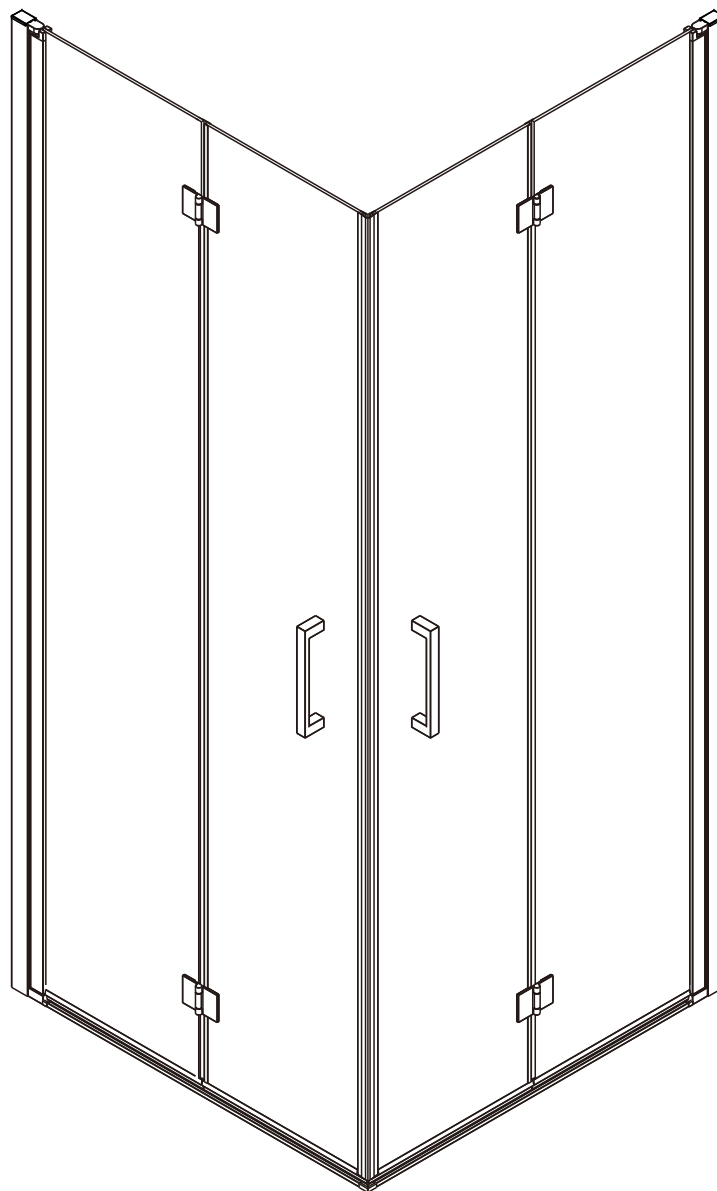


# montážní návod / installation instruction

## GN4770/GN4780/GN4790



EN14428

Glass shower enclosure  
cleaning efficiency: conforming  
impact resistance: conforming  
operating life: conforming

Skleněné sprchové zástěny  
schopnost: vyhovuje  
odolnost proti nárazu: vyhovuje  
životnost: vyhovuje

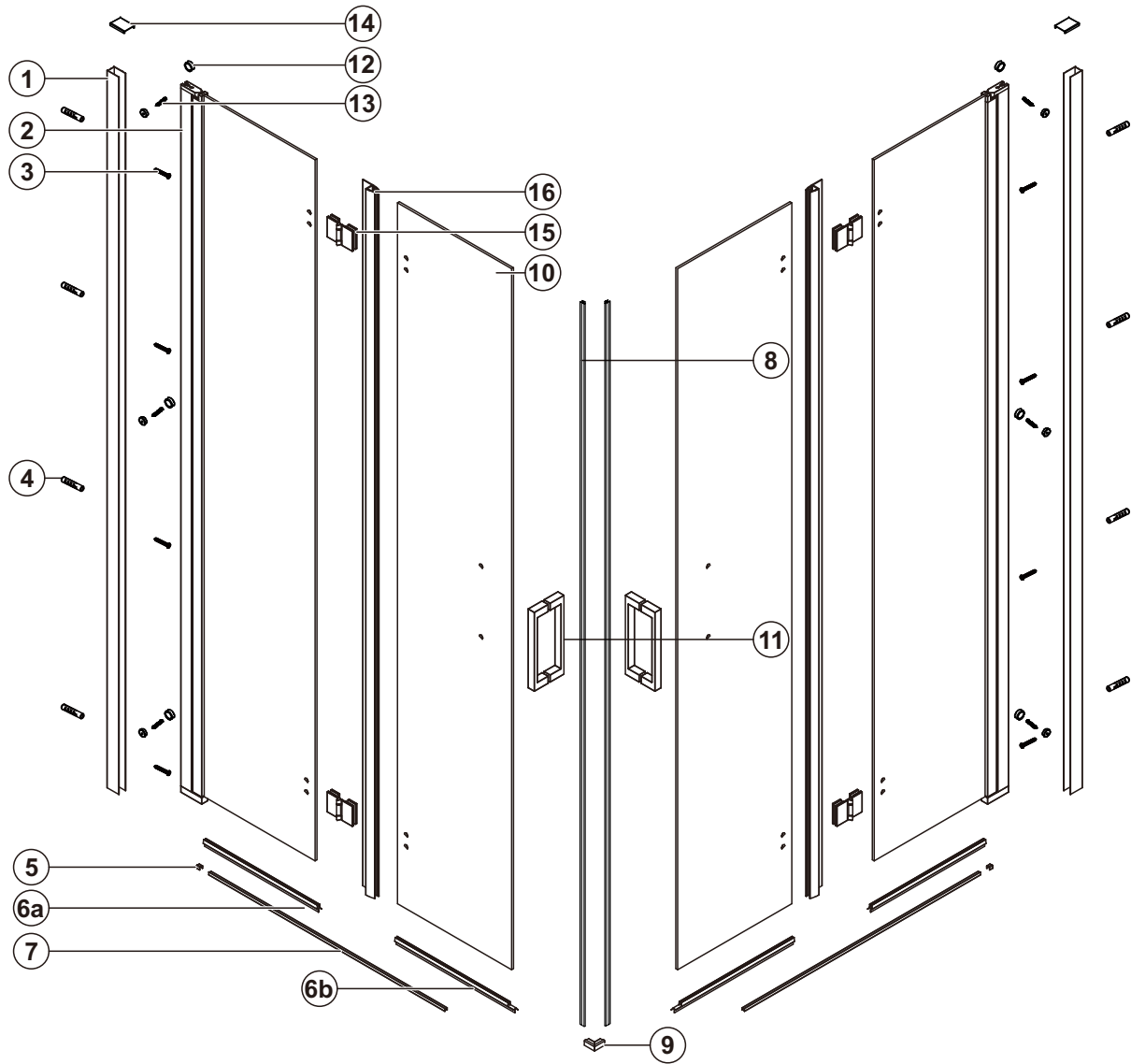
The logo for GELCO, featuring a stylized 'G' composed of two horizontal bars (top orange, bottom blue) followed by the word 'GELCO' in a bold, blue, sans-serif font.

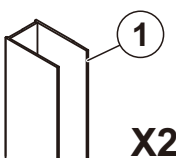
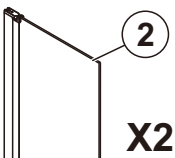
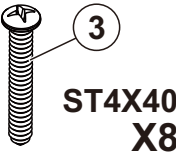
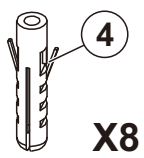
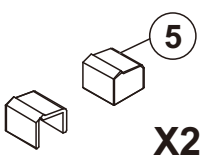
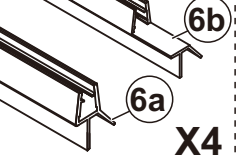
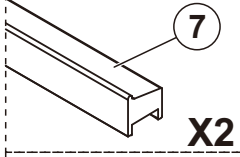
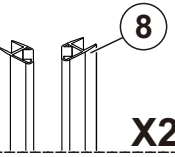
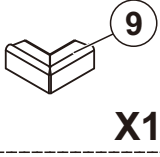
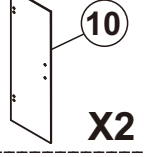
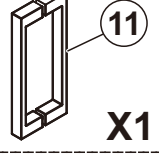
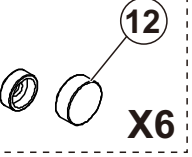

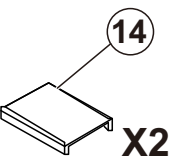
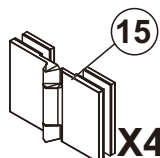
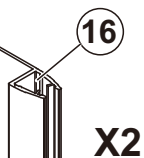
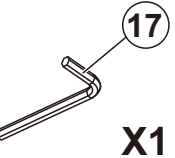
---

GELCO s.r.o., Makovského 1341, 163 000 Praha 6

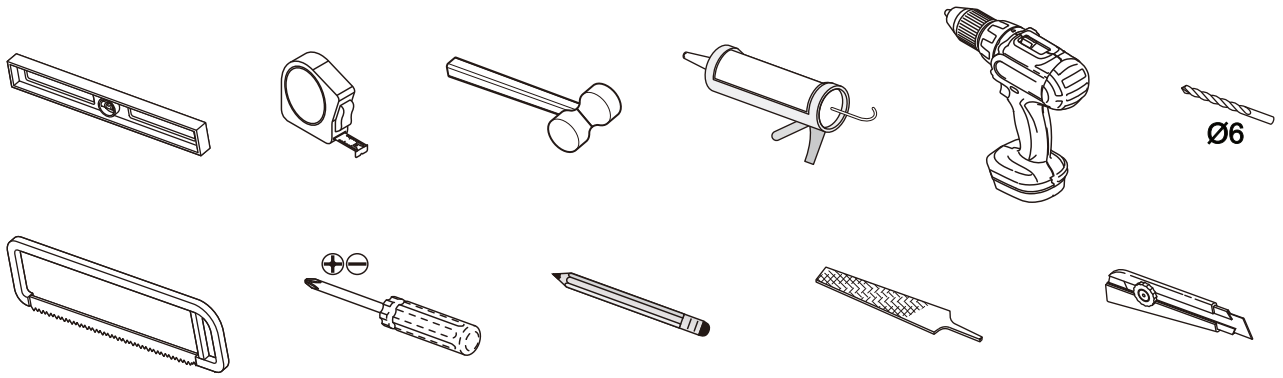
---

# PARTS LIST



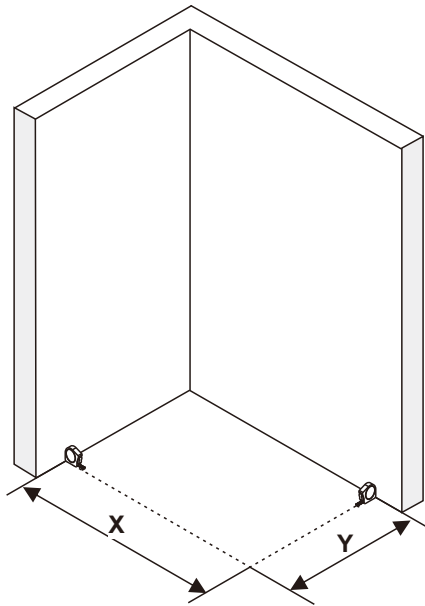
 <p>1 X2</p>	 <p>2 X2</p>	 <p>3 ST4X40 X8</p>	 <p>4 X8</p>	 <p>5 X2</p>	 <p>6a 6b X4</p>
 <p>7 X2</p>	 <p>8 X2</p>	 <p>9 X1</p>	 <p>10 X2</p>	 <p>11 X1</p>	 <p>12 X6</p>
 <p>13 ST4X13 X6</p>	 <p>14 X2</p>	 <p>15 X4</p>	 <p>16 X2</p>	 <p>17 X1</p>	

# TOOLS



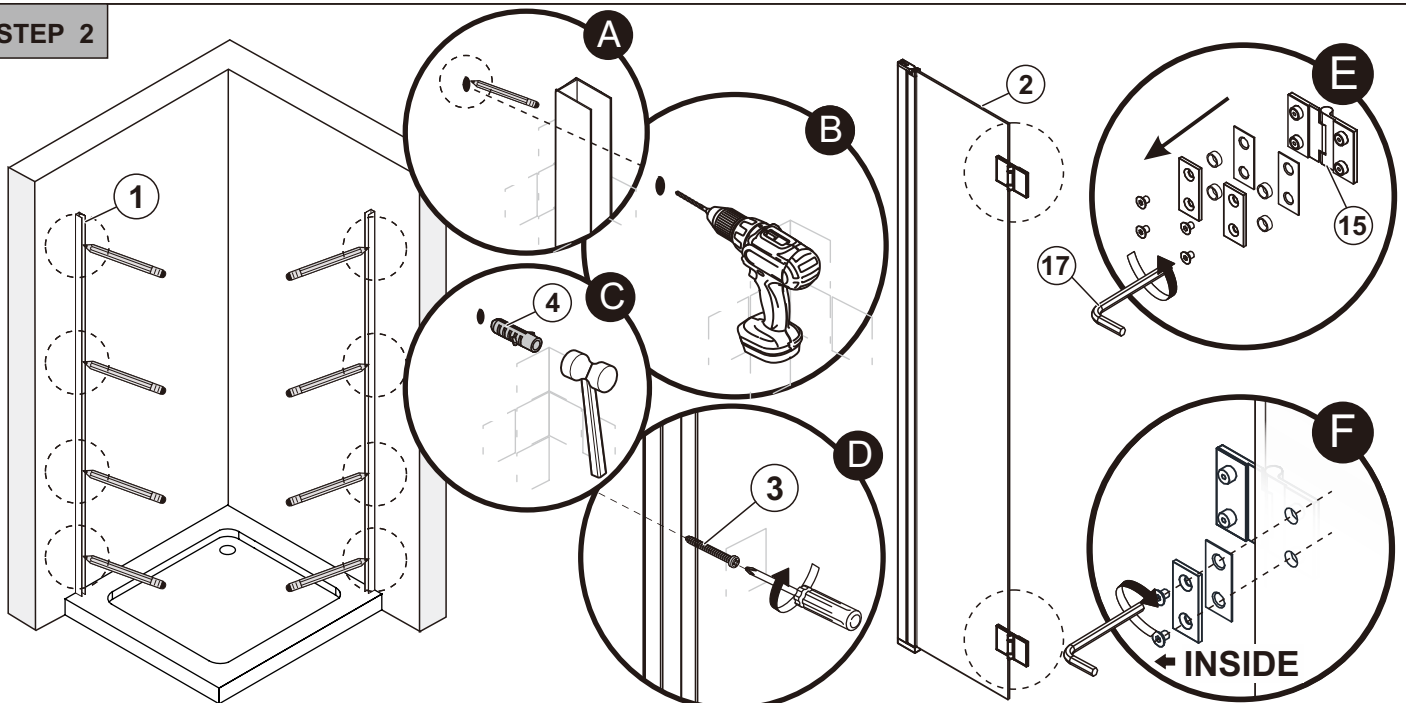
# INSTALLATION

## STEP 1

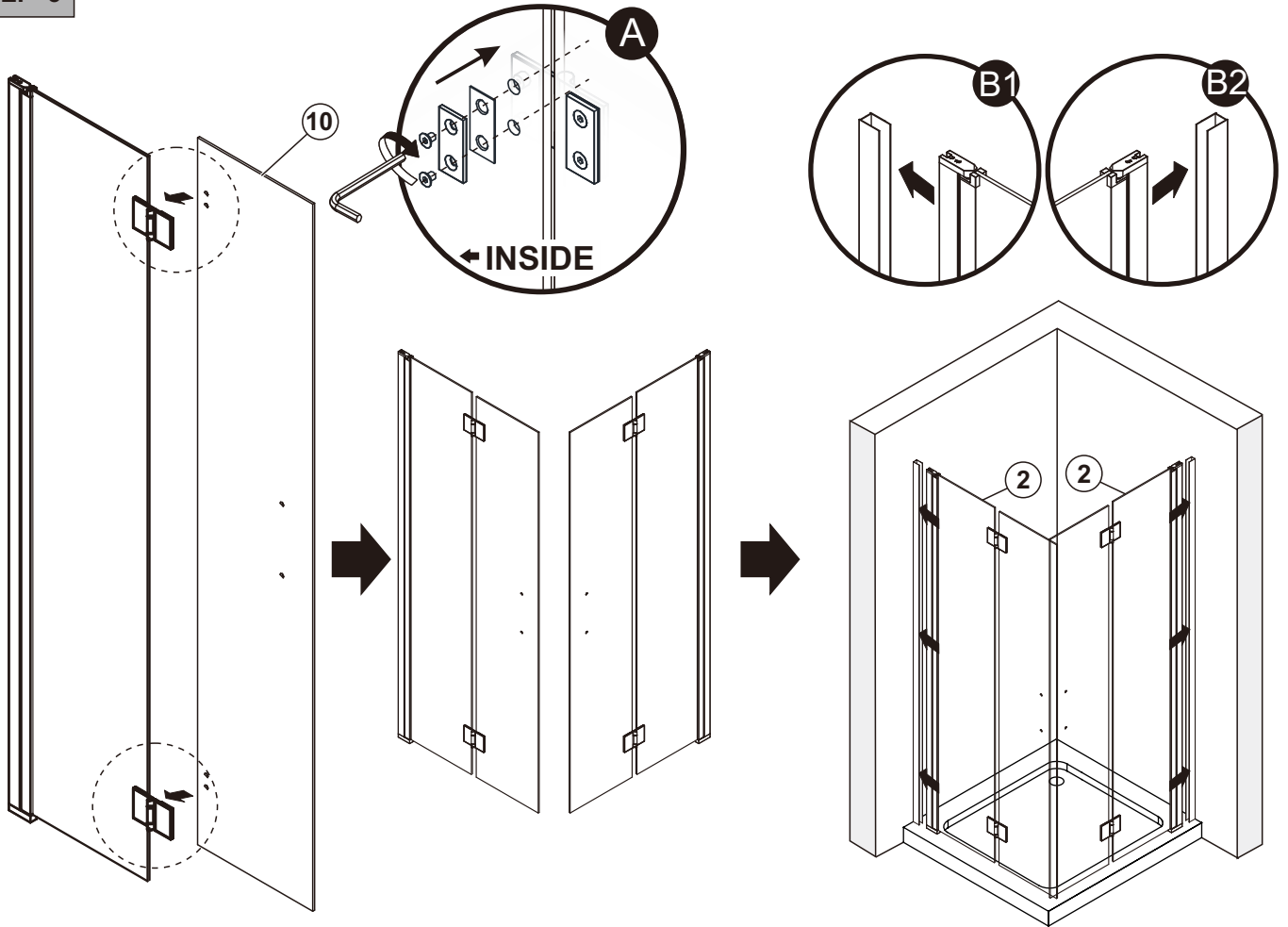


SIZE	X/Y,mm
700X2000	680~700
800X2000	780~800
900X2000	880~900

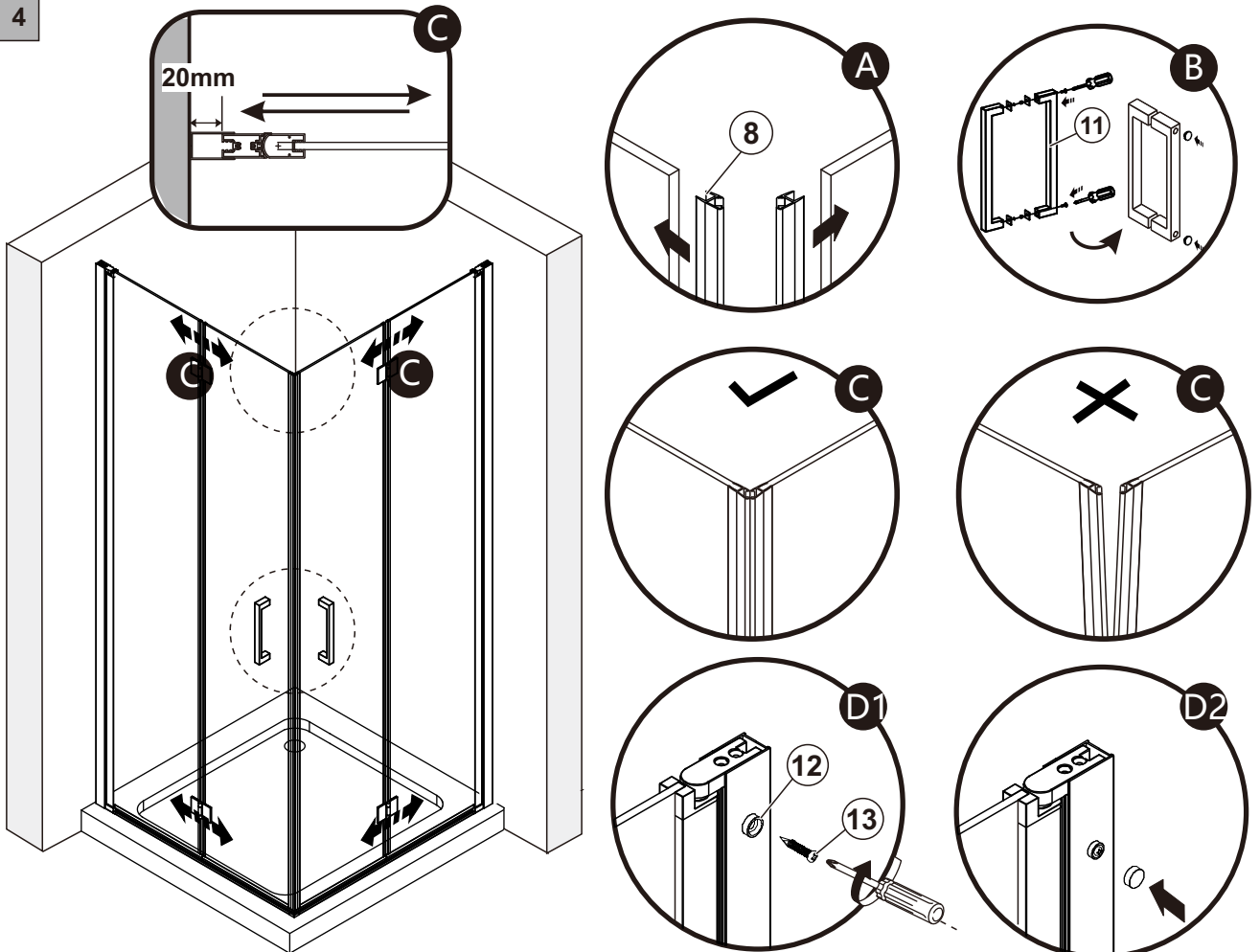
## STEP 2



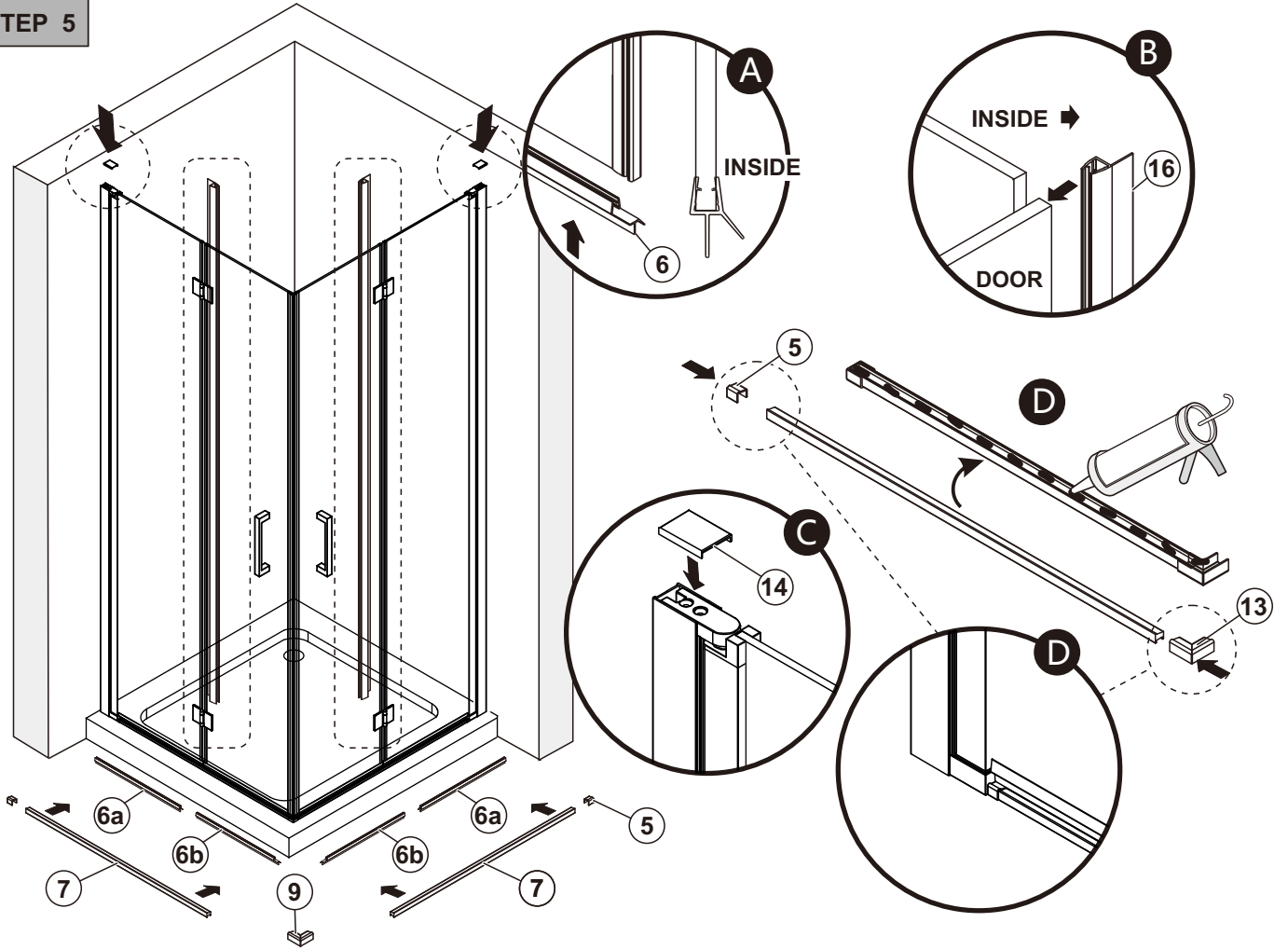
STEP 3



STEP 4



**STEP 5**



**STEP 6**

